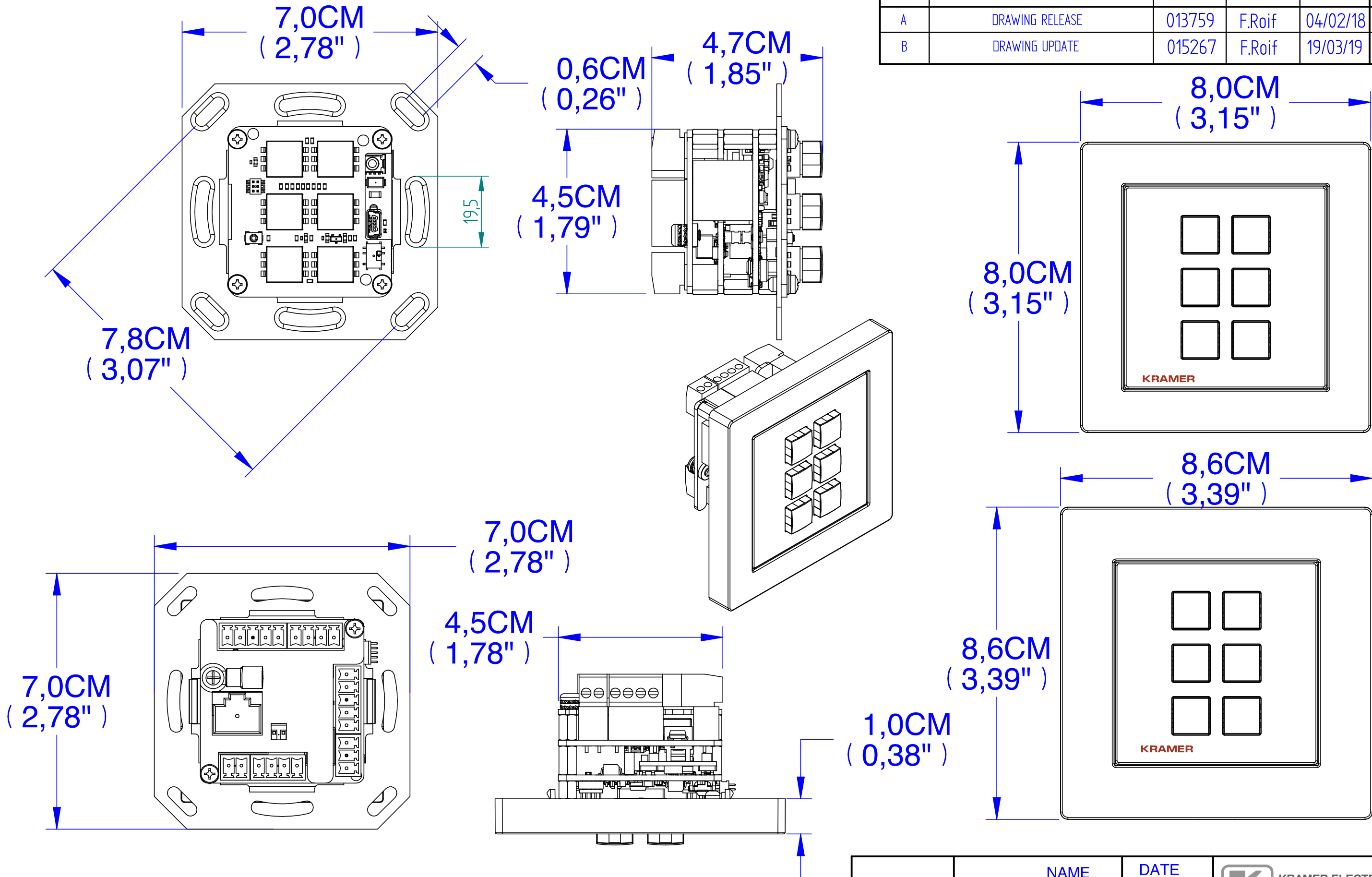

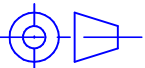


REV.	DESCRIPTION	ECO NO.	UPDATE BY	DATE	APPROVED
A	DRAWING RELEASE	013759	F.Roif	04/02/18	RADU N.
B	DRAWING UPDATE	015267	F.Roif	19/03/19	RADU N.



	NAME	DATE	 KRAMER ELECTRONICS LTD. JERUSALEM, ISRAEL	
DRAWN	froif	20/03/19		
APPROVED	RADU N.	20/03/19		
SHEET 1 OF 1	Project : RC-306E/RC-206E		SIZE A3	KRAMER DRW.: OL000192
				REV. B