

NEC Collaboration Soundbar

All-in-One Collaboration Solution

The universal conferencing solution for smaller meeting rooms.

With the NEC Collaboration Soundbar, your display becomes the perfect solution for video conferencing spaces. Widen the objectives of your meeting and enhance your display with audio and video capability at highest standards.



Depending on the model vertical position of camera might slightly differ

Delivering Genuine Benefits

- **Facilitate productive communication** – all components necessary for efficient video conferencing can be included: camera, microphone and speaker
- **Flexible configuration to fit your need** – hardware set-up as of your requirements to meet your individual meeting room demand
- **Designed to just work** – without driver installation, this is a real ready to go plug and play solution
- **Universal mounting approach** – maximum installation flexibility with different brackets available: included wall mount or an optional VESA mount
- **A commitment to quality** – 3 years warranty and 24/7 ready operation to meet long-term demands ensuring peace of mind

Components

Conferencing Speakers



Depending on the model vertical position of camera might slightly differ

- The ultra-low distortion speakers deliver excellent speech intelligibility, whether using the active or passive variant.
- To provide a crisp audio, the solid MDF cabinet effectively absorbs potential disturbances from vibrations.
- The wide dispersion of the speakers extends the sweet spot to anywhere in the room, transmitting the spoken word with perfect clarity to the participants of web or telephone conferences and remote meetings.

Video Conference Camera & Microphones and Echo-Cancelling



Video Conference Camera

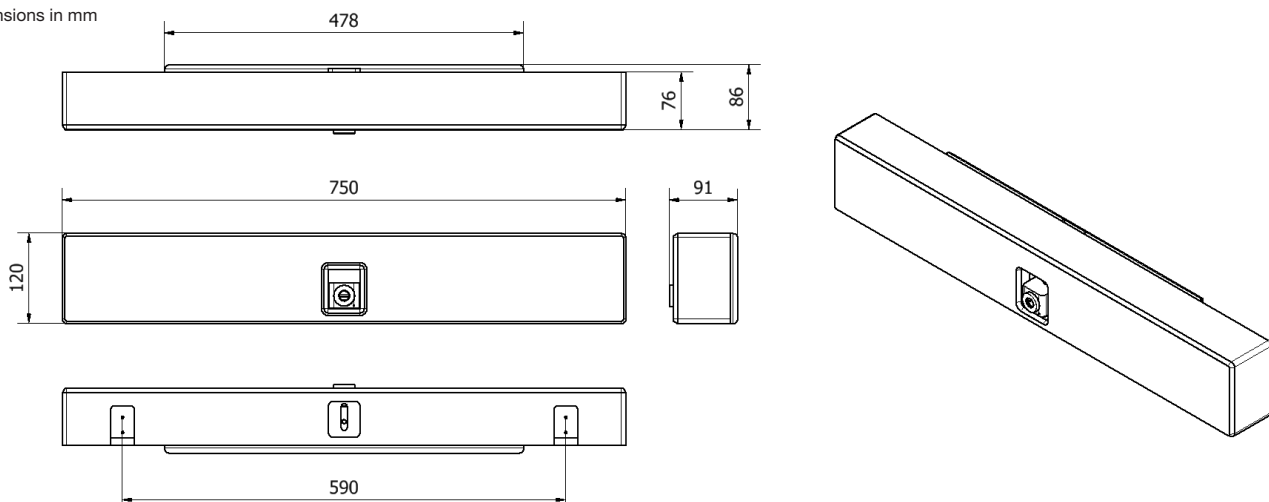
- Encompass the entire meeting room with 120° viewing angle
- Perfect viewing at any distance, whether standing in front or sitting at the back
- Auto-adapts to any lighting condition

Microphones and Echo-Cancelling

- Exceptional audio clarity in meeting environments with two built-in microphones, providing increased pick up quality via directional beamforming.
- Maximised echo-free audio quality with integrated noise- and echo-cancelling system to filter out disruptive audio signals.

Technical Drawings

Dimensions in mm



Outline dimensions for reference purpose only. Depending on the model the actual vertical position of the camera might slightly differ

Technical Specifications

Product Information				
Product Name	SP-PSCM	SPASCM-2	SP-PSCM-IQ	SP-ASCM-IQ2
Product Group	Passive Collaboration Soundbar	Active Collaboration Soundbar	Passive Collaboration Soundbar	Active Collaboration Soundbar
Order Code	100015078	100015453	100015302	100015454
Conferencing Speakers				
Maximum Input [W]	40			
Rated Speaker Impedance [Ω]	8			
Frequency Response Range	70 Hz to 15 kHz			
Sound Pressure Level	82.1 dB (2.83 V)			
Mechanical				
Net Dimensions (W x H x D) [mm]	750 x 120 x 86 (excl. camera)			
Net Weight [kg]	3,3	4,1	3,3	4,1
Packaging Gross Dimensions (W x H x D) [mm]	800 x 120 x 100 (incl. all components)			
Packaging Gross Weight [kg]	4,3	5,1	4,3	5,1
Video Conference Camera				
Product Name	Huddly GO		Huddly IQ	
Viewing Angle [°]	150 diagonal, 120 horizontal, 92 vertical		150 diagonal, 120 horizontal, 92 vertical	
Resolution	16 megapixel sensor		12 megapixel sensor	
Output	720p 30fps		1080p 30 fps, 720p 30 fps	
Aspect Ratio	16:9		16:9	
Optic	Digital Pan/Tilt/Zoom with 4x digital zoom		Digital Pan/Tilt/Zoom with 4x digital zoom	
Driver	Plug & Play driverless install		Plug & Play driverless install	
Connectivity	SuperSpeed USB 3.0		SuperSpeed USB 3.0	
Software Specification	Spatio-temporal noise filtering, high-quality video scaling and dewarping, flicker elimination, robust automatic white balance, optical aberration correction, 3DNR, sensor-model based visual noise reduction		3DNR, sensor-model based visual noise reduction, flicker elimination, genius framing, high-quality video scaling and dewarping, Huddly InSights analytics API, optical aberration correction, robust automatic white balance	
Echo-Cancelling				
Sampling Frequency	32 KHz			
Bandwidth	100 Hz - 16 KHz			
Echo Cancelling	2 levels (aggressiveness); 3 levels (echo cancelling speed)			
Controllable Lengths [mms]	up to 220			
Noise Supression	Residual noise suppressed to the environment noise level			
Preset Colour Filters	8 (output and speaker signal)			
Delay [msec]	10			
Levels and Boost	Mic level 280 mV peak-to-peak; line level 2/4V peak-to-peak, add 6 dB boost			

Technical Specifications

Product Name	SP-PSCM	SPASCM-2	SP-PSCM-IQ	SP-ASCM-IQ2
Product Group	Passive Collaboration Soundbar	Active Collaboration Soundbar	Passive Collaboration Soundbar	Active Collaboration Soundbar
Order Code	100015078	100015453	100015302	100015454
AV-230 Amplifier				
Output Power (stereo)	-	2 x 20 W (peak), 2 x 10 W (rms), 4 Ω	-	2 x 20 W (peak), 2 x 10 W (rms), 4 Ω
External Power Supply	-	24V DC (typ.), 2A	-	24V DC (typ.), 2A
Frequency Response	-	10 Hz to 50 kHz (+ 0/-3 dB)	-	10 Hz to 50 kHz (+ 0/-3 dB)
Total Harmonic Distortion	-	< 0.3%, 20Hz<f<20KHz. Pout<Pr/2 0.02% (typ) (PO = 5W, f = 1kHz, 6,2 Ω resistive load)	-	< 0.3%, 20Hz<f<20KHz. Pout<Pr/2 0.02% (typ) (PO = 5W, f = 1kHz, 6,2 Ω resistive load)
Power Efficiency [85%]	-	85	-	85
Channel Separation [dB]	-	85	-	85
Idle Power Consumption [W]	-	<1	-	<1
Input Impedance [kΩ]	-	10	-	10
Additional Features				
Supported NEC Hardware	NEC Large Format Displays (except MultiSync® C431, C501, C551, UHD E series and CB series)	MultiSync® C431, C501, C551, MultiSync® CBxxxQ (with OPS slot-in PC or external PC only)	NEC Large Format Displays (except MultiSync® C431, C501, C551, UHD E series and CB series)	MultiSync® C431, C501, C551, MultiSync® CBxxxQ (with OPS slot-in PC or external PC only)
Mounting Solutions	Wall mounts included; additional VESA mount see table below			
Shipping Content	Collaboration Soundbar with integrated amplifier, microphone and Huddly GO camera, 2m USB 3.0 cable, wall mount	Collaboration Soundbar with integrated amplifier, microphone and Huddly GO camera, 2m USB 3.0 cable, wall mount	Collaboration Soundbar with integrated microphone and Huddly IQ camera, 2m USB 3.0 cable, wall mount	Collaboration Soundbar with integrated microphone and Huddly IQ camera, 2m USB 3.0 cable, wall mount
Warranty	3 years			

Optional VESA Mounts

Model Order Code:	SP-Bracket 40"-55" 100015041	SP-Bracket 65"-86" 100015247	SP-Bracket 98" 100015333	SP-Bracket CB65" 100015428	SP-Bracket CB75" CB 86" on demand
NEC Large Format Displays 40" to 55" (except MultiSync® E series)	•	—	—	—	—
NEC Large Format Displays 65" to 86" (except MultiSync® CB series)	—	•	—	—	—
NEC Large Format Displays 98"	—	—	•	—	—
NEC Collaboration Board 65" MultiSync® CB651Q	—	—	—	•	—
NEC Collaboration Board 75"/86" MultiSync®	—	—	—	—	•

Components

Model		Order Code:	Soundbar	Amplifier	Microphone	Huddly GO Camera	Huddly IQ Camera
SP-ASCM-2	Active Collaboration Soundbar	100015453	•	•	•	•	—
SP-ASCM-IQ-2	Active Collaboration Soundbar	100015454	•	•	•	—	•
SP-PSCM	Passive Collaboration Soundbar	100015078	•	—	•	•	—
SP-PSCM-IQ	Passive Collaboration Soundbar	100015302	•	—	•	—	•

NEC Display Solutions Europe GmbH

Landshuter Allee 12-14, D-80637 München

infomail@nec-displays.com

Phone: +49 (0) 89 99 699-0

Fax: +49 (0) 89 99 699-500

www.nec-display-solutions.com