

Ultra Megapixel Lenses

www.boschsecurity.com



BOSCH
Invented for life



- ▶ Ultra megapixel optical resolution
- ▶ Telephoto range for details at a distance
- ▶ High-quality optics
- ▶ Reliable, robust construction

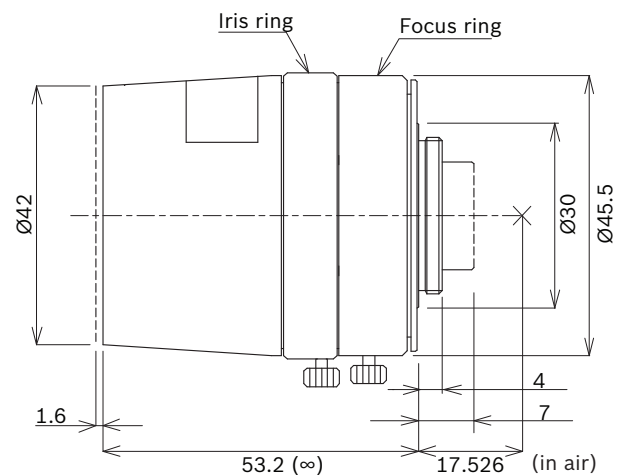
As cameras can now capture even higher picture resolutions through the use of megapixel sensor technology and advanced processing, the lenses also need to have an optical resolution that allows the camera to work at its optimal point. These lenses provide long and reliable operation with no maintenance. They are designed to provide detailed coverage at long distances in applications such as stadiums or perimeter monitoring.

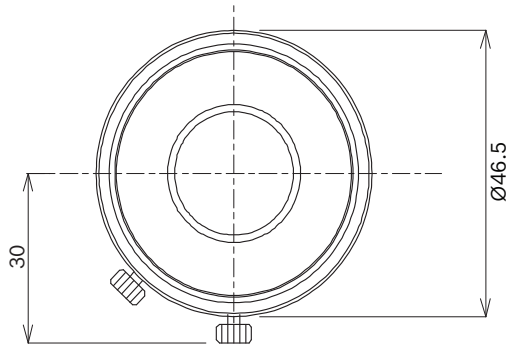
System overview

The lenses have a standard C mount for use with a variety of cameras. They deliver impressive optical quality as a result of their ultra megapixel resolution, contrast reproduction, and coating. The mechanical construction is designed to withstand the environmental stress of surveillance installations. For flexible, high-quality, reliable lenses that match a megapixel camera's performance, these lenses are the ideal solution.

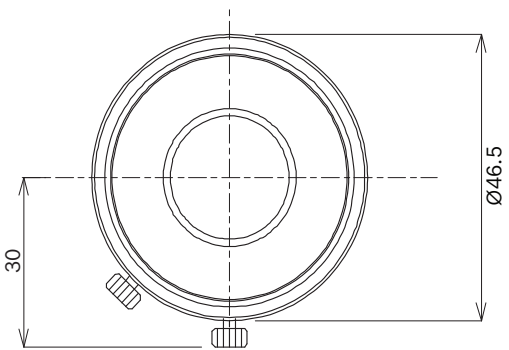
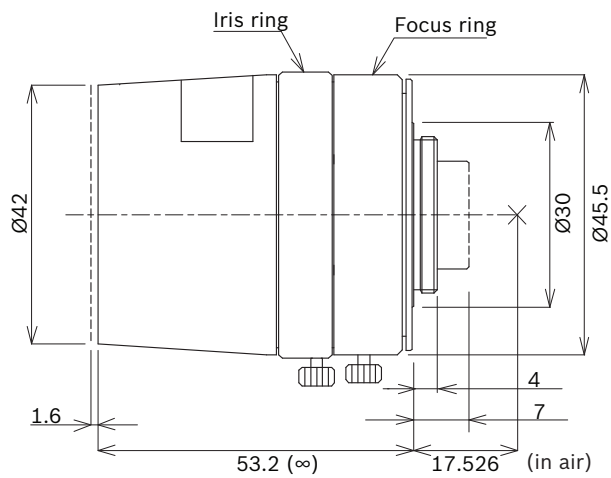
Installation/configuration notes

Dimensions LFF-8012C-D35

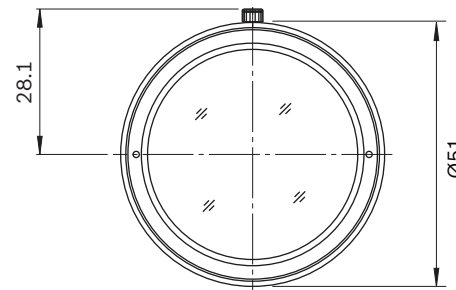
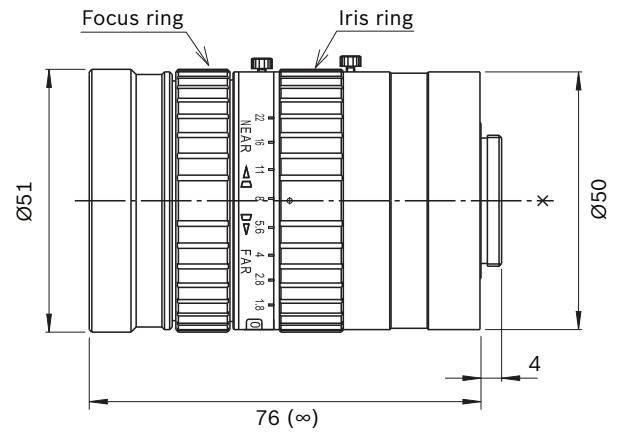




Dimensions LFF-8012C-D50



Dimensions LFF-8012C-D75



Technical specifications

Optical	LFF-8012C-D35	LFF-8012C-D50	LFF-8012C-D75
	Maximum sensor format	2/3-inch	2/3-inch
Focal length	35 mm	50 mm	75 mm
Iris range	F1.8, F2.8, F4, F8, F16	F2, F2.8, F4, F8, F16	F1.8, F2, F2.8, F4, F8, F16, F22
Min object distance	1 m (3.3 ft)	2 m (6.56 ft)	0.9 m (3.3 ft)
Back focal length	14.3 mm (0.56 in)	14.8 mm (0.58 in)	24.43 mm (0.96 in)
Iris control	manual	manual	manual
Focus control	manual	manual	manual
IR corrected	yes	yes	no

Angle of view with DINION IP ultra 8000 MP (DxHxV)

	LFF-8012C-D35	LFF-8012C-D50	LFF-8012C-D75
12MP mode (4:3)	12.3x9.8x7.4°	8.5x6.8x5.1°	5.9x4.7x3.6°
4K UHD mode (16:9)	10.8x9.4x5.3°	7.5x6.6x3.7°	5.2x4.5x2.6°

Mechanical

	LFF-8012C-D35	LFF-8012C-D50	LFF-8012C-D75
Weight	149 g (0.33 lb)	155 g (0.34 lb)	305 g (0.67 lb)
Dimensions	Ø 53 x 47 mm	Ø 54 x 47 mm	Ø 51 x 76 mm
Lens mount	C-mount	C-mount	C-mount

Environmental

Operating Temperature	-10°C to +50°C (+14°F to +122°F)
Storage Temperature	-20°C to +60°C (-4°F to + 140°F)
Operating Humidity	Up to 80% non-condensing

Ordering information**LFF-8012C-D35 Telephoto megapixel lens**

Fixed telephoto megapixel lens ; manual iris; IR corrected; C-mount; 2/3" ; F1.8; 35mm
Order number **LFF-8012C-D35**

LFF-8012C-D50 Telephoto megapixel lens

Fixed telephoto megapixel lens ; manual iris; IR corrected; C-mount; 2/3" ; F2.0; 50mm
Order number **LFF-8012C-D50**

LFF-8012C-D75 Telephoto megapixel lens

Fixed telephoto megapixel lens ; manual iris; C-mount; 1/1.8" ; F1.8; 75mm
Order number **LFF-8012C-D75**

Represented by:

Europe, Middle East, Africa:
Bosch Security Systems B.V.
P.O. Box 80002
5600 JB Eindhoven, The Netherlands
Phone: + 31 40 2577 284
emea.securitysystems@bosch.com
emea.boschsecurity.com

Germany:
Bosch Sicherheitssysteme GmbH
Robert-Bosch-Ring 5
85630 Grasbrunn
Germany
www.boschsecurity.com

North America:
Bosch Security Systems, Inc.
130 Perinton Parkway
Fairport, New York, 14450, USA
Phone: +1 800 289 0096
Fax: +1 585 223 9180
onlinehelp@us.bosch.com
www.boschsecurity.us

Asia-Pacific:
Robert Bosch (SEA) Pte Ltd, Security Systems
11 Bishan Street 21
Singapore 573943
Phone: +65 6571 2808
Fax: +65 6571 2699
apr.securitysystems@bosch.com
www.boschsecurity.asia