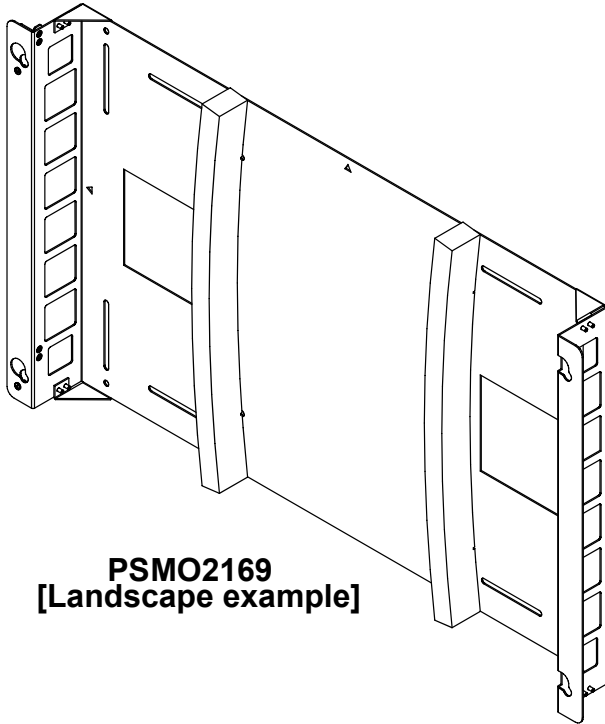


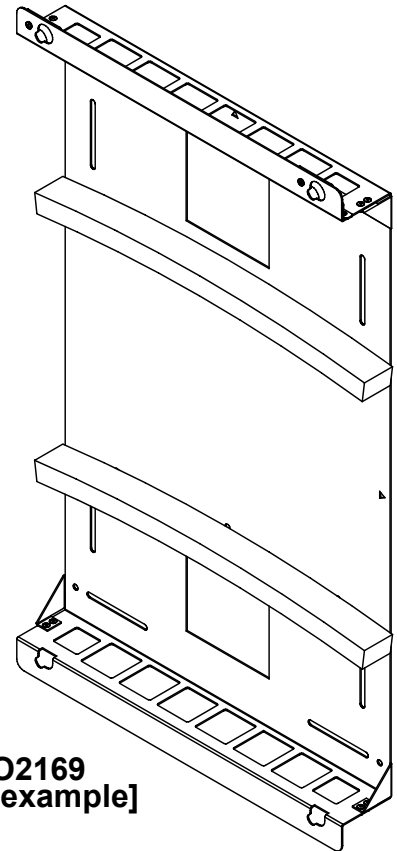
---

# INSTALLATION INSTRUCTIONS

---



**PSMO2169**  
[Landscape example]



**PSMO2169**  
[Portrait example]

---

## Outdoor Large Flat Panel Static Wall Mount

---



A brand of  legrand®

# PSMO2169

---

## DISCLAIMER

Legrand | AV and its affiliated corporations and subsidiaries (collectively "Legrand | AV"), intend to make this manual accurate and complete. However, Legrand | AV makes no claim that the information contained herein covers all details, conditions or variations, nor does it provide for every possible contingency in connection with the installation or use of this product. The information contained in this document is subject to change without notice or obligation of any kind. Legrand | AV makes no representation of warranty, expressed or implied, regarding the information contained herein. Legrand | AV assumes no responsibility for accuracy, completeness or sufficiency of the information contained in this document.

Chief® is a registered trademark of Legrand AV Inc.

## DEFINITIONS

**MOUNTING SYSTEM:** A MOUNTING SYSTEM is the primary Chief product to which an accessory and/or component is attached.

**ACCESSORY:** AN ACCESSORY is the secondary Chief product which is attached to a primary Chief product, and may have a component attached or setting on it.

**COMPONENT:** A COMPONENT is an audiovisual item designed to be attached or resting on an accessory or mounting system such as a video camera, CPU, screen, display, projector, etc.



**WARNING:** A WARNING alerts you to the possibility of serious injury or death if you do not follow the instructions.



**CAUTION:** A CAUTION alerts you to the possibility of damage or destruction of equipment if you do not follow the corresponding instructions.



## IMPORTANT SAFETY INSTRUCTIONS



**WARNING:** Failure to read, thoroughly understand, and follow all instructions can result in serious personal injury, damage to equipment, or voiding of factory warranty! It is the installer's responsibility to make sure all mounting systems are properly assembled and installed using the instructions provided.



**WARNING:** Failure to provide adequate structural strength for this mounting system can result in serious personal injury or damage to equipment! It is the installer's responsibility to make sure the structure to which this mounting system is attached can support five times the combined weight of all equipment. Reinforce the structure as required before installing the mounting system.



**WARNING:** Exceeding the weight capacity can result in serious personal injury or damage to equipment! It is the installer's responsibility to make sure the combined weight of all components attached to mounting system does not exceed 125 lbs (56.7 kg).



**WARNING:** Use this mounting system only for its intended use as described in these instructions. Do not use attachments not recommended by the manufacturer.



**WARNING:** Never operate this mounting system if it is damaged. Return the mounting system to a service center for examination and repair.

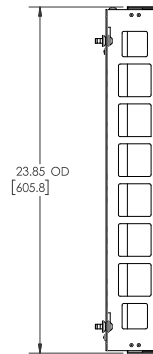
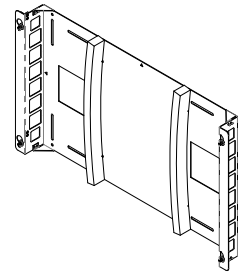
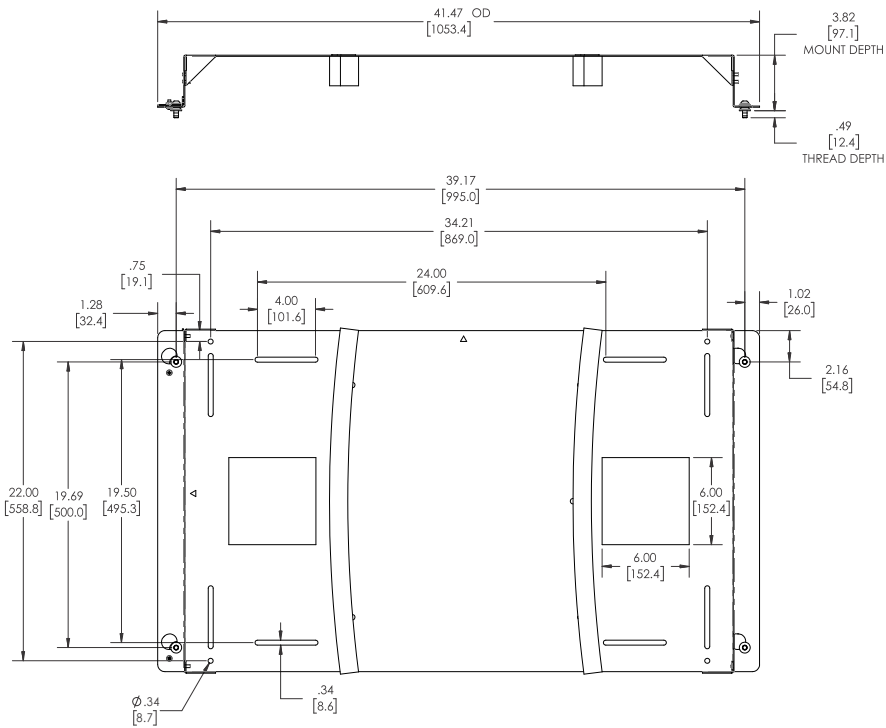
**IMPORTANT ! :** The PSMO2169 mounting system is designed to be mounted to a:

- bare 8" thick solid concrete or 8"x8"x16" concrete block wall.

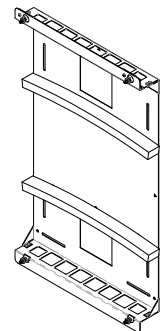
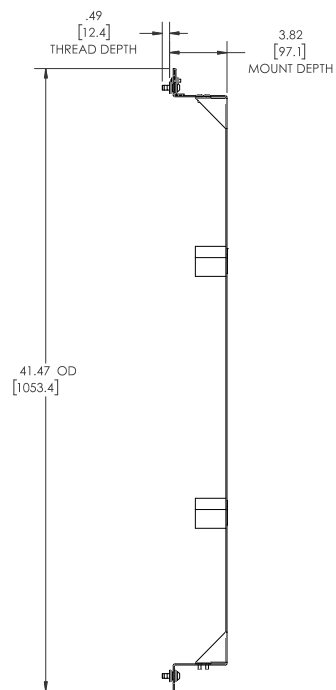
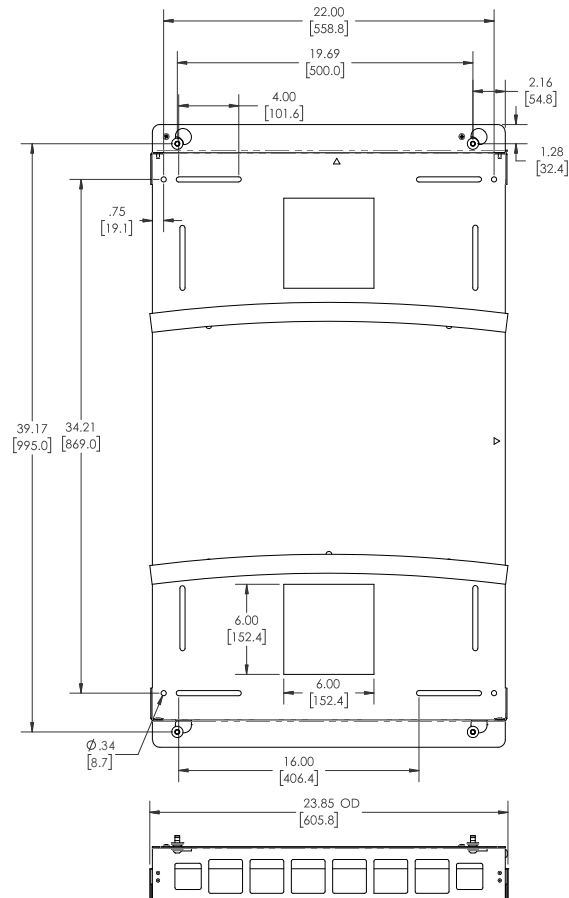
**--SAVE THESE INSTRUCTIONS--**

**DIMENSIONS**

**LANDSCAPE ORIENTATION**

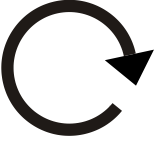

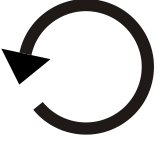





**PORTRAIT ORIENTATION**

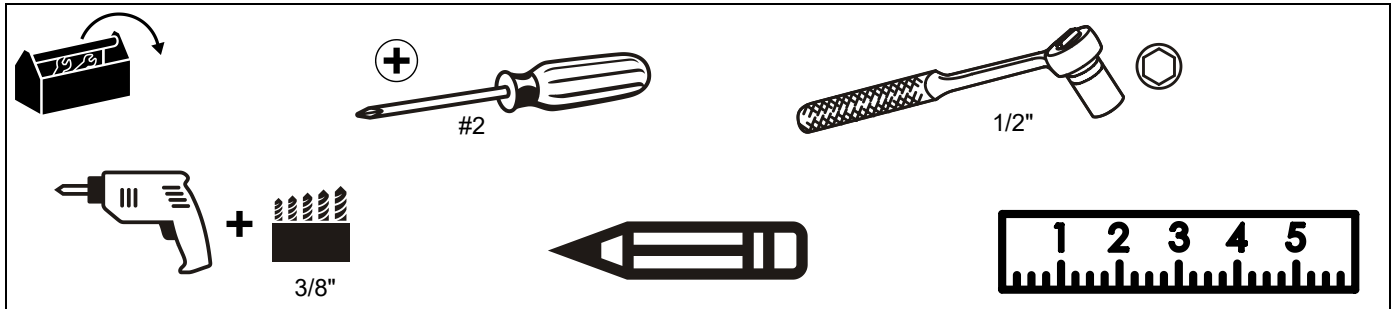


DIMENSIONS: INCHES  
[MILLIMETERS]

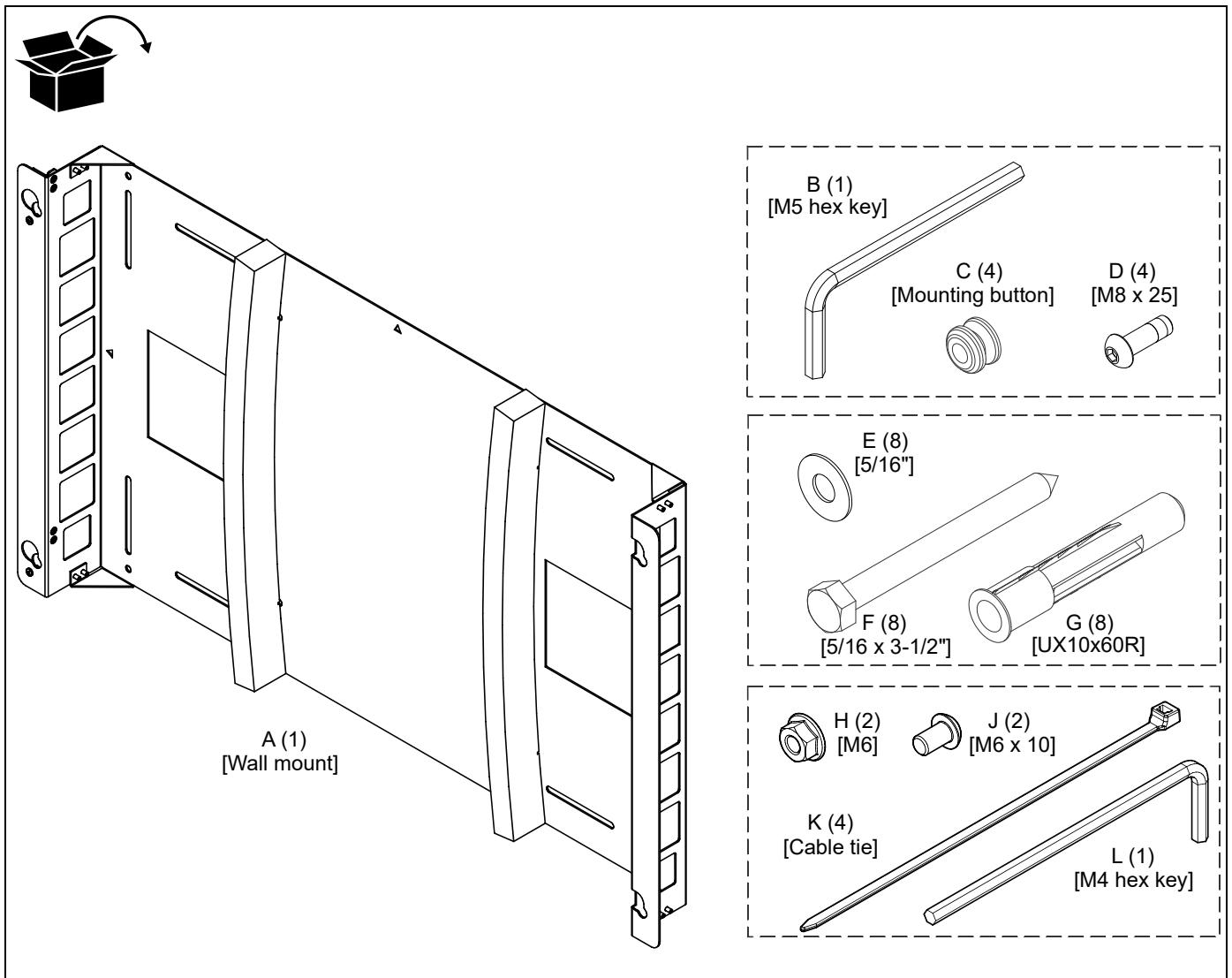
**LEGEND**

	<b>Tighten Fastener</b> Apretar elemento de fijación Befestigungsteil festziehen Apertar fixador Serrare il fissaggio Bevestiging vastdraaien Serrez les fixations		<b>Pencil Mark</b> Marcar con lápiz Stiftmarkierung Marcar com lápis Segno a matita Potloodmerkten Marquage au crayon
	<b>Loosen Fastener</b> Aflojar elemento de fijación Befestigungsteil lösen Desapertar fixador Allentare il fissaggio Bevestiging losdraaien Desserrez les fixations		<b>Drill Hole</b> Perforar Bohrloch Fazer furo Praticare un foro Gat boren Percez un trou
	<b>Phillips Screwdriver</b> Destornillador Phillips Kreuzschlitzschraubendreher Chave de fendas Phillips Cacciavite a stella Kruiskopschroevendraaier Tournevis à pointe cruciforme		<b>Open-Ended Wrench</b> Llave de boca Gabelschlüssel Chave de bocas Chiave a punte aperte Steeksleutel Clé à fourche

**TOOLS REQUIRED FOR INSTALLATION**



**PARTS**



## ASSEMBLY AND INSTALLATION

### Installing Mounting Buttons

1. Attach four mounting buttons (C) to back of display using four M8 x 25mm button head cap screws (D). (See Figure 1)

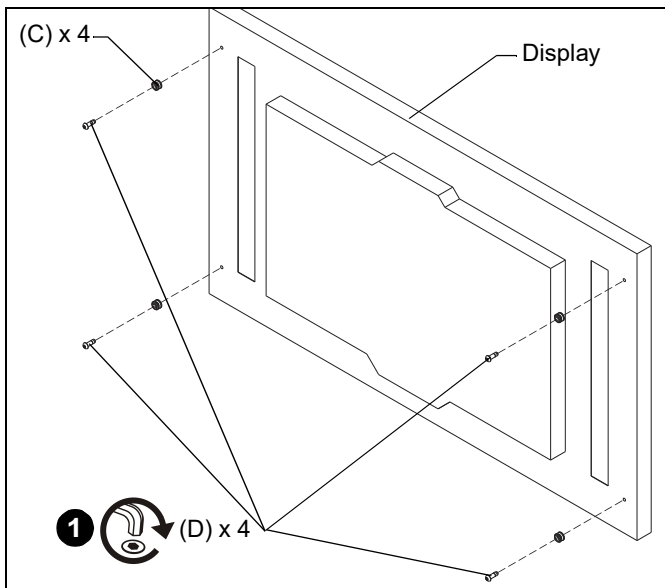


Figure 1

### Attaching PSMO2169 to Wall

1. Place mounting system against wall in desired installation location.
2. Level and adjust PSMO2169 making sure the corner holes and slots at upper and lower edges are properly positioned for either landscape or portrait installation. (See Figure 2)

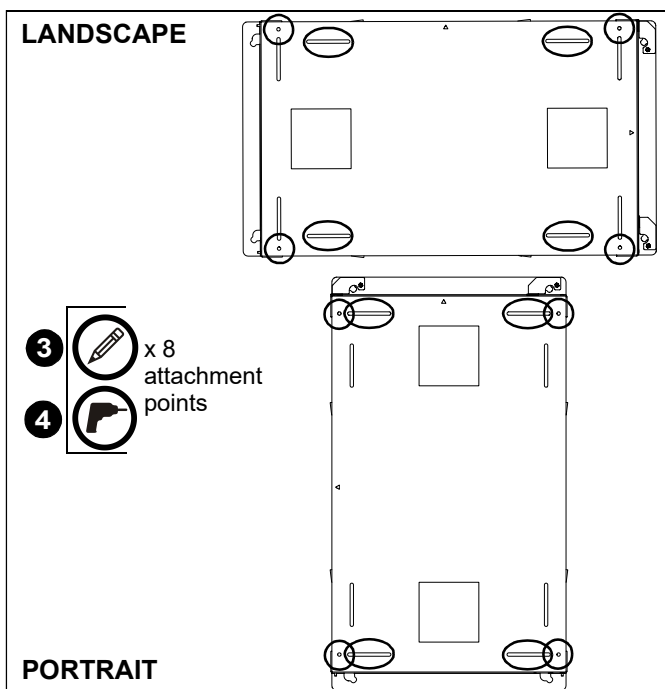


Figure 2

3. Mark the location of eight mounting holes onto wall. The four corner hole locations must be used first. (See Figure 2)

Table 1: Fastener Information

WALL TYPE	PILOT HOLE	FASTENERS (see PARTS drawing)
Concrete	3/8" x 3-1/2"	5/16 x 3-1/2" hex head lag (G) & UX10x60R anchor. Fasteners placed a min. 16" (400mm) and max. 24" (610mm)

4. Drill eight pilot holes at marked locations. (See Table 1) and (See Figure 2)



**CAUTION:** IMPROPER INSTALLATION CAN LEAD TO MOUNT FALLING CAUSING SERIOUS PERSONAL INJURY OR DAMAGE TO EQUIPMENT! DO NOT over tighten hardware!

**IMPORTANT ! :** See Table 1 for appropriate hardware and pilot hole sizes for various wall types.

5. Install one Fischer UX10x60R anchor (G) into each pilot hole using a hammer, making sure that the anchor is flush with the wall. (See Figure 3)
6. Install one 5/16" x 3-1/2" lag bolt (F) into each anchor in wall.
7. Repeat for remaining pilot hole(s).

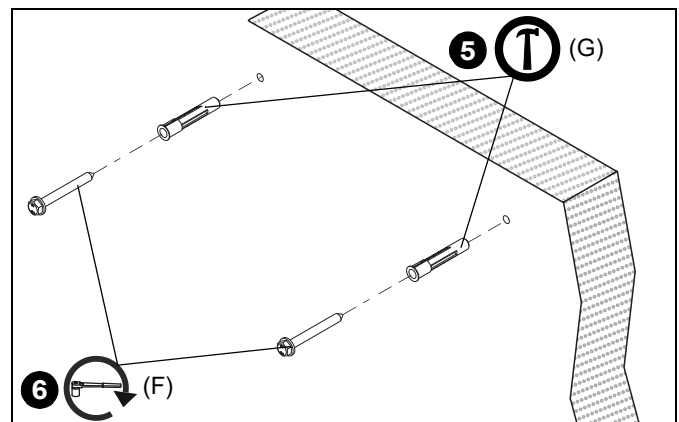


Figure 3

### Display Installation



**WARNING:** IMPROPER INSTALLATION CAN LEAD TO MOUNT FALLING CAUSING SERIOUS PERSONAL INJURY OR DAMAGE TO EQUIPMENT! DO NOT substitute hardware.

1. Move latching flags on mount to the **OPEN** position. (See Figure 4)

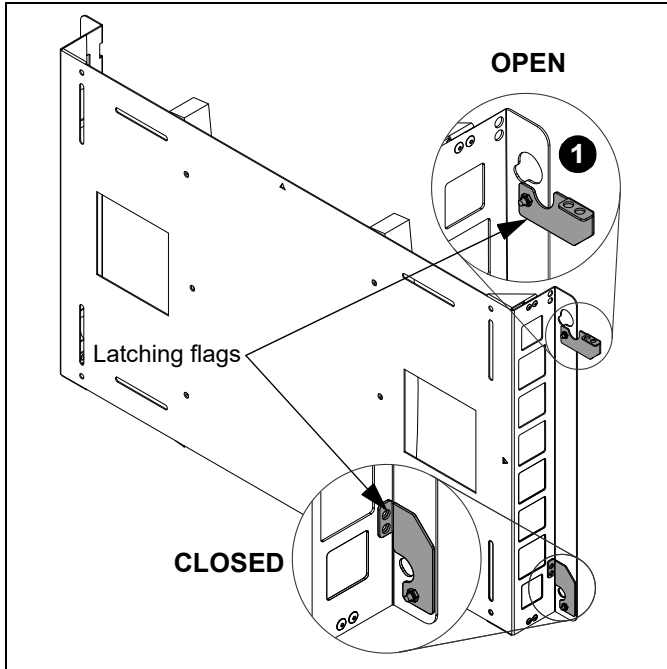


Figure 4

2. Lift display following lifting instructions provided by display manufacturer.
3. Align mounting buttons on display with teardrop mounting holes in mount. (See Figure 5)
4. Move display forward until recessed area of mounting buttons is positioned over lower area of teardrop mounting holes. (See Figure 5)
5. Lower display until recessed area of mounting buttons is seated in lower area of teardrop mounting holes. (See Figure 5)

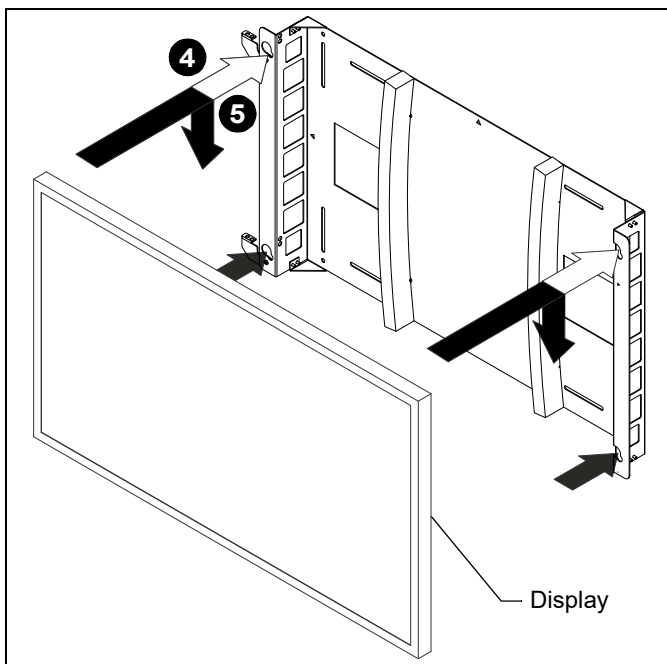


Figure 5

6. Move latching flags to **CLOSED** position. (See Figure 6)

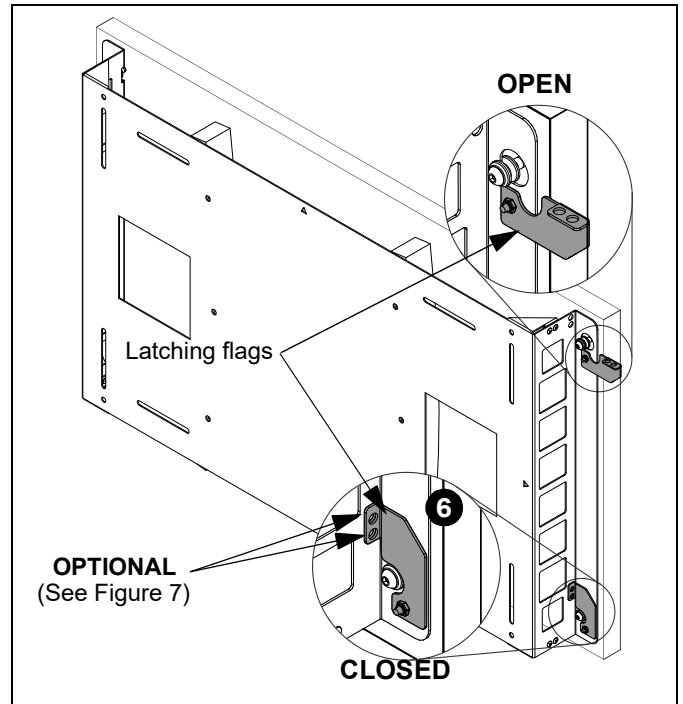


Figure 6

7. **OPTIONAL:** Lock latching flags in place, if desired. Flags can be locked using included M6 x 10 mm screws (J) and M6 (H) nuts **OR** cable ties (K). (See Figure 7)

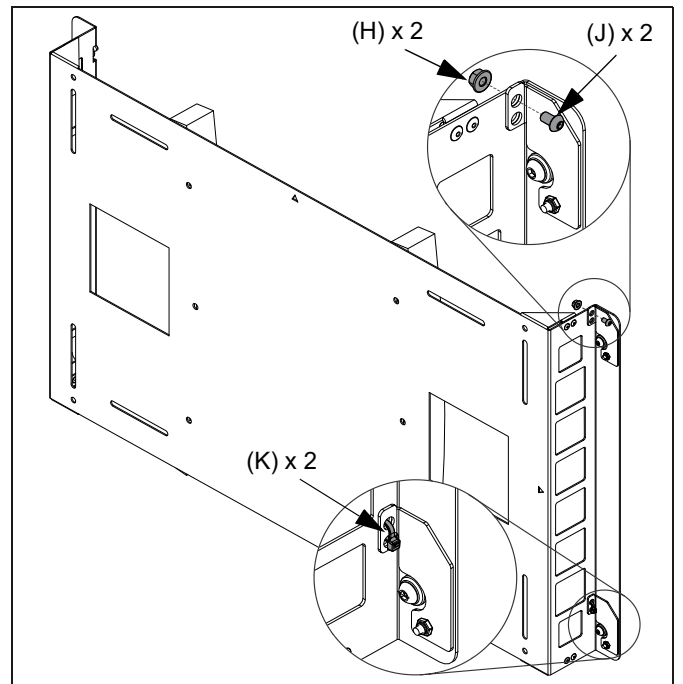


Figure 7

8. Route wires and cables to display.

**CHIEF**<sup>®</sup>A brand of **legrand**<sup>®</sup>

8800-003366 Rev00  
©2022 Legrand | AV  
[www.legrandav.com](http://www.legrandav.com)  
06/2022

<b>USA/International</b>	<b>A</b> 6436 City West Parkway, Eden Prairie, MN 55344 <b>P</b> 800.582.6480 / 952.225.6000 <b>F</b> 877.894.6918 / 952.894.6918
<b>Europe</b>	<b>A</b> Franklinstraat 14, 6003 DK Weert, Netherlands <b>P</b> +31 (0) 495 580 852 <b>F</b> +31 (0) 495 580 845
<b>Asia Pacific</b>	<b>A</b> Office No. 918 on 9/F, Shatin Galleria 18-24 Shan Mei Street Fotan, Shatin, Hong Kong <b>P</b> 852 2145 4099 <b>F</b> 852 2145 4477

