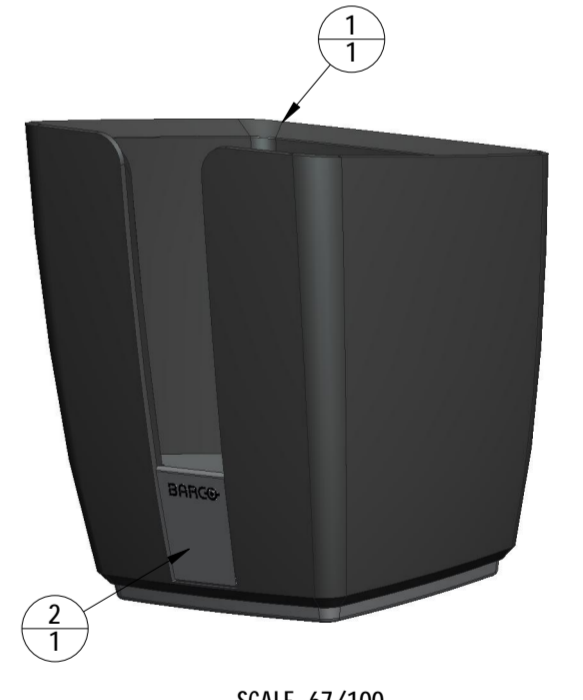
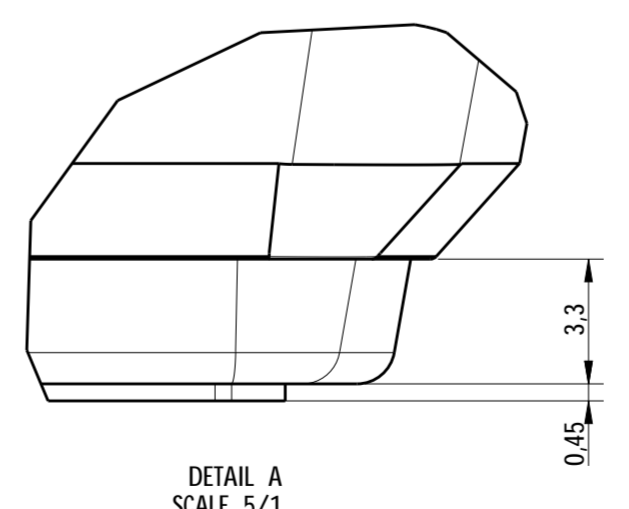
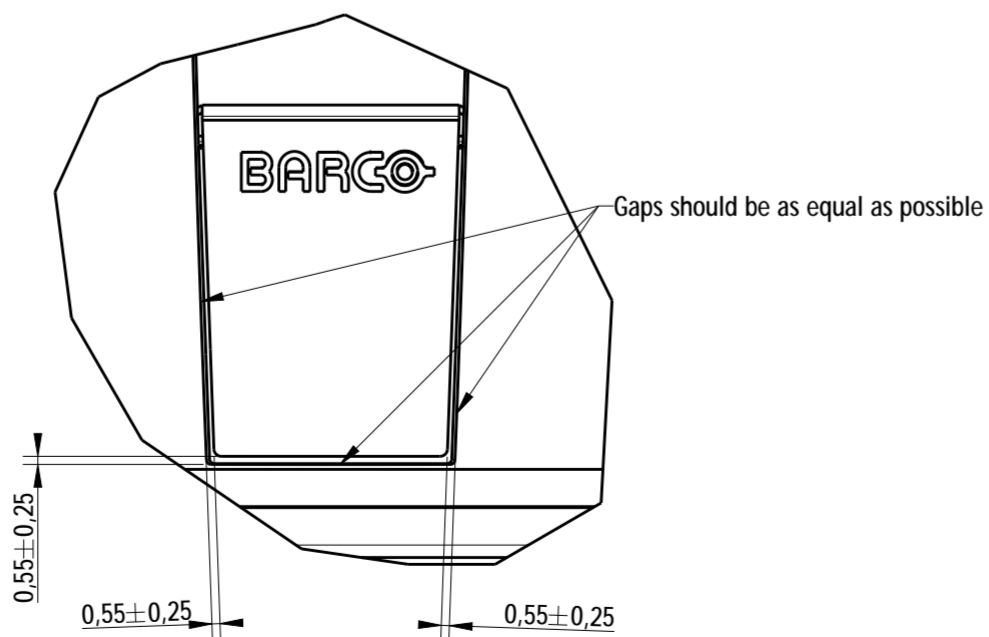
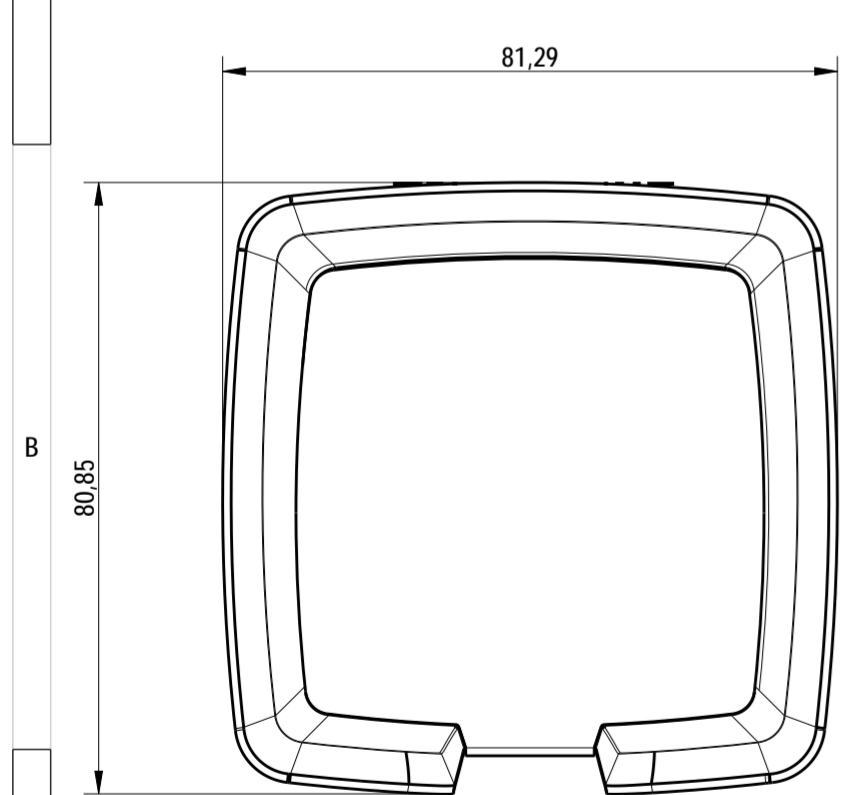
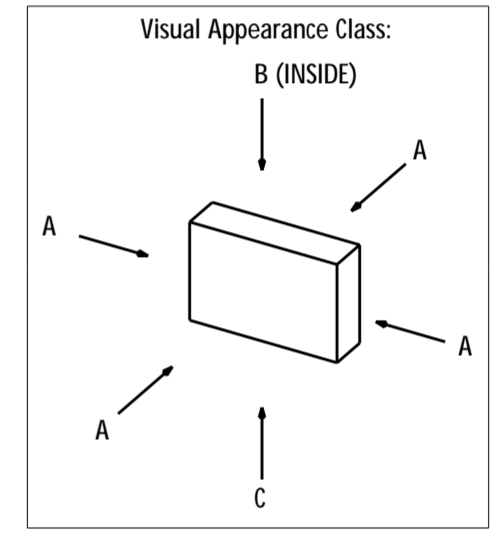
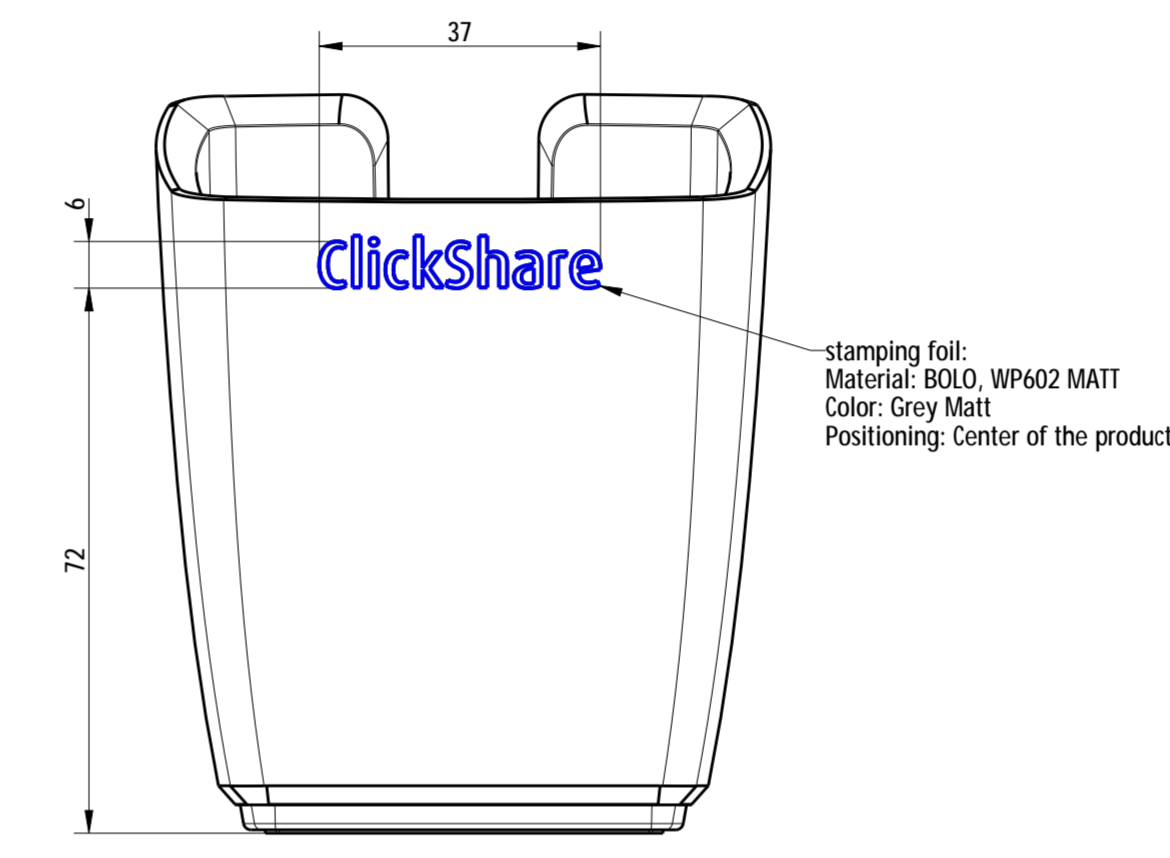
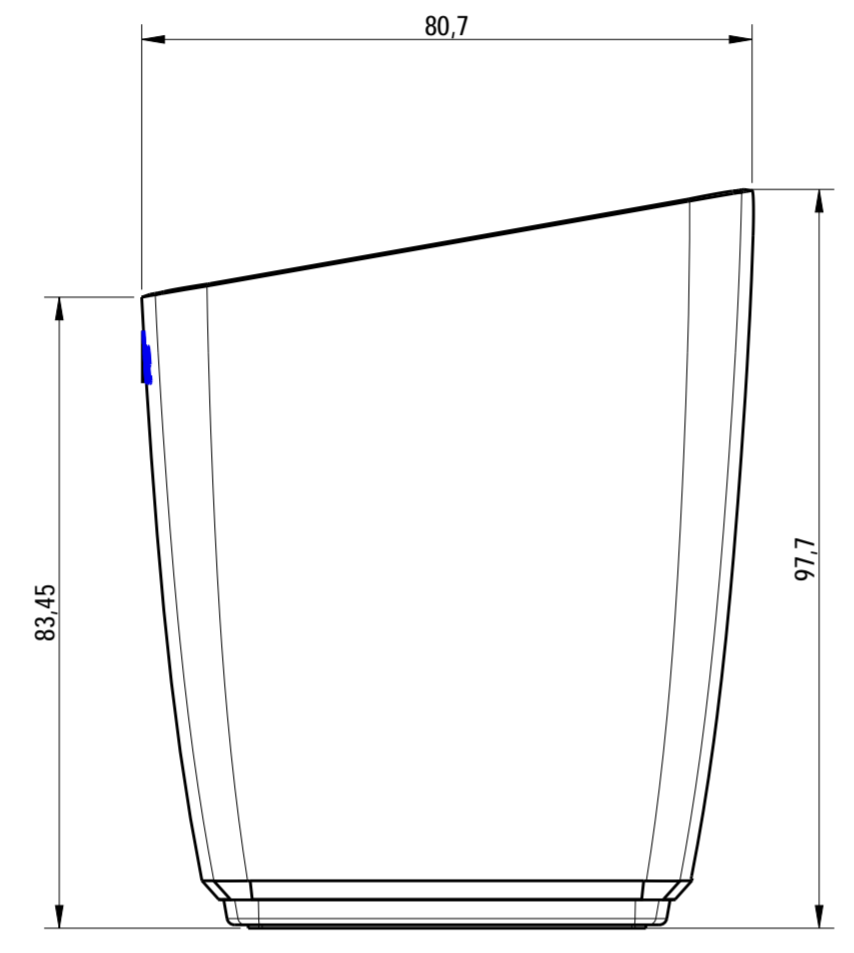
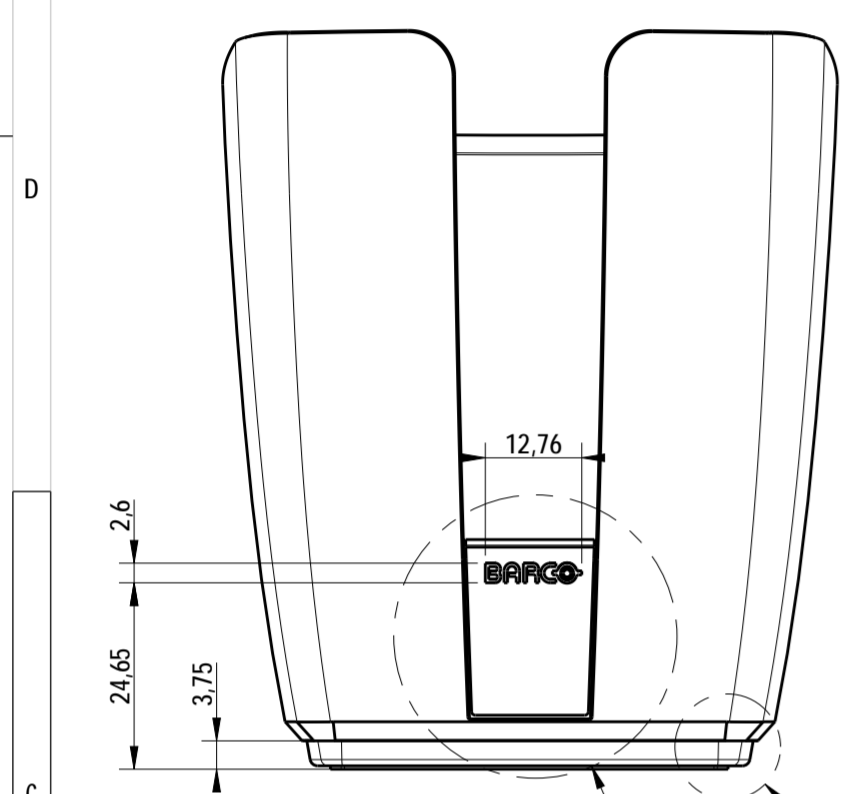
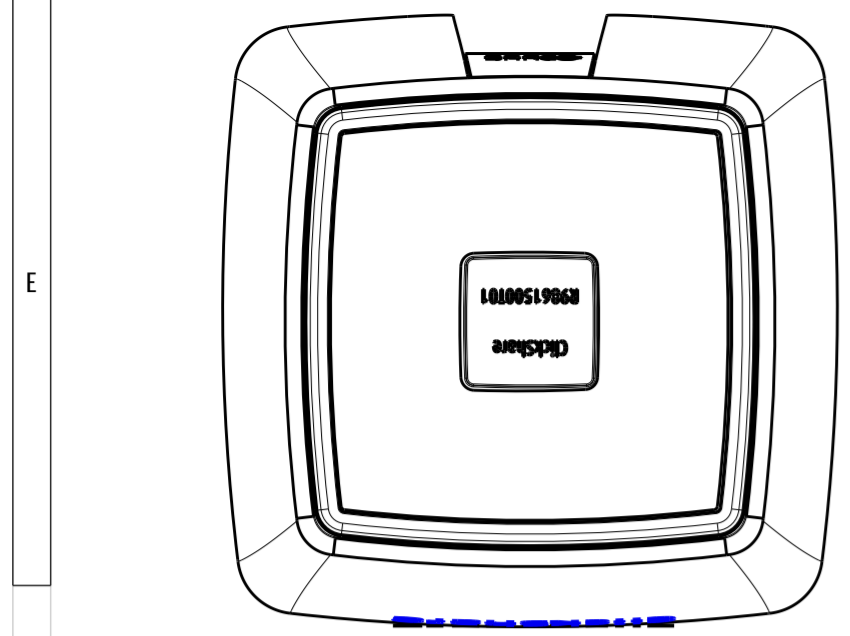


7 6 5 4 3 2 1

PART DESCRIPTION	MATERIAL	QTY
1 TRAY	Paint ABS, BASF GP-22, UL HB MUSASHI, FA-YA353P-YI: Black RAL9011	1
2 TRAY_INSERT	Stainless steel : SUS304, T=0.5mm BAOWANG, AC-NYQ5352: Metallic silver gray	1
3 FLANNEL_BTM_TRAY	Black Flannel N/A	1
4 TRAY_BASE	Stainless steel : SUS304, T=0.5mm BAOWANG, AC-NYQ5352: Metallic silver gray	1



GENERIC		QAM001/000	
- Part shall be clean and free of all burrs and sharp edges according to ISO 13715		GD&T according to ISO2768-K	
		Linear tol (mm) according to table (except where stated)	
0	>6	>30	>600
6	30	600	1000
±0.1	±0.2	±0.4	±0.8
		±1.2	
		H13	

ASSEMBLIES QAM001/090  
MECHANICAL FIXATIONS: ALL SCREWS: TABLE 1 QAM001/090, except where indicated

NAME	REV	ECN	DATE	DESCRIPTION	MODIFICATION	CURRENT REVISION
DESIGNER	BEBU	06/10/2015		MATERIAL	N/A	
APPROVED	CDSP	06/10/2015			0,223 kg	
PROJ. 1ST ANG	1/1	A2		VISUAL APPEARANCE CLASS	A	
MM	SCALE	SHEET 1 OF 1		BARCO QUALITY STANDARD QAM 001		

CLICKSHARE TRAY R9861500T01 00

7 6 5 4 3 2 1