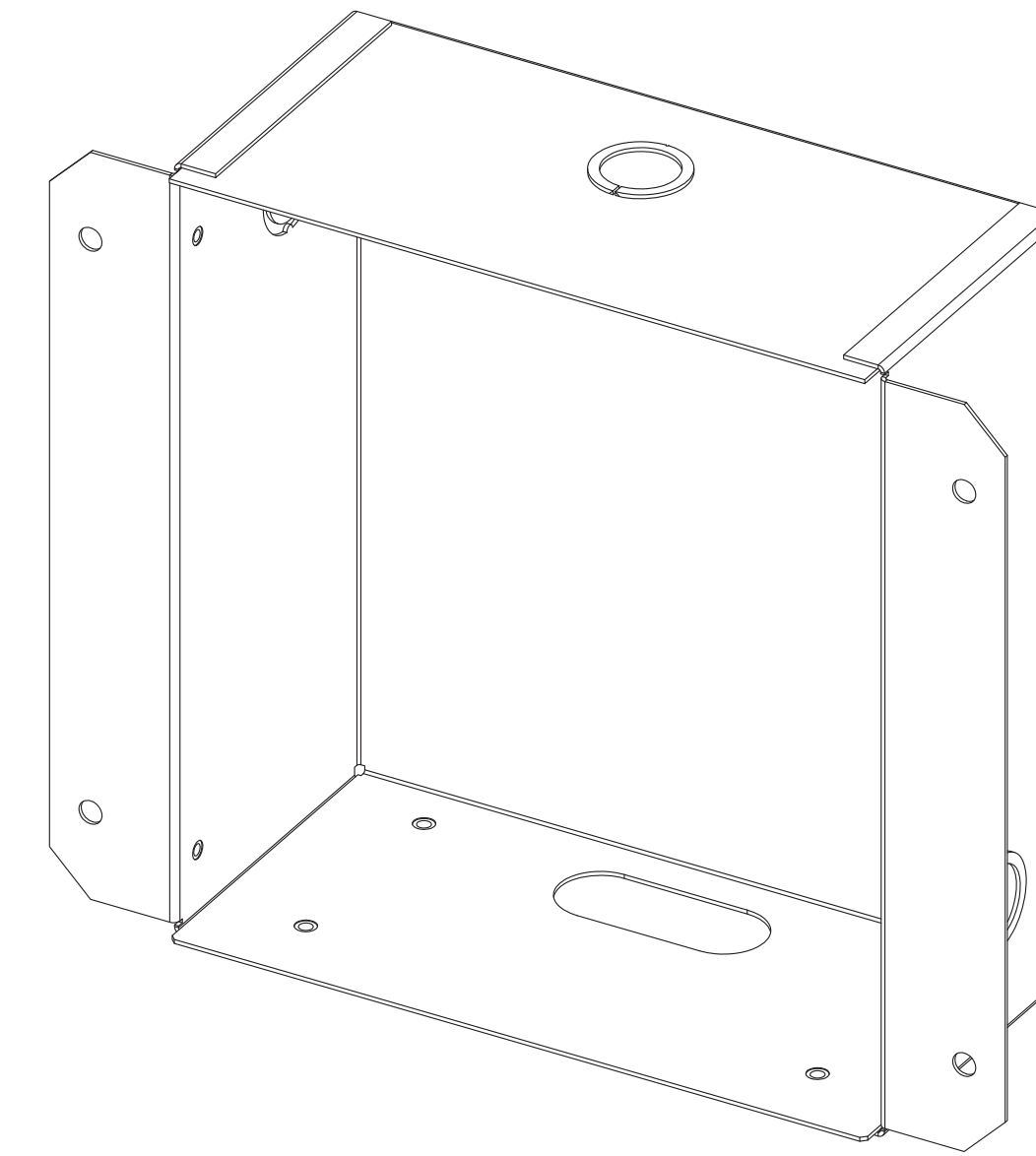
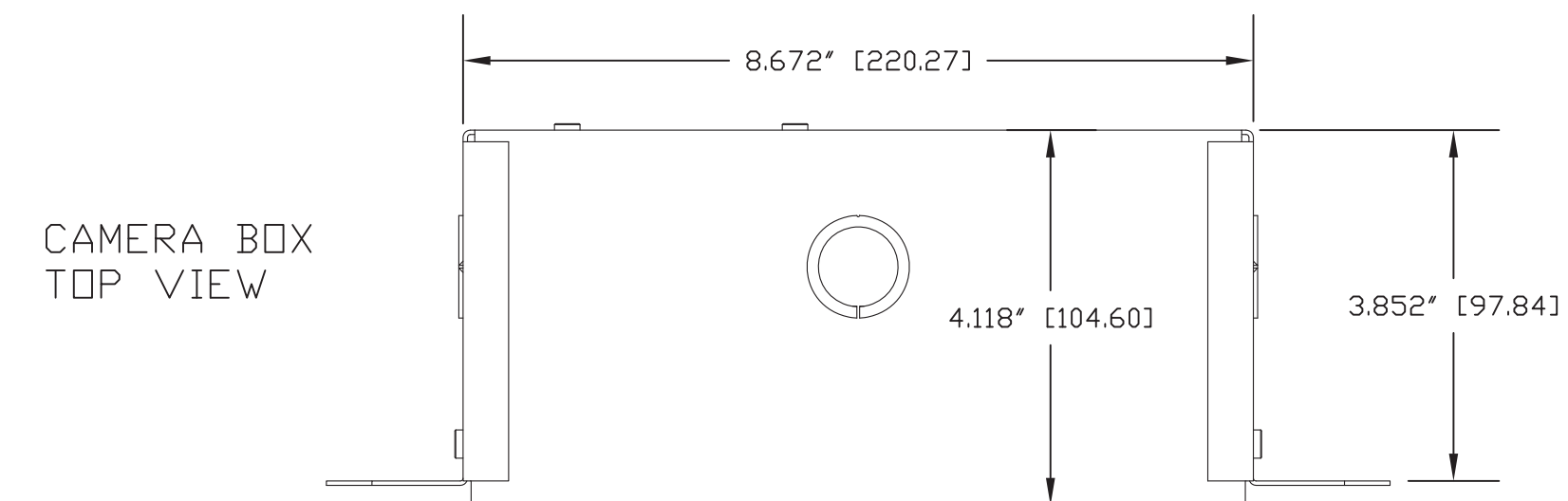
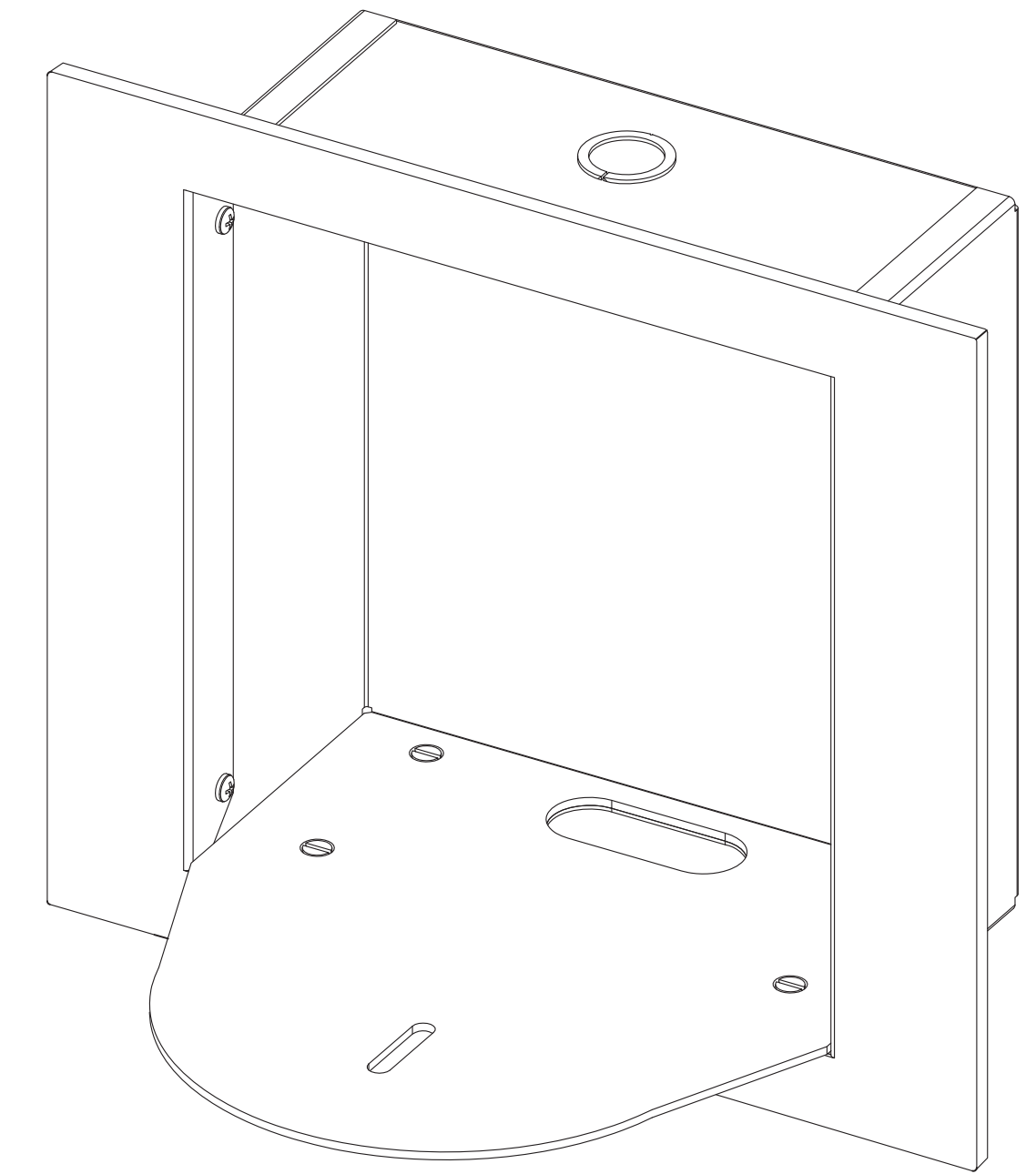


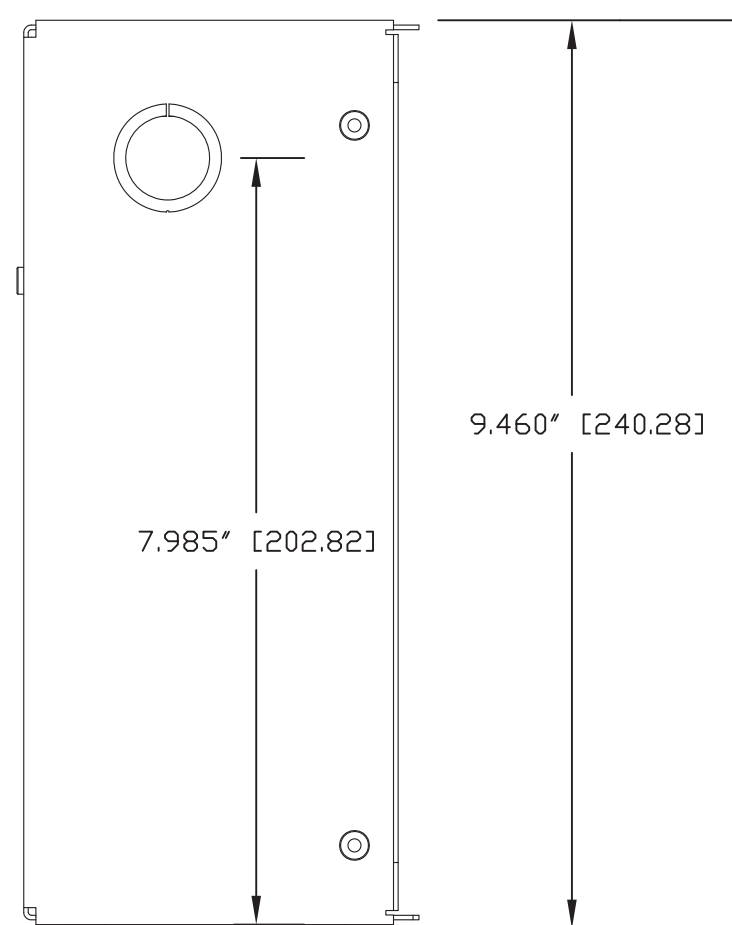
ISD VIEW CAMERA BOX  
(NO SCALE)



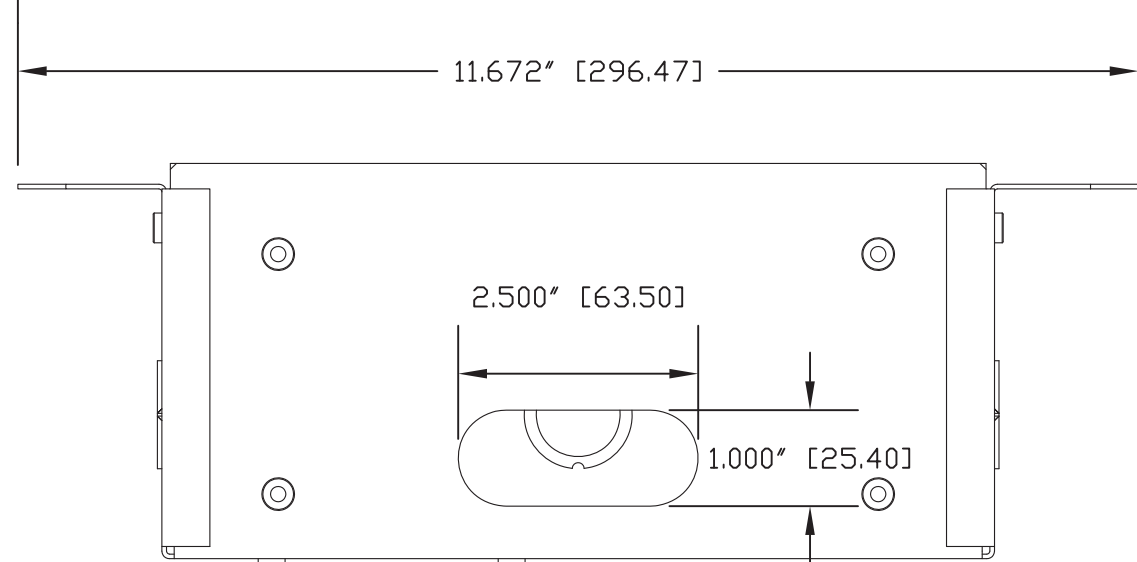
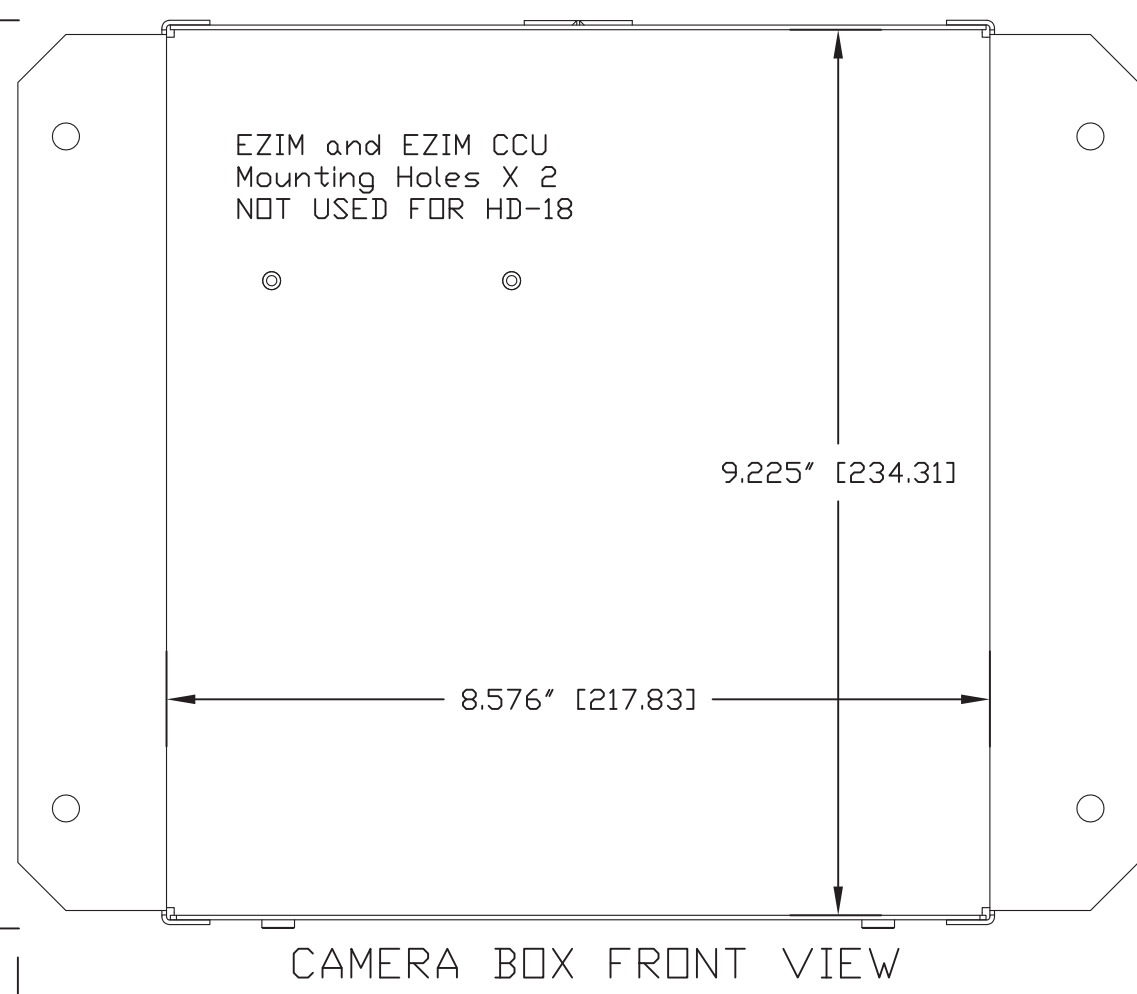
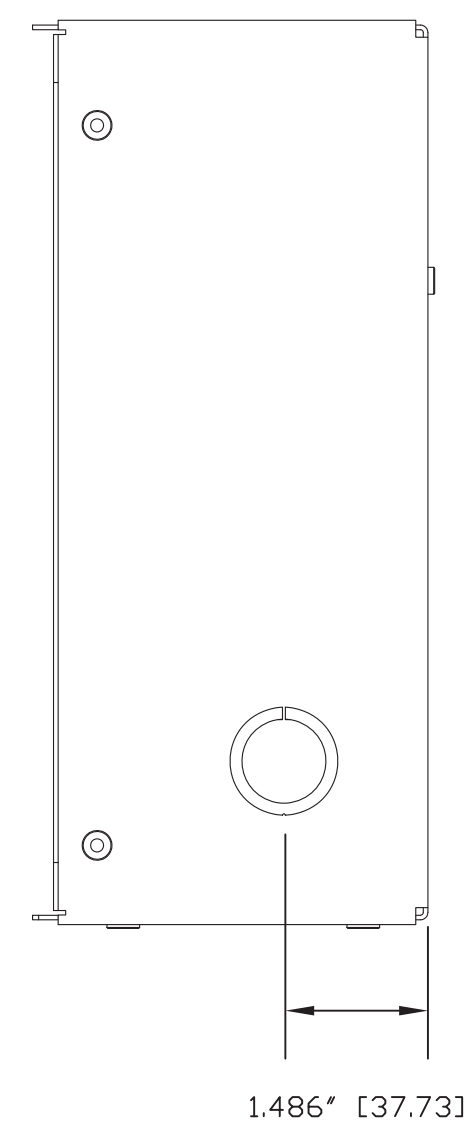
ISD VIEW CAMERA BOX WITH  
CAMERA PLATFORM & FRAME (NO SCALE)



CAMERA BOX  
LEFT SIDE VIEW

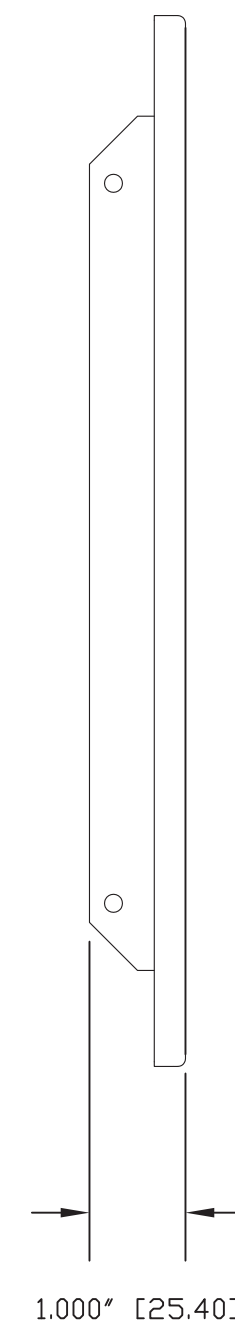


CAMERA BOX  
RIGHT SIDE VIEW

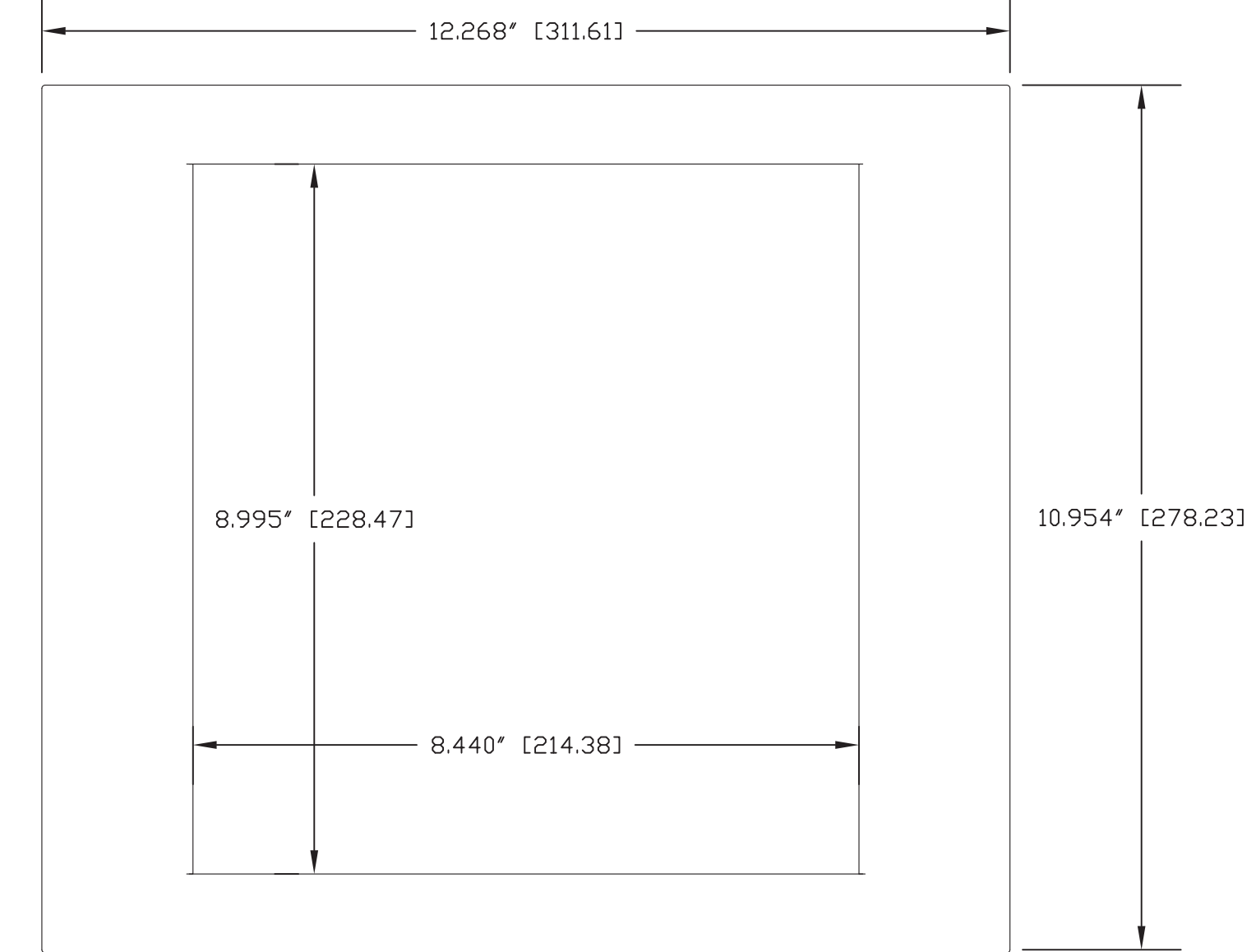


CAMERA BOX  
BOTTOM VIEW

FACE FRAME  
SIDE VIEW



FACE FRAME  
FRONT VIEW



FACE FRAME  
TOP VIEW



GENERAL NOTES:  
DIMENSIONS ARE IN INCHES (mm) UNLESS OTHERWISE NOTED.  
DO NOT DISTRIBUTE WITHOUT EXPRESS WRITTEN PERMISSION  
OF VADDIO. DUE TO OUR CONTINUING EFFORTS TO ENHANCE  
OUR PRODUCTS, WE RESERVE THE RIGHT TO CHANGE  
SPECIFICATIONS WITHOUT PRIOR NOTICE OR OBLIGATION.

IN-Wall Mount for RoboSHOT Cameras

Vaddio PART NUMBER 999-2225-118 (BOX, FRAME & PLATFORM)

DRAWN	CHECKED	APPROVED	DATE
RAR	Drahcir	RAR	11/05/2009 SD: 68311.8

THIS DRAWING, INCLUDING ALL SUBJECT MATTERS INDICATED THEREIN OR DERIVED THEREFROM,  
COMPRISES PROPRIETARY INFORMATION AND IS THE EXPRESS PROPERTY OF VADDIO.  
All Rights Reserved - Copyright 2009

MATERIALS	SCALE	DRAWING No.	REV
CRS 18 GAUGE (BOX & FRAME) & 12 GAUGE (PLATFORM)	1:2	2225-118	REV A
FINISH	SIZE		
WHITE POWDERCOAT 20% GLOSS Vaddio 806-503	D		