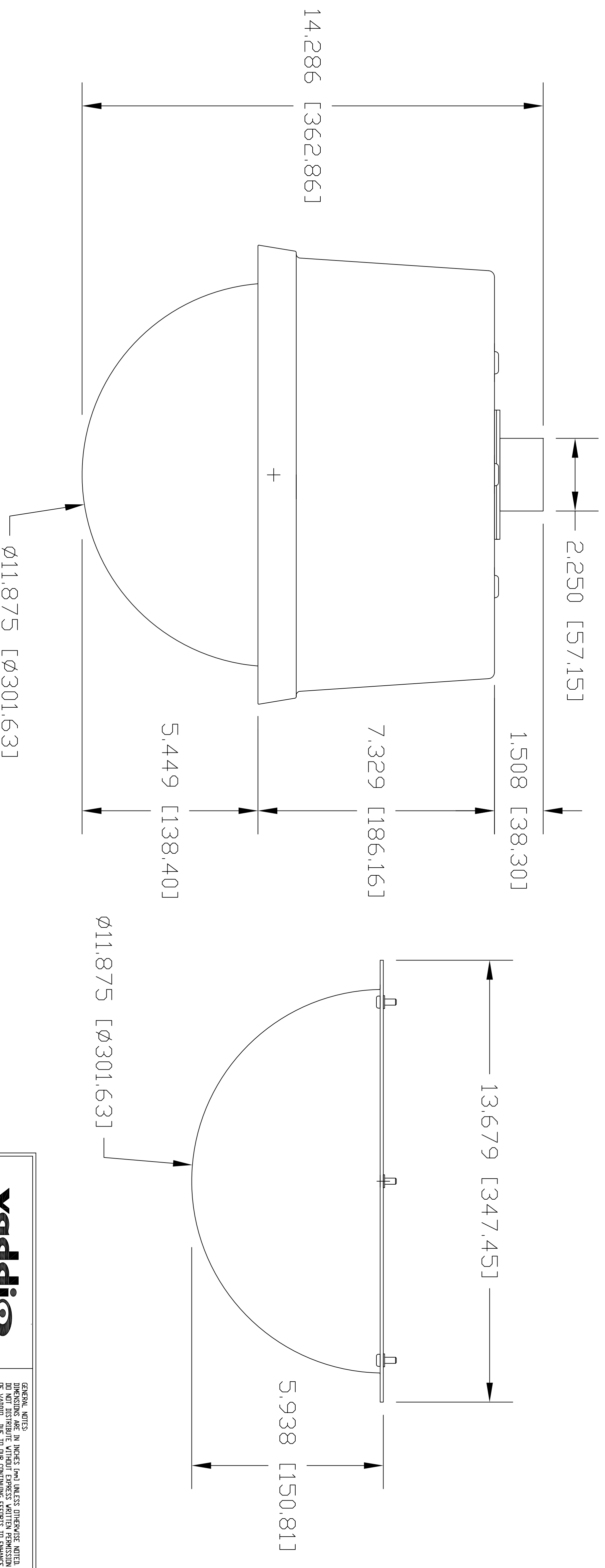
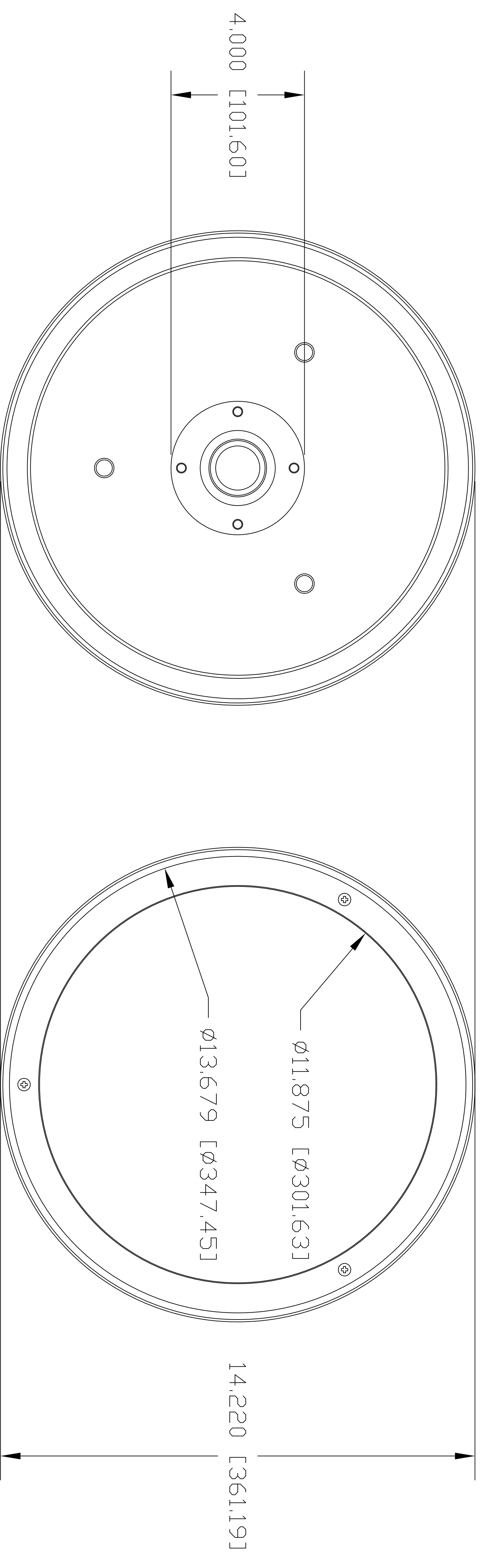
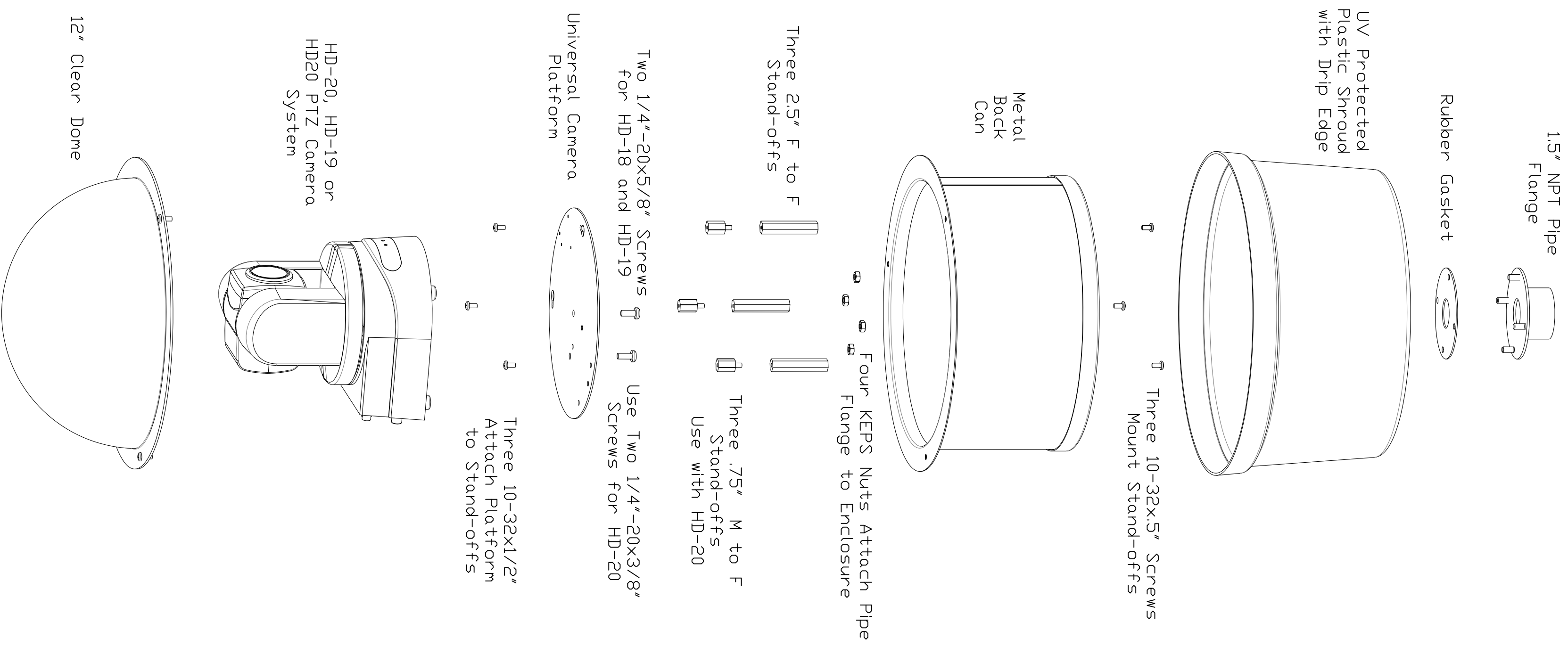


DomeVIEW HD Indoor Pendant Mount Dome - Explosion (no scale)



vaddio		GENERAL NOTES DIMENSIONS ARE IN INCHES (mm) UNLESS OTHERWISE NOTED. DO NOT DISTRIBUTE WITHOUT EXPRESS WRITTEN PERMISSION FOR PRODUCTS. ALL RIGHTS RESERVED. THE RIGHT TO CHANGE SPECIFICATIONS WITHOUT PRIOR NOTICE OR OBLIGATION.	
998-9100-200 DomeVIEW HD Indoor Pendant Mount Dome			
FOR HD-18, HD-19 and HD-20 Vaddio PTZ Cameras			
DRAWN	CHECKED	APPROVED	DATE
RAR		RAR	05/24/11
THIS DRAWING, INCLUDING ALL SUBJECT MATTERS INDICATED THEREON OR DERIVED THEREFROM, COMPRISES PROPRIETARY INFORMATION AND IS THE EXPRESS PROPERTY OF VADDIO. All Rights Reserved - Copyright 2008			
MATERIALS: CCS SHT, Various Gauges		SCALE	DRAWING No.
BLACK POWDERCOAT - R04 886-94		1:2	9100-200
COMMENTS: Thermal Package Cat (TPO) - NOT INCLUDED			REV
			A