

# Carrier™ Line Wire Device Racks



Need to fit larger devices in your Carrier Cart? Install the LocknCharge Stainless Steel Device Rack and expand the device compatibility to large Chromebooks, MacBooks and Laptops.

## Carrier 20 Device Racks



## Carrier 30 Device Racks

Compatible with MK4 and MK5 Carrier 30 Cart



## Carrier 40 Device Racks



[www.lockncharge.com/eu](http://www.lockncharge.com/eu)

Phone: +44 (0) 208 441 4107

[europesupport@lockncharge.com](mailto:europesupport@lockncharge.com)

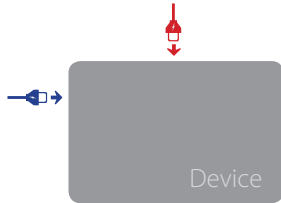


**lockncharge™** It just makes life easier.

# Wire Rack Device Compatibility Guide

## How to Check Your Device's Compatibility:

- 1 Check where the power inlet is located on your device. Is it on the **side** or **rear**?

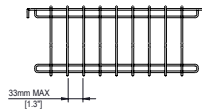
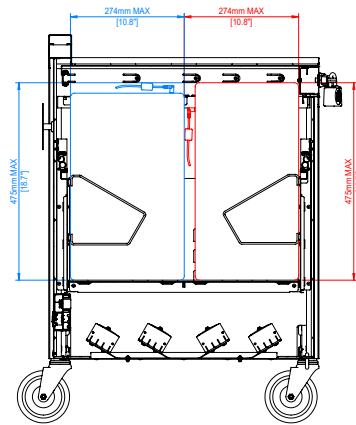


- 2 Check device dimensions:

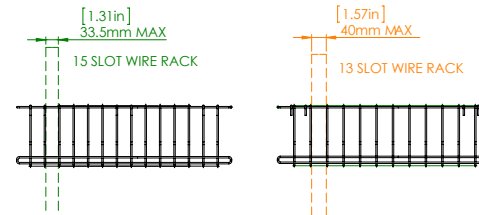
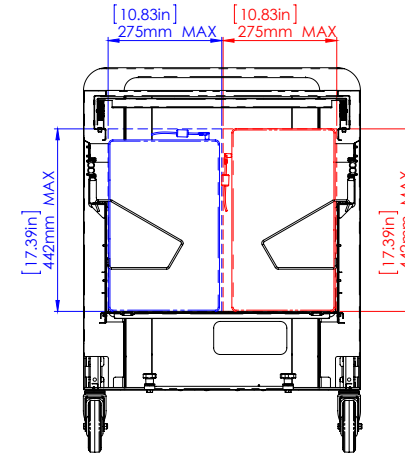
- Use the **blue** measurements on the Cart drawings to the right if the power inlet is on the **side** of your device.
- Use the **red** measurements on the Cart drawings to the right if the power inlet is on the **rear** of your device.

- 3 If your device is smaller than the measurements shown, your device is compatible.

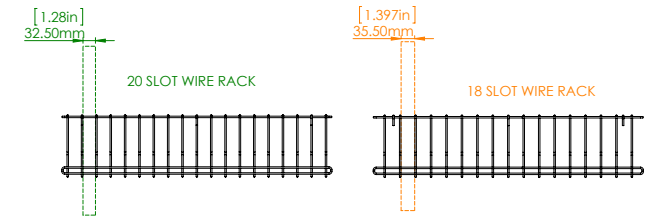
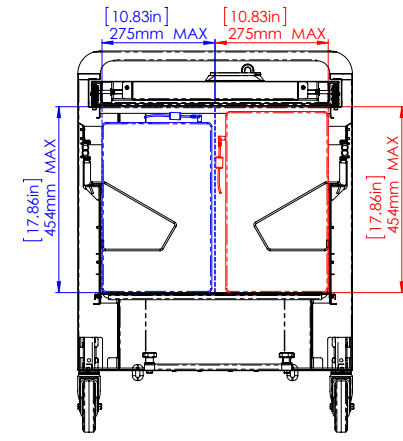
### Carrier 20



### Carrier 30



### Carrier 40



Device Rack	Cart Compatibility	Rack MFR Code & Description	Max Device Dimensions with Power Cable
Carrier 20 Device Rack	10131	10150: 10 slot device rack pair / 20 devices per cart	475mm x 274mm x 33mm • 18.7" x 10.8" x 1.3"
Carrier 30 Device Racks	10006, 10008, 10137	10106: 15 slot device rack pair / 30 devices per cart	442mm x 275mm x 33.5mm • 17.39" x 10.83" x 1.31"
	10006, 10008, 10137	10107: 13 slot device rack pair / 26 devices per cart	442mm x 275mm x 40mm • 17.39" x 10.83" x 1.57"
Carrier 40 Device Racks	10143	10108: 20 slot device rack pair / 40 devices per cart	454mm x 275mm x 32.5mm • 17.86" x 10.83" x 1.28"
	10143	10109: 18 slot device rack pair / 36 devices per cart	454mm x 275mm x 35.5mm • 17.86" x 10.83" x 1.397"

[www.lockncharge.com/eu](http://www.lockncharge.com/eu)

Phone: +44 (0) 208 441 4107 | [eurosupport@lockncharge.com](mailto:eurosupport@lockncharge.com)

Specifications and images are for illustration purposes only. Final product may differ. May not fit all devices. Please check the dimensions of the device and the Stainless Steel Device Rack. Contact us for more information.



lockncharge™