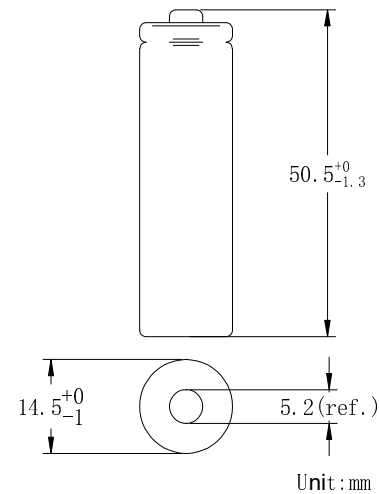


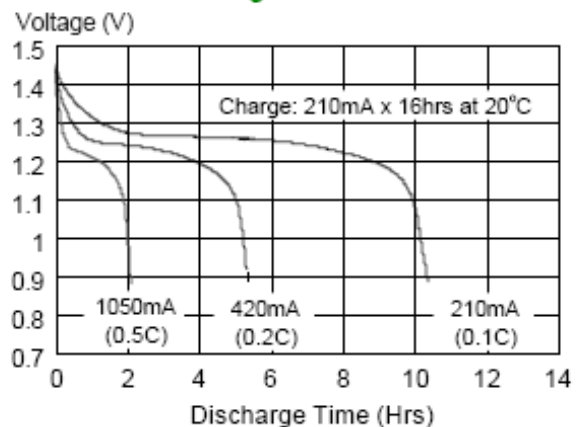
**DATA SHEET**

Model No.: GP210AAHCL

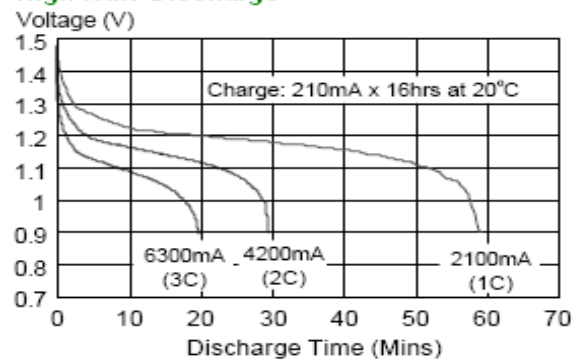
<b>Type</b>	: Rechargeable Nickel Metal Hydride Prismatic Batteries
<b>Nominal Dimension (with Sleeve)</b>	: $\Phi = 14.5\text{mm}$ H = 50.5mm
<b>Applications</b>	: Recommended discharge current 210 to 6300mA
<b>Nominal Voltage</b>	: 1.2V
<b>Capacity</b>	: Rated: 2100mAh Typical: 2150mAh When discharged at 420mA to 1.0V at 20°C
<b>Charging Condition</b>	: 210mA for 16 hrs at 20°C
<b>Charging Retention</b>	: 70% of nominal capacity after cell storage at 20°C for 12 months When discharged at 420mA to 1.0V at 20°C
<b>Fast Charge</b>	: 1050mA to 2100mA (0.5 to 1C) charge termination control recommended control parameters: - $\Delta V$ : 0-5mV DT/dt : 0.8°C/min (0.5 to 0.9C) 0.8 - 1°C/min (1C) TCO : 45 - 50°C Timer : 105% nominal input (for ref. only)
<b>Service Life</b>	: >200 cycles (IEC61951-2(2017)-7.5.1.2) >50 cycles (IEC61951-2(2017)-7.5.1.4) >500 cycles (refer to GP product specification)
<b>Continuous Overcharge</b>	: 210mA maximum current for 1 year. No conspicuous deformation and/or leakage
<b>Weight</b>	: 26.6g
<b>Internal Resistance</b>	: Average 18m $\Omega$ upon fully charged (Max. 28 m $\Omega$ ) at 1000Hz
<b>Max. Charge Voltage</b>	: 1.5V at 210mA charging
<b>Ambient Temperature Range</b>	: Charging: 0 to 45°C Fast Charging: 10 to 55°C Discharging: -20 to 50°C Storage: -20 to 35°C



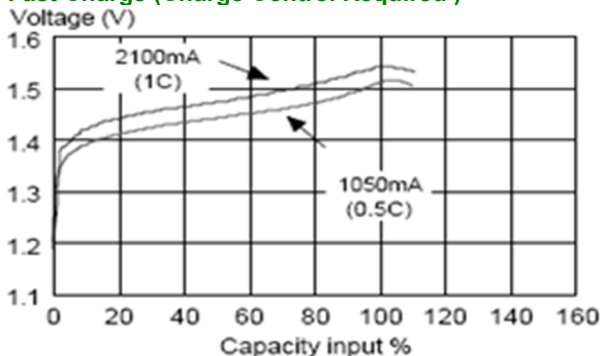
**Low Rate Discharge**



**High Rate Discharge**



**Fast Charge (Charge Control Required)**



The above information is generally descriptive only and is not intended as guarantee or warranty. Cell and battery specifications are subject to change without notice. All descriptions or warranties are contained solely in specification sheets accompanying outside those described in this document.

MRS6451 rev.00