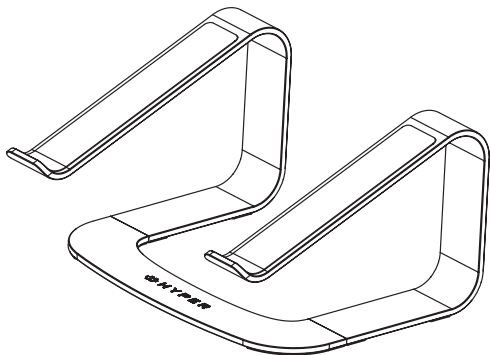




HYPERSPACE[®] Ergonomic Laptop Stand



USER GUIDE

Table of Contents

Safety Instructions	1
Copyright	1
Trademarks	1
Introduction	2
Package Contents	2
Installation Instructions	3
Product Overview	4
Specifications	5
Warranty	6
Safety Warnings	8
Technical Support	9

Before attempting to connect, operate or adjust this product, please save and read the User Guide completely. The style of the product shown in this User Guide may be different from the actual unit due to various models.

Copyright

This document contains proprietary information protected by copyright. All rights are reserved. No part of this guide may be reproduced by any mechanical, electronic or other means, in any form, without prior written permission of the manufacturer.

Trademarks

Hyper, the ++Hyper logo, and HyperDrive, and EcoSmart are trademarks or registered trademarks of Targus International LLC, in the U.S. and in certain other countries. Mac, iPod, and iPhone are trademarks of Apple Inc., registered in the U.S. and other countries. USB-C is a registered trademark of USB Implementers. The terms HDMI and HDMI High-Definition Multimedia Interface, and the HDMI Logo are trademarks or registered trademarks of HDMI Licensing Administrator, Inc. Chromebook, and Google are trademarks of Google LLC. All trademarks and registered trademarks are the property of their respective owners or companies.

© 2024 Targus International LLC, 1211 North Miller Street, Anaheim, CA 92806 USA. All rights reserved.

Introduction

The HyperSpace Ergonomic Laptop Stand elevates your laptop 5.6 inches off your desk, which is within the recommended ergonomic standard and the perfect angle for typing and viewing. This fixed height stand has been designed to hold all laptops up to 16" in size, and features a sturdy, aluminium design with non-slip silicone grips on the bottom and arms as well as raised edges to stop the laptop moving and coming off the stand.

Package Contents

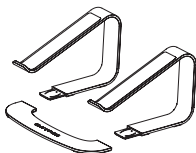
- HyperSpace Ergonomic Laptop Stand
- User Guide

Requirements

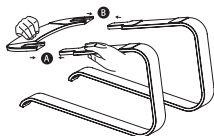
HyperSpace Laptop Stand support for one Laptop up to 16".

Installation Instructions

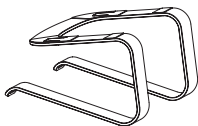
1



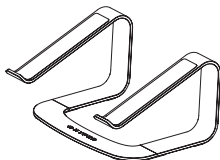
2



3



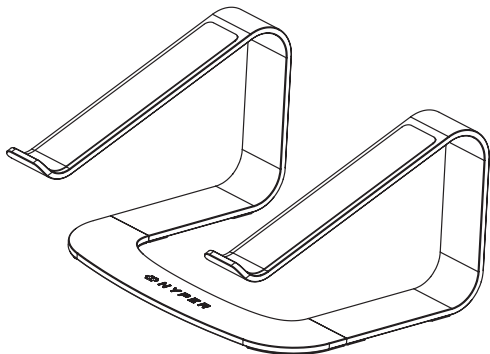
4



5



Product Overview



Item	Description
Ergonomic Laptop Stand	Support for one Laptop up to 16"

Specifications

Dimension & Weight	Length	275mm / 10.83inches
	Width	239.5mm / 9.43inches
	Height	150mm / 5.9inches
Weight		702g / 1.55lb

2 YEAR LIMITED WARRANTY

PORTUGAL AND SPAIN CUSTOMERS: 3 YEARS LIMITED WARRANTY OR AS REQUIRED BY LOCAL LAWS.

We pride ourselves on the quality of our products. For complete warranty details and a list of our Worldwide offices, please visit www.HyperShop.com. Hyper product warranty does not cover any device or product that is not manufactured by Hyper (including, but not limited to, laptops, smartphones, devices, or any other product that may be used in connection with the Hyper product). Hyper Limited Warranty provided is subject to any rights and remedies the purchaser may have under local laws. ©2024 Hyper Products Inc 46721 Fremont Blvd, Fremont, CA 94538. All rights reserved.

2 ANS DE GARANTIE LIMITÉE

CLIENTS DU PORTUGAL ET DE L'ESPAGNE: GARANTIE LIMITÉE DE 3 ANS OU TEL QUE REQUIS PAR LES LOIS LOCALES.

Nous sommes fiers de la qualité de nos produits. Pour obtenir les détails complets de la garantie et la liste de nos bureaux dans le monde, veuillez consulter le site www.HyperShop.com. La garantie des produits Hyper ne couvre aucun appareil ou produit qui n'est pas fabriqué par Hyper (y compris, mais sans s'y limiter, les ordinateurs portables, les smartphones, les appareils ou tout autre produit pouvant être utilisé en relation avec le produit Hyper). La garantie limitée Hyper fournie est soumise à tous les droits et recours dont l'acheteur peut disposer en vertu des lois locales. ©2024 Hyper Products Inc 46721 Fremont Blvd, Fremont, CA 94538. Tous droits réservés.

2 AÑOS DE GARANTÍA LIMITADA

PARA CLIENTES PORTUGUESES Y ESPAÑOLES: GARANTÍA LIMITADA DE 3 AÑOS O SEGÚN LO REQUIERA LA LEGISLACIÓN LOCAL

Estamos orgullosos de la calidad de nuestros productos. Para obtener información acerca de la garantía completa y consultar nuestra lista de oficinas en todo el mundo, visite www.HyperShop.com. La garantía del producto de Hyper no cubre ningún dispositivo o producto que no haya sido fabricado por Hyper (incluyendo, entre otros, ordenadores portátiles, smartphones, dispositivos o cualquier otro producto que pueda utilizarse con el producto de Hyper). La Garantía Limitada de Hyper proporcionada está sujeta a cualquier derecho y recurso que el comprador pueda tener según la legislación local. ©2024 Hyper Products Inc 46721 Fremont Blvd, Fremont, CA 94538. Reservados todos los derechos.

AUSTRALIAN AND NEW ZEALAND CONSUMERS ONLY

Thank you for your purchase. Hyper warrants to the original purchaser that its products are free from defects in materials and workmanship and, during the specified warranty period, and lasts as long as the original purchaser owns the product. The warranty period is stated on the packaging or in the documentation provided with this Hyper product. Hyper's Limited Product Warranty excludes damage caused by accident, neglect, abuse, misuse, improper care, normal wear and tear, ownership transfer, or alteration. The limited warranty also excludes any product that is not manufactured by Hyper (including, without limitation, laptops, smartphones, devices, tablets, or any other non-Hyper item) that is used in connection with the Hyper product. In the event that the Hyper product has a defect in materials or workmanship Hyper will, after receiving a warranty claim and inspecting the product, at its discretion, do one of the following: repair, replace, or refund with the same or a similar product (or part) of no lesser quality and ship it to the original purchaser at Hyper's expense. As part of this inspection, proof of purchase will be required. There is no charge for inspection. To make a warranty claim, please contact Hyper Australia or New Zealand (see details below), or return the product to the place of purchase. The original purchaser must bear the cost of the delivery to Hyper. Under Australian and/ or New Zealand Consumer Laws, in addition to any warranty

Hyper gives, our products come with guarantees that cannot be excluded. You are entitled to a replacement or refund for a major failure and compensation for any other reasonably foreseeable loss or damage. You are entitled to have the products repaired or replaced if they fail to be of acceptable quality and the failure does not amount to a major failure.

For any warranty question, contact Targus Australia Pty. Ltd. (i) by mail at Suite 2, Level 8, 5 Rider Boulevard, Rhodes NSW 2138, by phone AUS 1800 641 645 or NZ 0800 633 222 or by Email: infoaust@targus.com. For additional information, check out our website at targus.com/au/warranty.

Safety Warnings

- Do not expose to moisture or submerge in liquid.
- Store in a cool, dry place. Recommended Storage temperature: -20°C/-4°F to 80°C/176°F.
- Do not disassemble or attempt to re-purpose or modify the product in any manner.
- Stop using and contact manufacturer if the product is excessively hot, emitting odor, deformed or if you witness any other abnormalities.
- Avoid strenuous vibration, impact, extrusion on transportation, and keep the product away from intense sunlight and rain.
- Please dispose of discarded products properly according to local regulations.
- Do not clean with harmful chemicals or detergents.
- Keep away from children under 3 years old for safety.
- Be cautious of drops, bumps, abrasions, or impact.

Technical Support

For technical questions, please visit:

Hyper Customer Support Email:
support@hypershops.com

US Internet:
<http://targus.com/us/support>

Canada Internet:
<http://www.targus.com/ca/support>

Australia Internet:
<http://www.targus.com/au/support>

Email:
infoaust@targus.com

Telephone:
1-800-641-645

New Zealand Telephone:
0800-633-222

Latin America Email:
latam.soporte@targus.com

© 2024 HYPER PRODUCTS INC
All rights reserved.

20/05/2024 23451