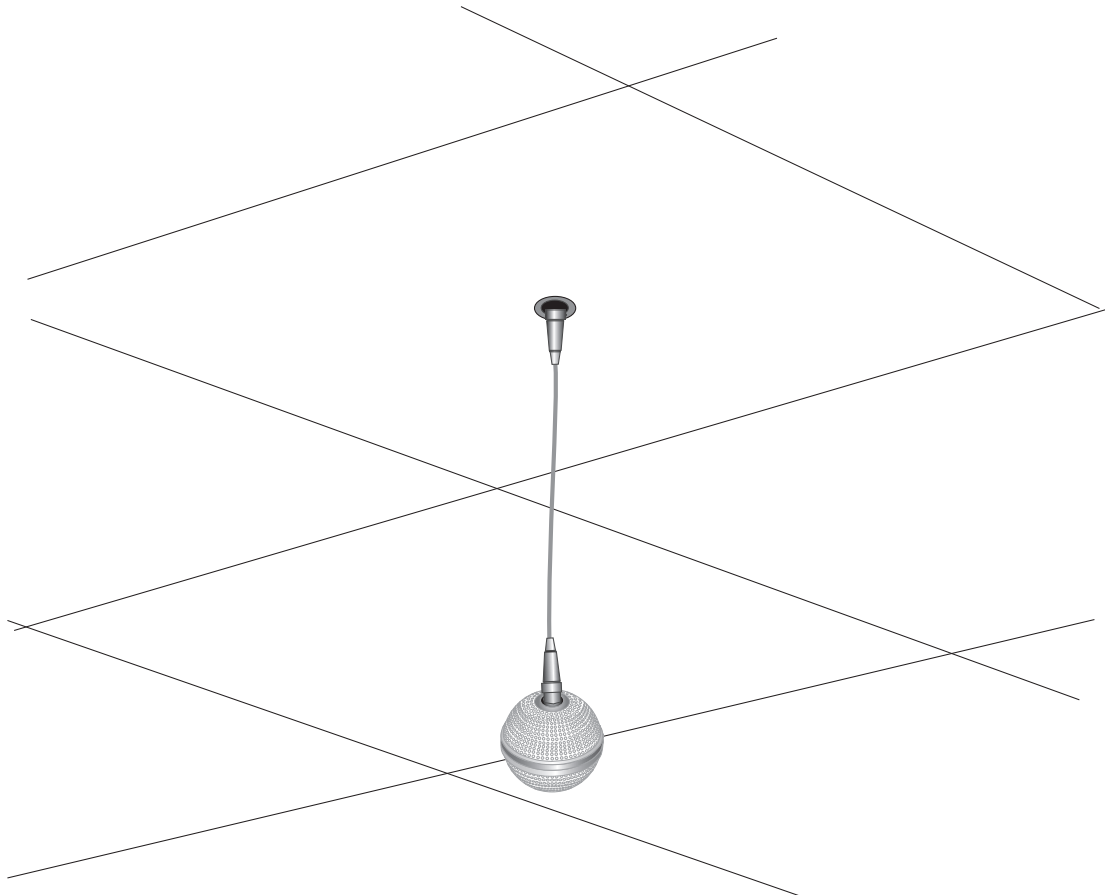


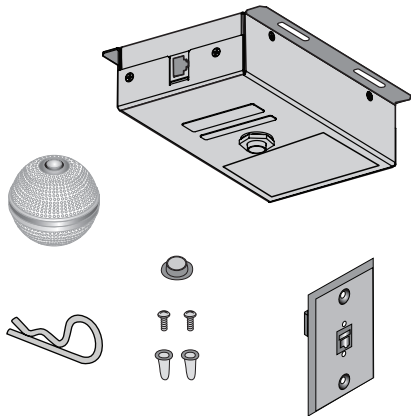
# Poly IP Ceiling Microphone Array



Before you begin, make sure that your ceiling can support up to .9 kg (2 lbs). Also, verify that the installation parameters described in this document comply with the code requirements in your local jurisdiction.



## Poly IP Ceiling Microphone Array



.6 m (2 ft)  
2457-85785-024



2.1 m (7 ft)  
non-plenum straight-  
through  
(Use between wall plate and codec only. Do  
not use for any other application.)  
2457-17977-007



15.2 m (50 ft)  
shielded plenum  
crossover, RJ-45  
(Use between electronics enclosure and  
codec and between electronics enclosure  
and wall plate.)  
2457-85361-001



If you are creating your own RJ-45 cables, refer to the *Polycom RealPresence Group Series Integrator Reference Guide* at <http://support.polycom.com>. Ensure that the cables meet all local building code regulations.

1

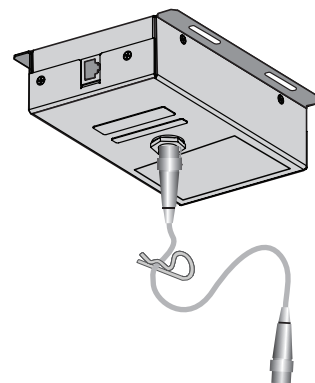


Verify that the number of pins on the cable connector matches the number of pins on the connector on the electronics enclosure.

If you do not have a suspended ceiling in your room, continue with Step 13 on page 5.

For suspended ceilings

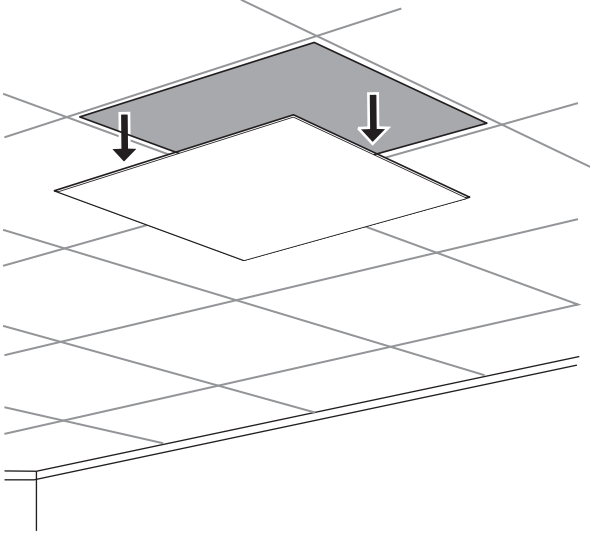
2



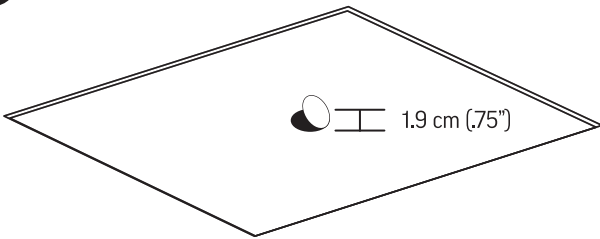
If height adjustments are required for the microphone ball, clip the cable clip onto the cable. When you later place the electronics enclosure on the ceiling tile, you can rest the clip above the hole in the ceiling tile and adjust the length of the cable as needed.

For suspended ceilings (continued)

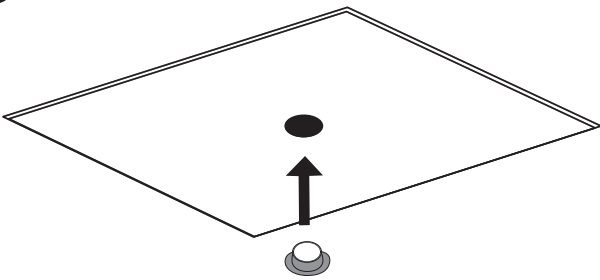
3



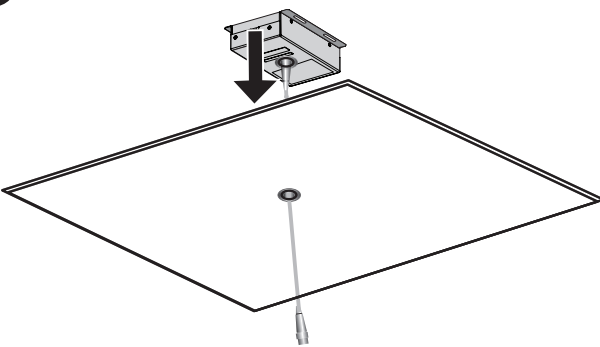
4



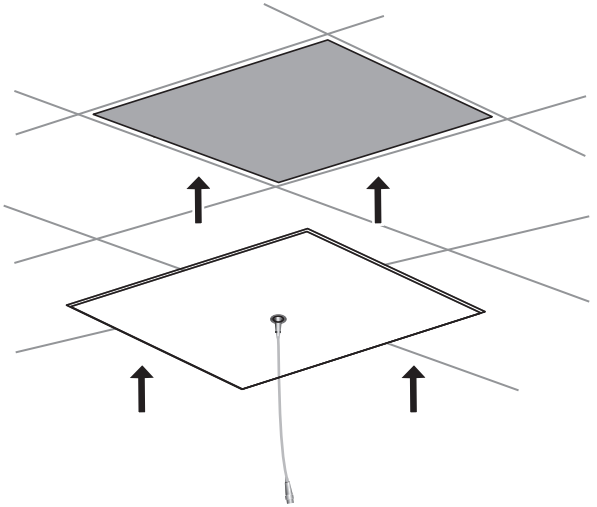
5



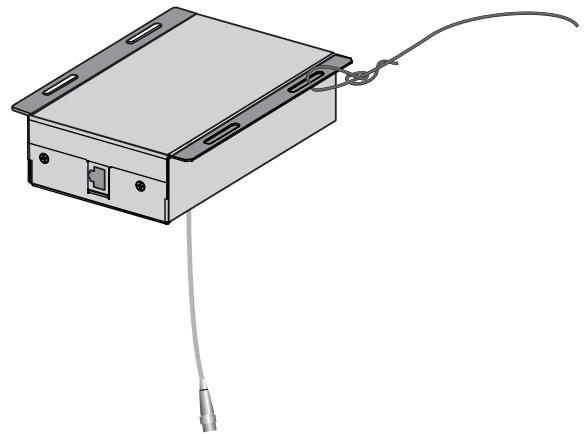
6



7



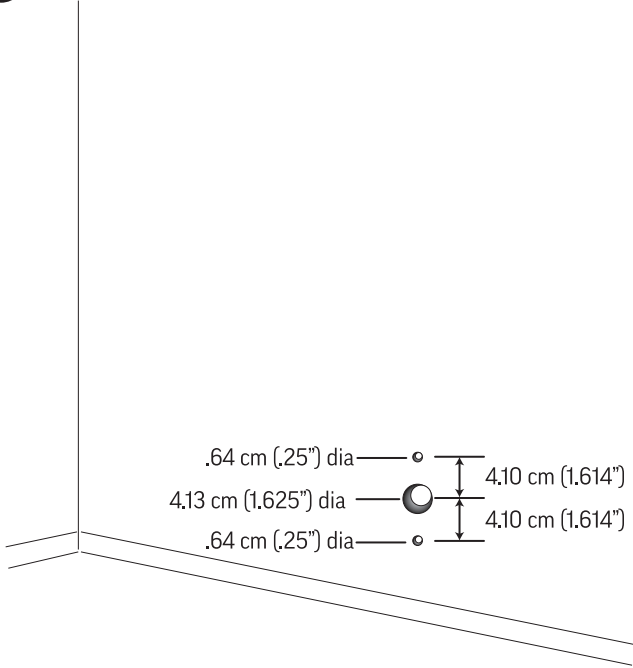
8 Optional



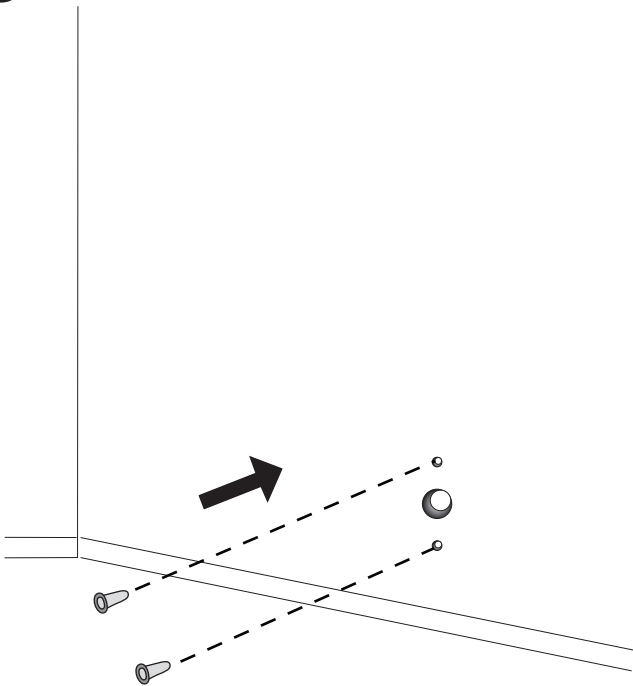
For added safety when removing the ceiling tile at a later time, securely attach the electronics enclosure to the ceiling supports using suitable wire or other hardware appropriate for your ceiling type and in accordance with local regulations. Be sure that the length of wire you use to secure the electronics enclosure is short enough to prevent the enclosure from striking the person removing the ceiling tile.

For suspended ceilings (continued)

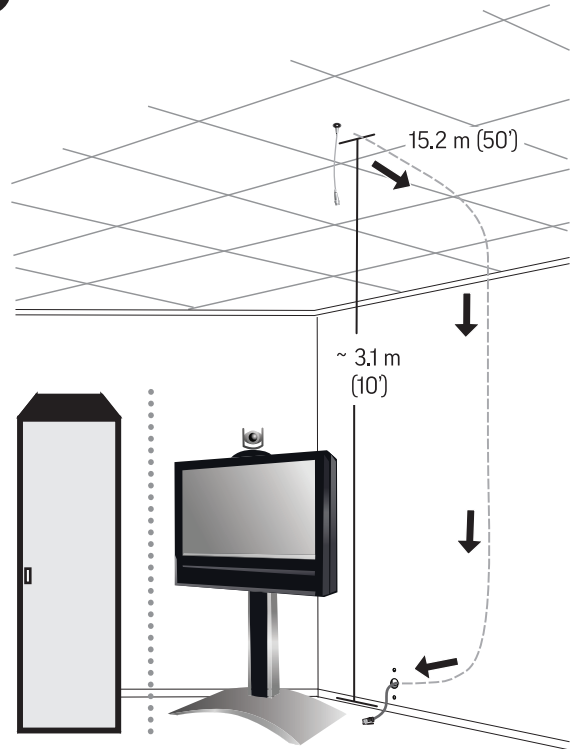
9



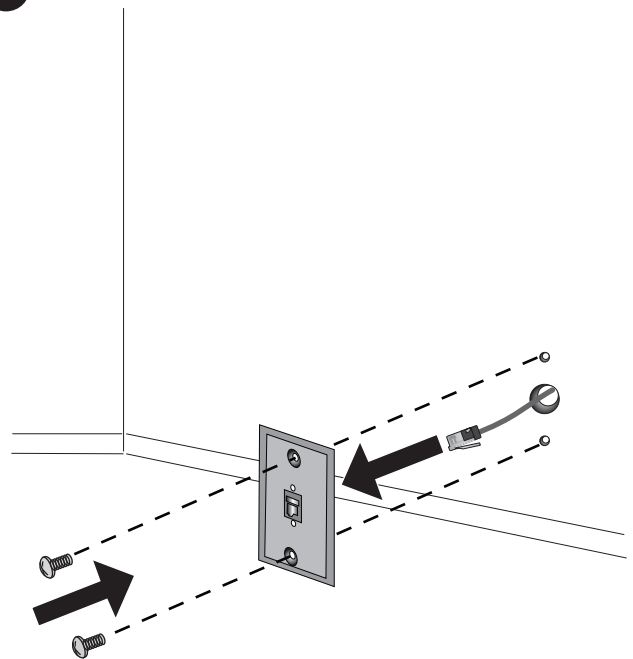
10



11

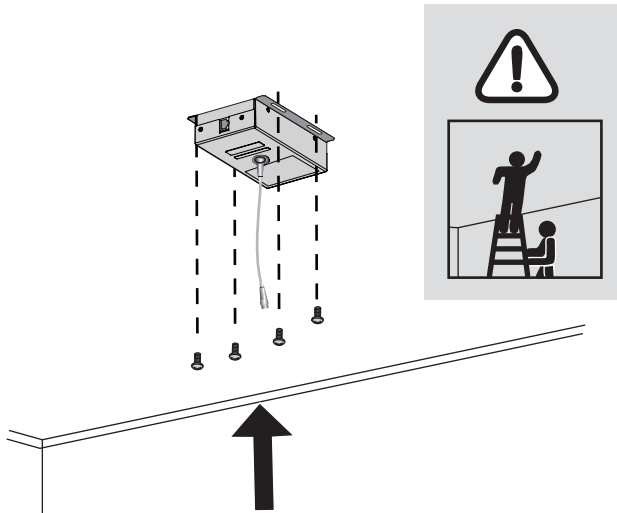


12



For ceilings that are not suspended

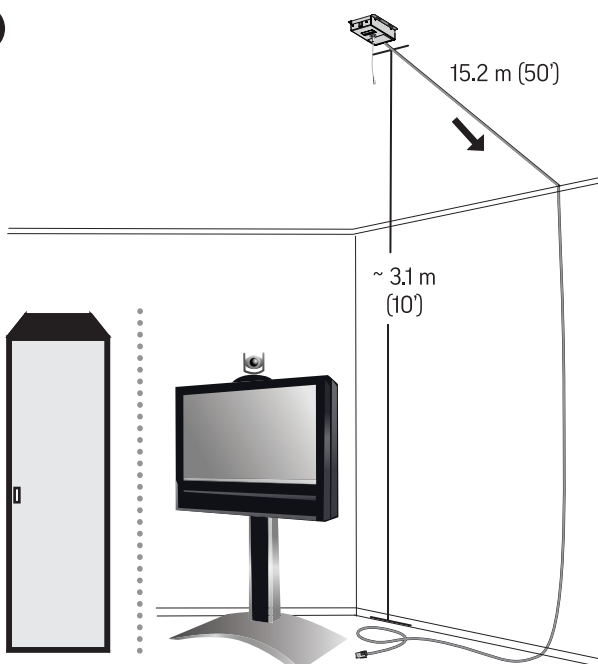
13



To attach the electronics enclosure, use suitable hardware for your ceiling type. Poly recommends using four screws and bolts at least 3mm in diameter and at least 25mm in length to mount the electronics enclosure to a solid surface. If the mounting surface is not solid, use an alternative fixing method to ensure that the mounted device can withstand a pull force of 50N without detaching.

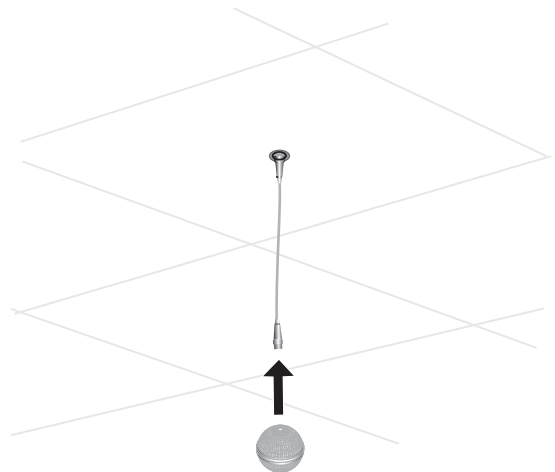
Align the enclosure so that when the IP ceiling microphone is attached, the dot on the IP ceiling microphone points toward the main display, as shown in Step 16.

14

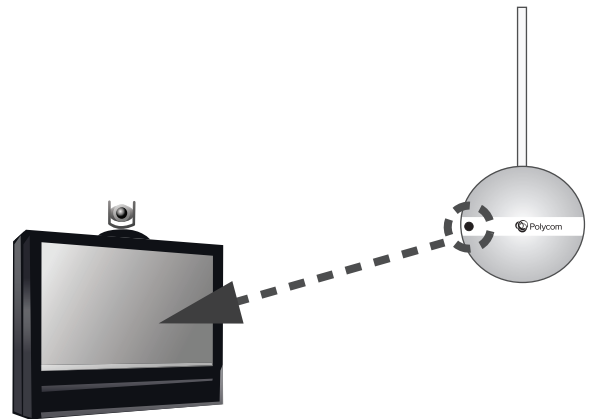


For all ceilings

15



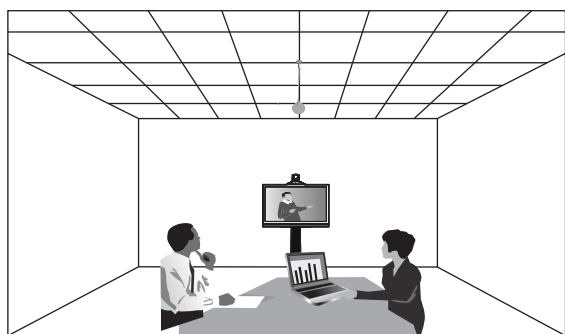
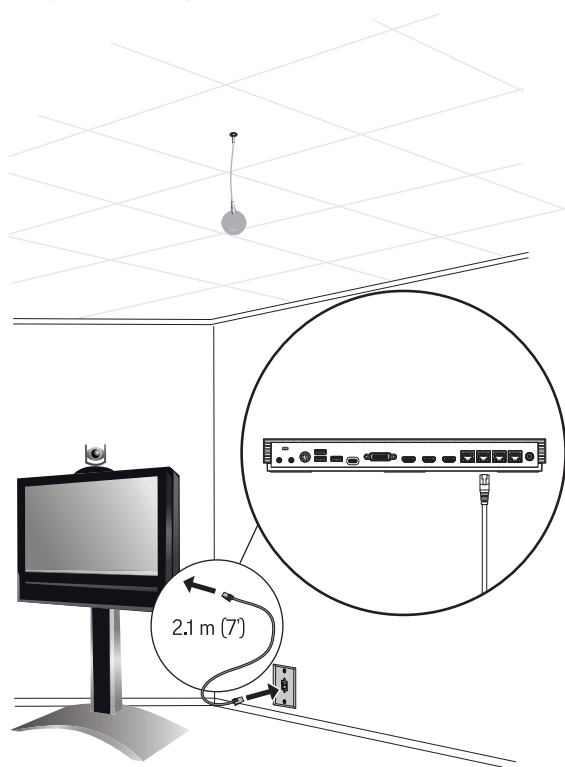
16



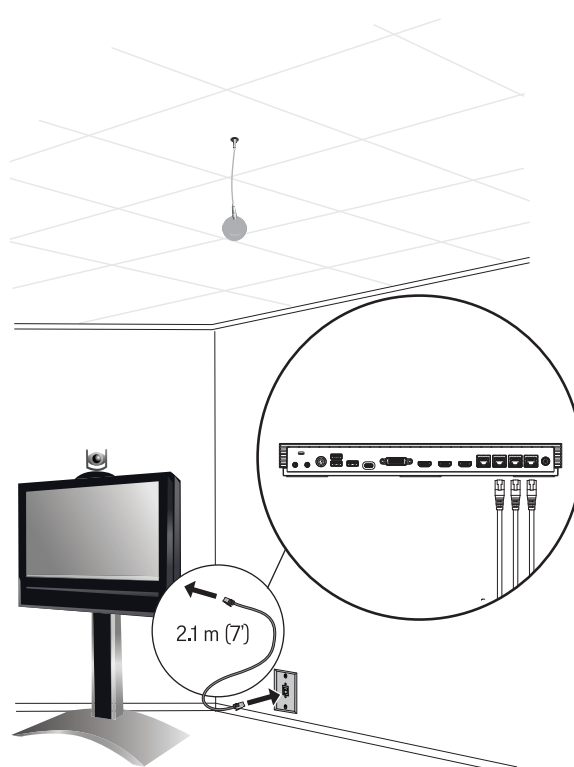
Point the dot (located on the band around the middle of the microphone ball) toward the main display.

For all ceilings (continued)

**17** Poly G7500 Systems

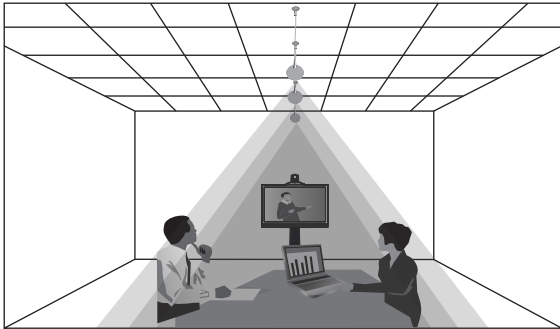
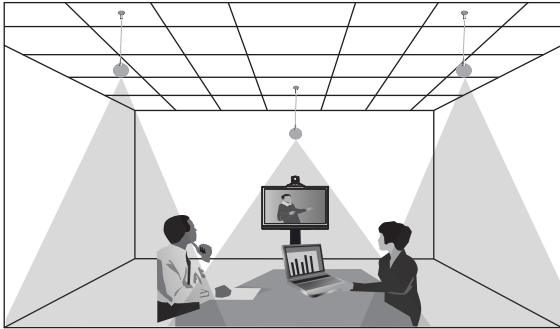
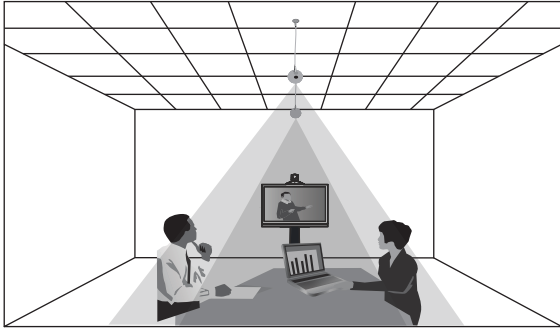


**18** Poly G7500 Systems with Multiple IP Ceiling Microphones



If you plan to install another IP Ceiling Microphone Array in the same room, refer to step 18. The Poly G7500 system has a maximum number of three digital microphone arrays.

For information about optimally placing the microphones to send stereo audio for Poly G7500 systems, refer to the *Poly G7500 Administrator Guide*, available at <http://support.polycom.com>.



For information about optimally placing the microphones to send stereo audio for Poly G7500 systems, refer to the *Poly G7500 Administrator Guide*, available at <http://support.polycom.com>.

**For RealPresence Group Series Ceiling Microphone Arrays**

For information about connecting RealPresence Group Series ceiling microphones to the Poly G7500 system, refer to the *Poly Microphone IP Adapter Setup Sheet*, available at <http://support.polycom.com>.

[www.polycom.com/support](http://www.polycom.com/support)

