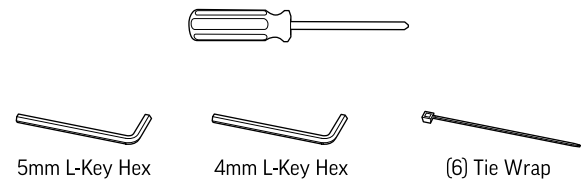




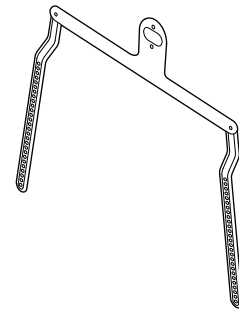
QUICK START

POLY STUDIO E70 CAMERA
DISPLAY MOUNT

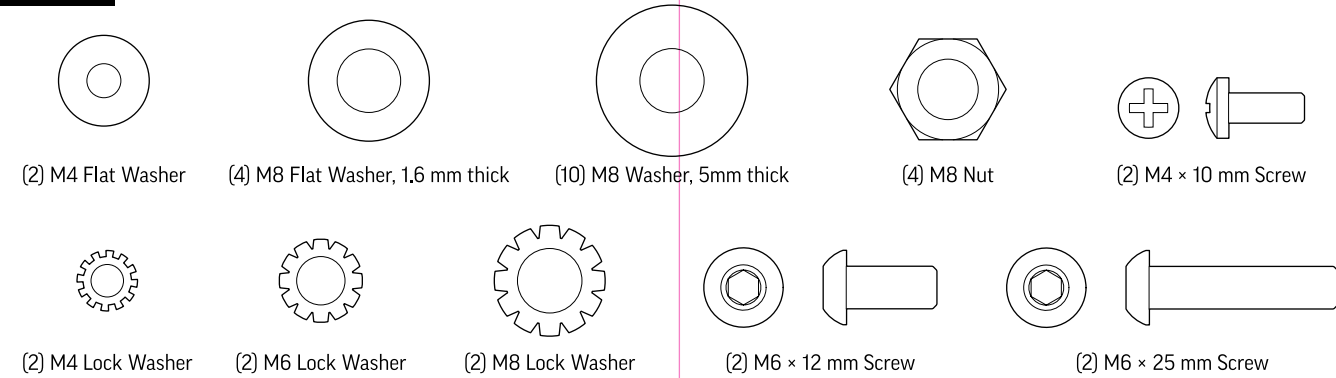
TOOLS



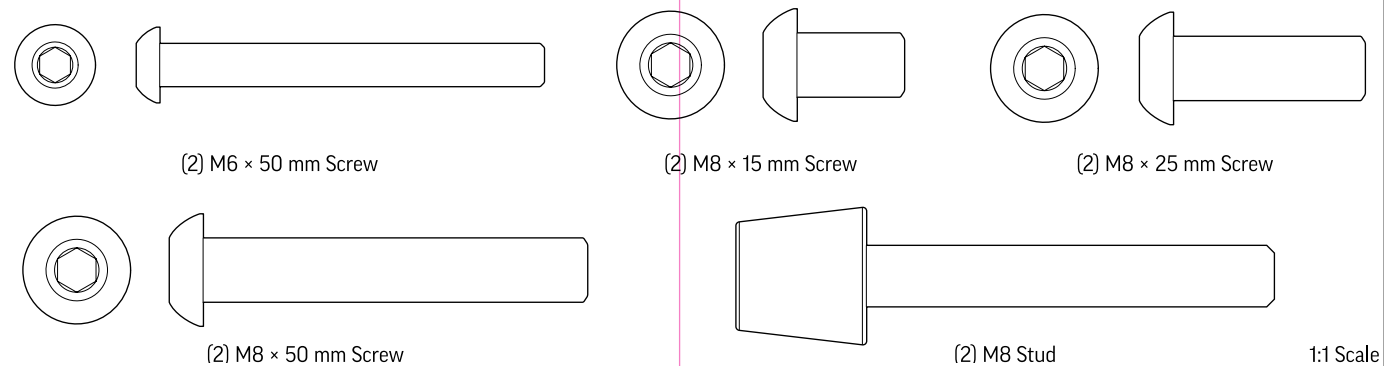
CONTENTS



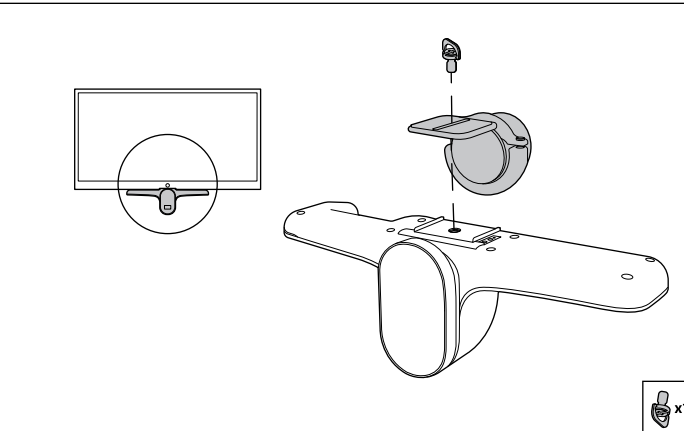
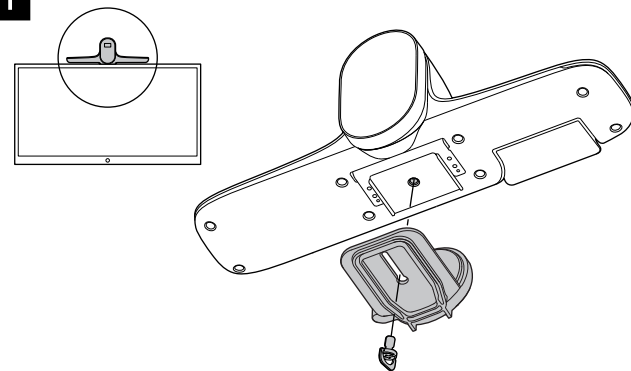
HARDWARE



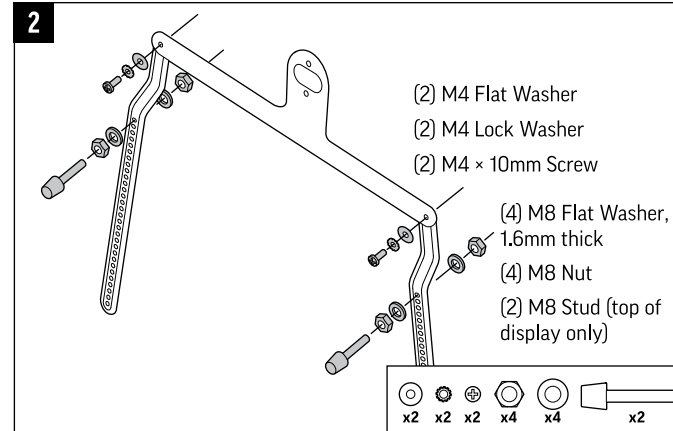
HARDWARE



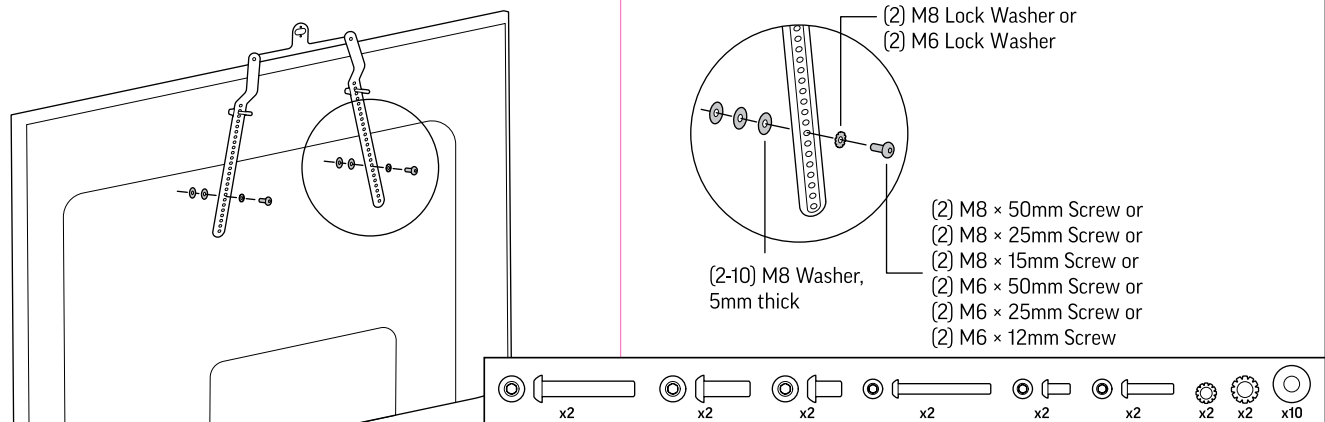
1



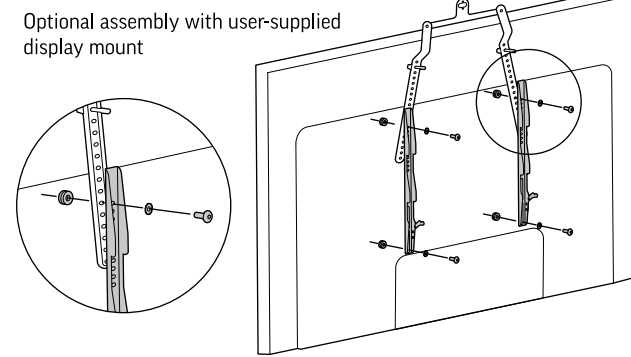
2



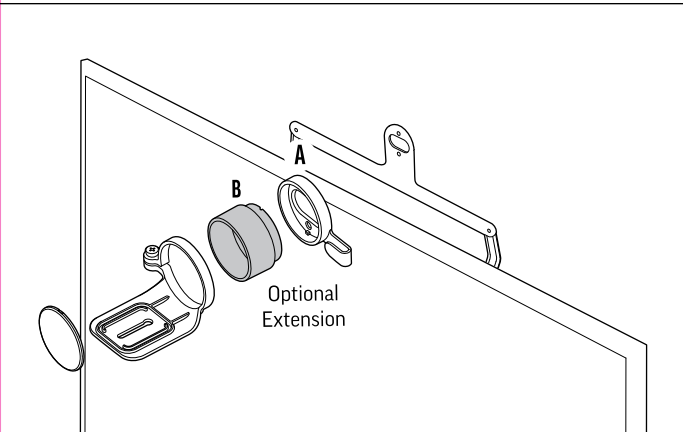
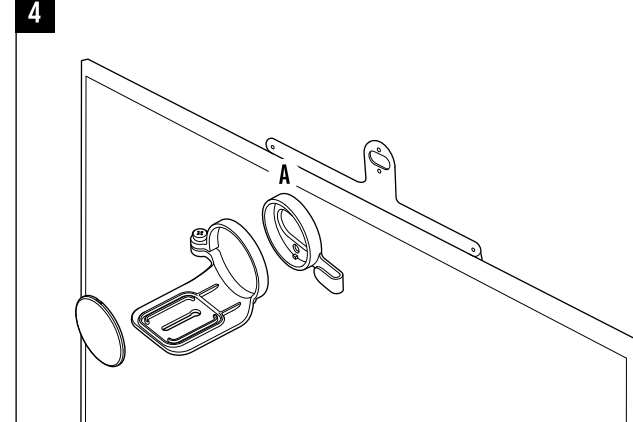
3



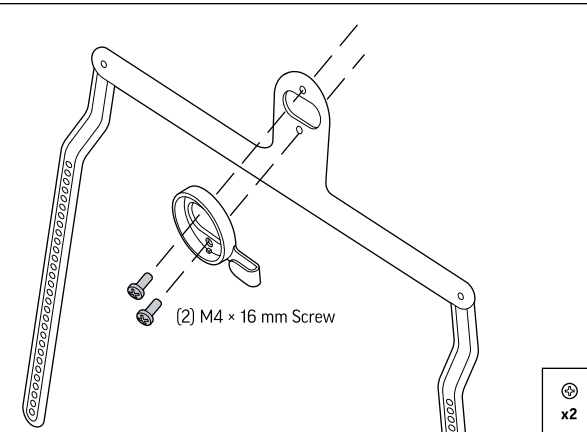
OPTIONAL



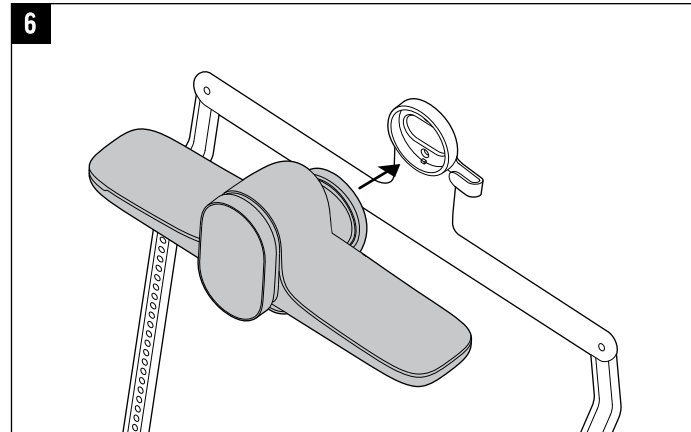
4



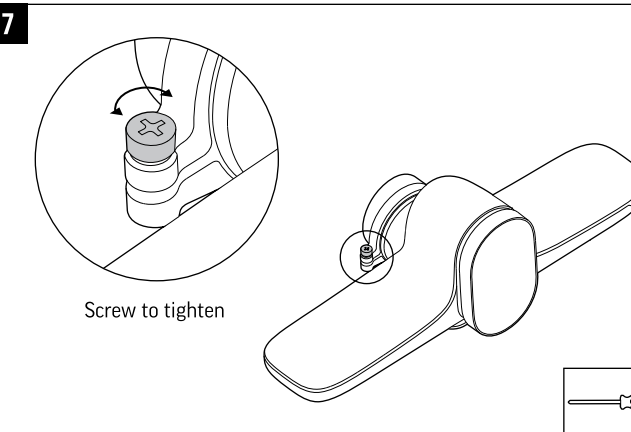
5



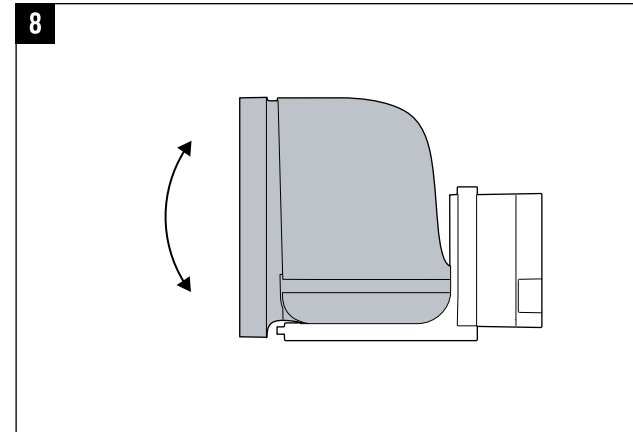
6



7



8



www.poly.com/setup/studio-e70

© 2021 Plantronics, Inc. All rights reserved. Poly, the propeller design, and the Poly logo are trademarks of Plantronics, Inc. All other trademarks are the property of their respective owners. Manufactured by Plantronics, Inc.

Recyclable where facilities exist

1725-87233-001C 08.21