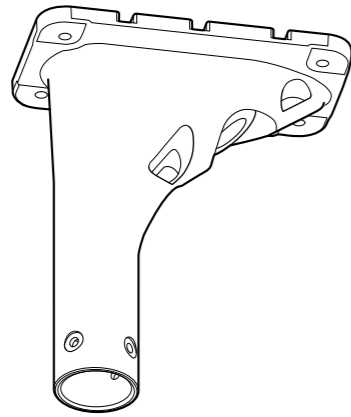


## Operating Instructions

### Included Installation Instructions

### Ceiling Mount Bracket

Model No. **WV-QCL501-W**



- Before attempting to connect or install this product, please read these instructions carefully and save this manual for future use.
- The external appearance and other parts shown in this manual may differ from the actual product within the scope that will not interfere with normal use due to improvement of the product.

**i-PRO Co., Ltd. assumes no responsibility for injuries or property damage resulting from failures arising out of improper installation or operation inconsistent with this documentation.**

For U.S. and Canada:

i-PRO Americas Inc.

For Europe and other countries:

i-PRO EMEA B.V.

<https://www.i-pro.com/>

© i-PRO Co., Ltd. 2022

\* PGQX2395YA \* Ns0420-1042  
Printed in China

### Caution:

- Before attempting to connect or operate this product, please read these instructions carefully.

### Notice:

- This product is not suitable for use in locations where children are likely to be present.
- Do not install this product in locations where ordinary persons can easily reach.
- For information about screws and brackets required for installation, refer to the corresponding section of this document.

## Precaution

- **Do not use this product except with suitable cameras or brackets.**

Failure to observe this may cause a drop resulting in injury.

- **Refer installation work to the dealer.**

Installation work requires technique and experiences.

Failure to observe this may cause fire, electric shock, injury, or damage to the product.

Be sure to consult the dealer.

- **The measures of protection against snowfall shall be taken.**

Weight of snow may cause a fall of the product resulting in injury or accidents.

Protect the product against snowfall by installing it under eaves.

- **Do not rub the edges of metal parts with your hand.**

Strong rubbing may cause injury.

**When using this product, also read the "Precautions" described in the operating instructions for the camera to be attached.**

## Preface

This product is used for installing the network camera on a ceiling.

For the latest information about the supported cameras and brackets, refer to our support website ([https://i-pro.com/global/en/surveillance/training\\_support/support/technical\\_information](https://i-pro.com/global/en/surveillance/training_support/support/technical_information) <Control No.: C0501, C0112>).

## Specifications

Ambient operating temperature:	-50 °C to +60 °C [-58 °F to 140 °F]
Dimensions:	120 mm (W) x 269 mm (H) x 220 mm (D) {4-23/32 inches (W) x 10-19/32 inches (H) x 8-21/32 inches (D)}
Mass:	Approx. 1.9 kg (4.19 lbs)
Finish:	Aluminum die cast i-PRO white

## Precautions for installation

- **In order to prevent injury, the product must be securely mounted to the ceiling according to the Operating Instructions.**
- **Mounting method for this product**

This product is designed to be hanged from the ceiling. If it is mounted on a desktop or at a slant, the camera may not work correctly and its lifetime may be shortened.

- **Make sure to remove this product if it will no longer be used.**

## Standard accessories

Operating Instructions (this document).....	1 pc.
Cable cap.....	2 pcs.
Camera mounting screw (Hexagon screw (M6)).....	5 pcs. (of them, 1 for spare)

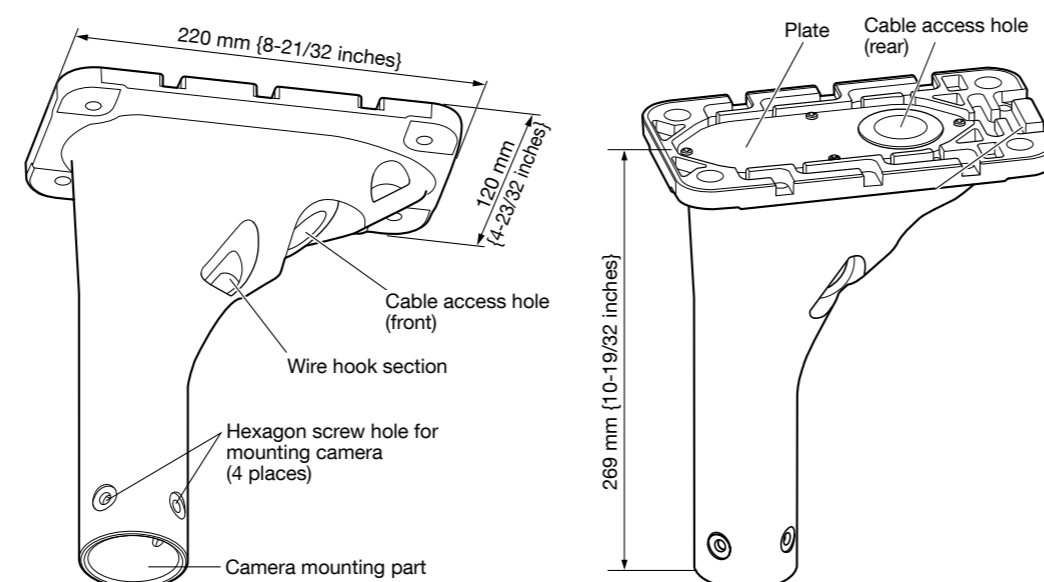
## Other items that are needed (not included)

Fixing screw (M10) or anchor.....	4 pcs.
-----------------------------------	--------

### IMPORTANT

- Minimum pullout strength: 1411 N (317 lbf) (per 1 pc.)
- Refer to our support website ([https://i-pro.com/global/en/surveillance/training\\_support/support/technical\\_information](https://i-pro.com/global/en/surveillance/training_support/support/technical_information) <Control No.: C0120>) for information on the minimum pull-out strength.
- Select screws according to the material of the location that the camera will be mounted to. In this case, wood screws and nails should not be used.

## Parts and functions



## Installation/Connections

Be sure to read "Precautions" and "Precautions for installation" before installation.

**Refer to the operating instructions of the camera or the bracket for details including the camera or bracket mounting, their adjustment and the cable connection.**

The installation of the ceiling mount bracket is roughly divided into 2 methods.

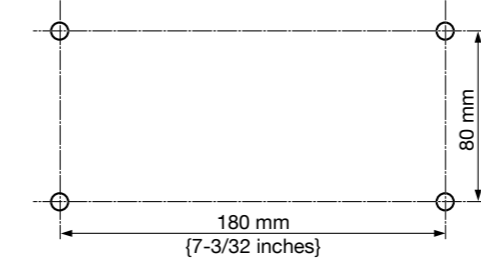
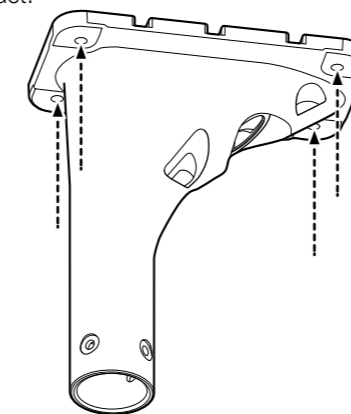
Refer to the applicable description.

- When laying cables through the cable access hole (front)
- When laying cables after drilling a hole through the ceiling

### ■ When laying cables through the cable access hole (front)

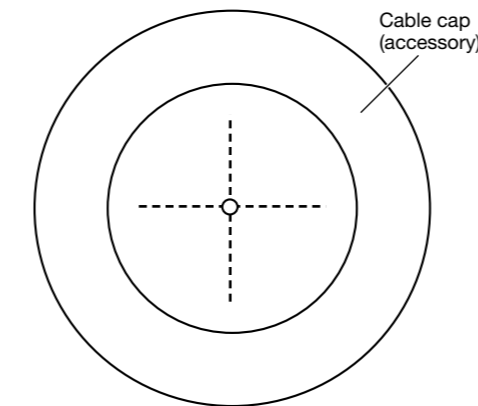
#### Step 1

Decide the mounting position and then drill holes for fixing screws or anchors in the ceiling. Procure 4 pieces of M10 fixing screws or anchors to secure this product on the ceiling. All fixing screws or anchors shall be stainless steel. The hole diameter for fixing screws or anchors shall be decided in accordance with the fixing screws or anchors to be used. A hole on the ceiling with a diameter of 30 mm (ø1-3/16 inches) or less for a fixing screw or an anchor can be hidden with this product.



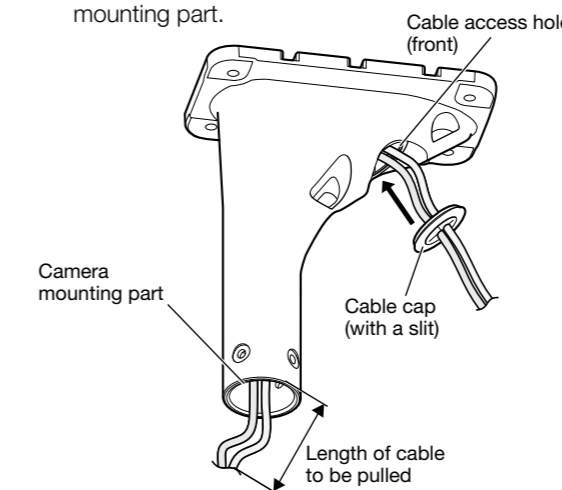
#### Step 2

Make a slit in the center of the cable cap (accessory) with a cutter.



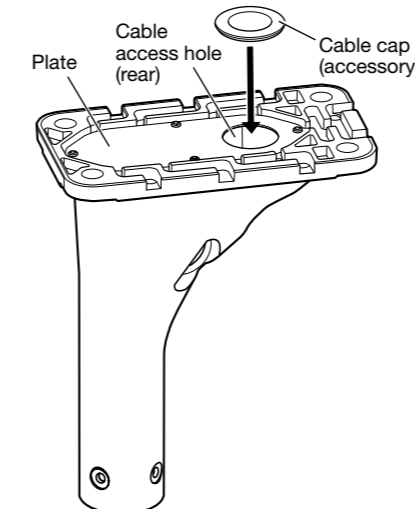
#### Step 3

Pass the cable cap through the cable and then pass the cable into this product. Mount the cable cap to the cable access hole (front). Refer to each manual of the camera and the bracket for further information about the length of the cable to be pulled out from the camera mounting part.



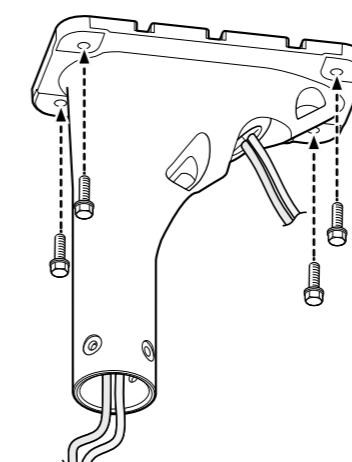
#### Step 4

Mount another cable cap (accessory) on the cable access hole (rear) on the plate on the rear side of the bracket.



#### Step 5

Mount this product on the ceiling with fixing screws (4 pcs.) (M10: locally procured). Minimum pull-out strength: 1411 N (317 lbf) per 1 pc.

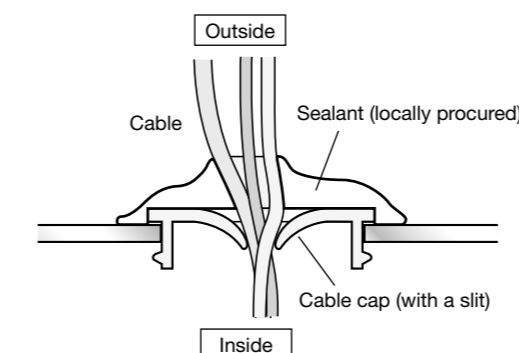


### Note:

- Apply a waterproofing to the holes for fixing this product on the ceiling.

#### Step 7

Refer to each manual of the camera and the bracket for further information about cable connection and how to install the camera or the bracket.



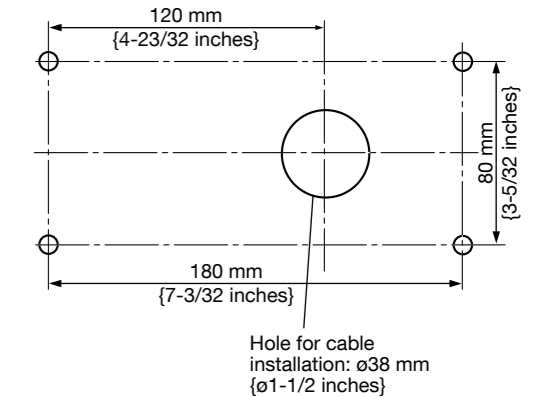
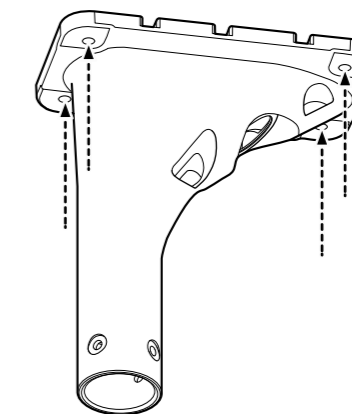
### ■ When laying cables after drilling a hole through the ceiling

#### Step 1

Decide the mounting position, and drill a hole for a fixing screw or an anchor and a hole for cable installation in the ceiling.

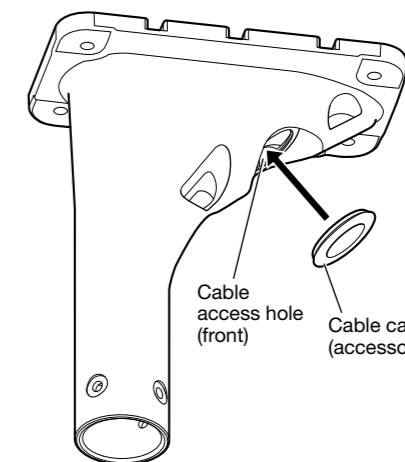
Procure 4 pieces of M10 fixing screws or anchors to secure this product on the ceiling. All fixing screws or anchors shall be stainless steel. The hole diameter for fixing screws or anchors shall be decided in accordance with the fixing screws or anchors to be used.

A hole on the ceiling with a diameter of 30 mm (ø1-3/16 inches) or less for a fixing screw or an anchor can be hidden with this product.



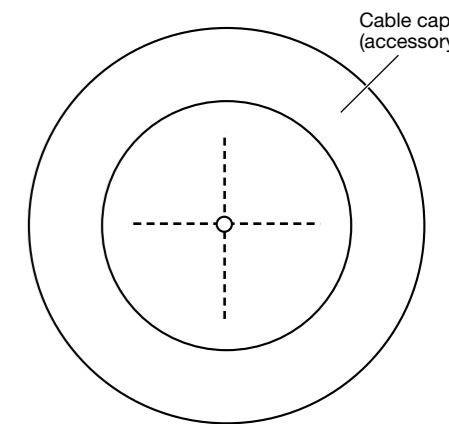
#### Step 2

Mount the cable cap (accessory) on the cable access hole (front).



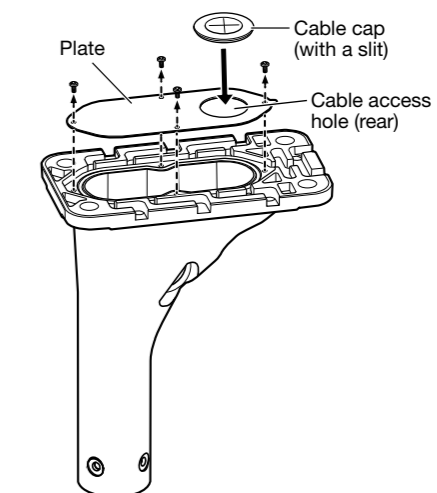
#### Step 3

Make a slit in the center of another cable cap (accessory) with a cutter.



#### Step 4

After removing the screws (4 pcs.) from the rear side of the bracket, remove the plate and mount the cable cap in which a slit was made in Step 3 on the cable access hole (rear).



#### Step 5

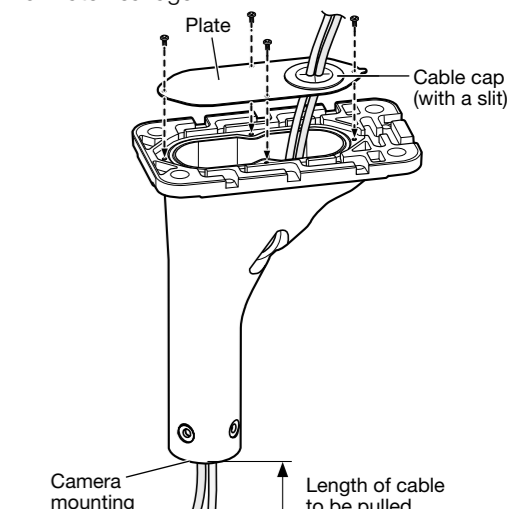
Pass the cables from the ceiling through the cable cap (with a slit) on the plate and then through this product.

Refer to each manual of the camera and the bracket for further information about the length of the cable to be pulled out from the camera mounting part.

Secure the plate with the screws (4 pcs.) removed in Step 4 on the rear side of the bracket.

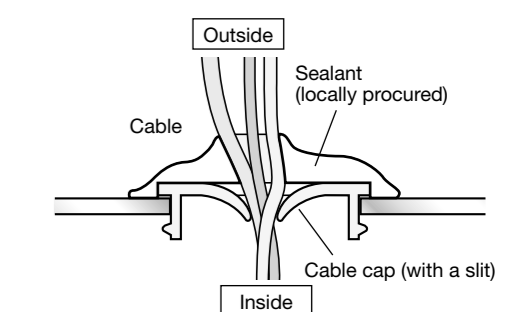
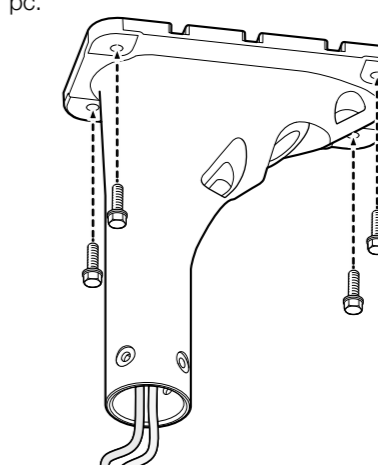
(Recommended tightening torque: 0.78 N·m (0.58 lbf-ft))

Seal the slit of the cable cap for the prevention of water leakage.



#### Step 6

Mount this product on the ceiling with fixing screws (4 pcs.) (M10: locally procured). Minimum pull-out strength: 1411 N (317 lbf) per 1 pc.



### Note:

- Apply a waterproofing to the holes for fixing this product on the ceiling and the cable inlet.

#### Step 7

Refer to each manual of the camera and the bracket for further information about cable connection and how to install the camera or the bracket.