

Apollo Series Conference Video Bar & Switcher

APO-VX20-UC



Quickstart Guide

WyreStorm recommends reading through this document in its entirety to become familiar with the product's features prior to starting the installation process.



IMPORTANT! Installation

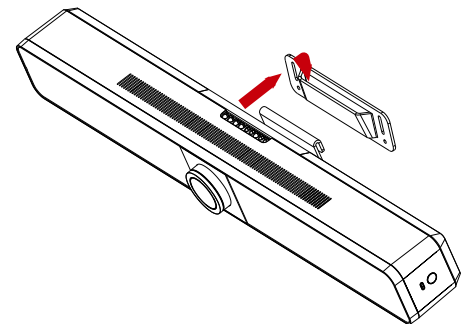
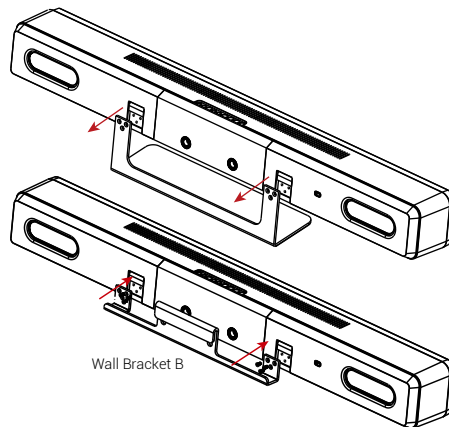
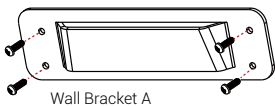
- Visit the product page to download the latest firmware, document version, additional documentation, and configuration tools.

In the Box

- 1x APO-VX20-UC Video Bar
- 1x 24V 5A Power Supply (UK/US/EU/AU)
- 1x 5m HDMI Cable
- 1x 5m USB-B 3.0 Host Cable
- 1x Wall Mount Kit
- 1x Bluetooth Remote
- 1x Magnetic Lens Cap
- 1x Quickstart Guide (This Document)

Wall Mounting Installation

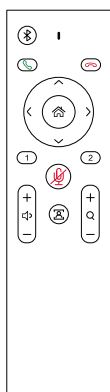
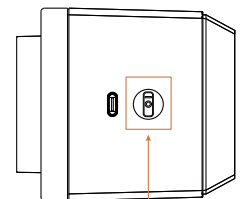
1. Attach Bracket A to the wall with the provided screws, ensuring the mount is level.
2. Remove the table stand from the VX20 and attach Bracket B to the device.
3. Insert the lip of Bracket B onto Bracket A



Bluetooth Remote Pairing and Button Guide

The VX20 includes a Bluetooth remote. By default, the remote is already paired with the video bar. However, follow the below steps if the remote should need to be re-paired or a replacement remote is acquired.

1. Press and hold the pairing button on the VX20's right side for 2 second, the status LED will blink blue, which indicates that the device enters Bluetooth pairing mode.
2. On the Bluetooth remote, press and hold the + buttons until the red LED flashes. The remote will then automatically pair to the video bar.



Button	Description
	Button to make the device pair with Apollo VX20. See Bluetooth Remote Pairing for more information.
	Press to answer calls*
	Press to disconnect calls.*
	Press to revert back to the default camera view.**
	Press to perform ePTZ functions.**
	Press and hold for 3s to save current camera view to preset 1 or 2. Single press to switch the camera view to either preset.**

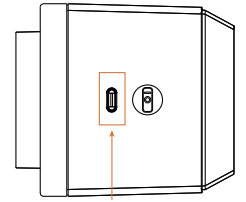
Button	Description
	Press to toggle between mute and unmute.
	Press to adjust the volume. Press and hold to adjust the volume continuously.
	Press to toggle between Auto Framing, Presenter/ Speaker Tracking or turn off advanced functions.
	Press to adjust the zoom. Press and hold to adjust the zoom continuously.

*Function only available when connected to a mobile device via Bluetooth.

**Function only available when Tracking mode is turned off.

APO-DG1 Pairing

The Apollo VX20 is compatible with the optional APO-DG1 wireless casting dongle. To pair an APO-DG1 with the VX20, insert the USB-C connector of the dongle into the USB-C port on the right side of the video bar. A message will appear on the display connected to the VX20 saying "Pairing Dongle". Wait for the pairing process to complete before disconnecting the APO-DG1. Up to two dongles can be paired with a VX20.



Extending the Microphone Pickup Range

The APO-COM-MIC USB add-on microphone can be used to extend the microphone pickup range of the Apollo VX20 and can be cascaded to a maximum of 3 times. Connect the APO-COM-MIC to the USB port labeled "MIC" on the rear of the VX20.

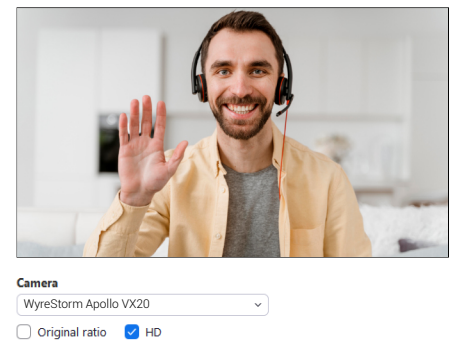
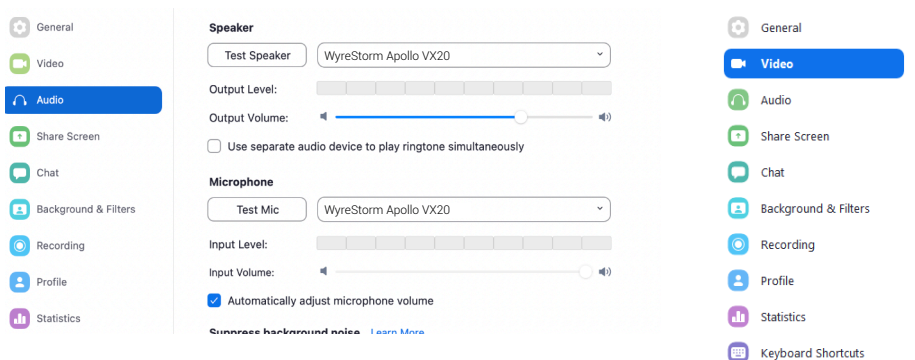
If longer distance is required between the VX20 and the APO-COM-MIC than the provided 7m USB cable, an optional USB to Ethernet extender (APO-MIC-EXT) can be used for up to 60m extension.



Software Device Setup

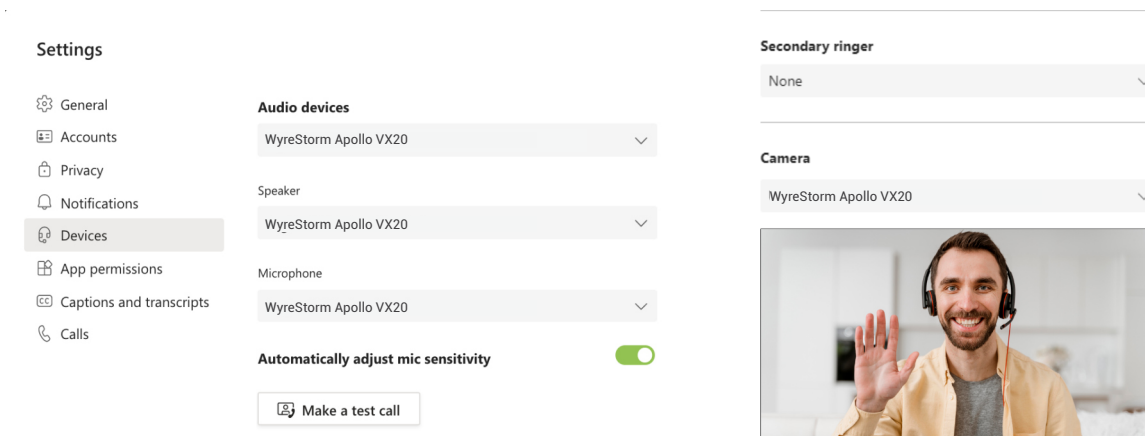
Connecting To Zoom

To connect the WyreStorm Apollo VX20 to your Zoom software, first navigate to your settings pane which can be found by clicking the gear icon in the top right hand corner, then click on the Audio or Video tab. Here you can change the device by using the dropdown menus. Select WyreStorm Apollo VX20 under the applicable options.



Connecting To Microsoft Teams

To connect the WyreStorm Apollo VX20 to your Microsoft Teams software, first navigate to your settings pane which can be found by clicking on your display image in the top right hand corner, then click on the devices tab. Here you can change the device by using the dropdown menus. Select WyreStorm Apollo VX20 under the applicable options.



Accessing the Web UI

By default the IP address is set to DHCP and will pull the IP address from a connected DHCP server.

1. Connect the Apollo VX20 to the same network as a DHCP server.
2. To find the IP address of the Apollo VX20, press and hold the Home button on the remote control and it will appear on the connected display. Alternatively, you can use a 3rd party network scanner to scan the network to find the IP address of the Apollo VX20.
3. Open a web browser and enter the IP Address of the Apollo VX20.
4. Default Username & Password are both admin

Troubleshooting

No or Poor Quality Picture (snow or noisy image)

- Verify that WyreStorm Apollo VX20 has been selected in your software's device settings
- Verify that the device is not in standby
- Verify that power is being supplied to the device
- Verify that all connections are not loose and are functioning properly
- Try using a different USB port on your computer

No Audio Input or Output

- Verify that WyreStorm Apollo VX20 has been selected in your software's audio input/output settings
- Verify that the volume and microphone settings in your software are not muted
- Verify that the volume on your PC/Mac is not muted
- Verify that the microphone settings on your PC/Mac are not muted



This equipment has been tested and found to comply with the limits for a Class B digital device, pursuant to part 15 of the FCC Rules. These limits are designed to provide reasonable protection against harmful interference in a residential installation. This equipment generates, uses and can radiate radio frequency energy and, if not installed and used in accordance with the instructions, may cause harmful interference to radio communications. However, there is no guarantee that interference will not occur in a particular installation. If this equipment does cause harmful interference to radio or television reception, which can be determined by turning the equipment off and on, the user is encouraged to try to correct the interference by one or more of the following measures:

- Reorient or relocate the receiving antenna.
- Increase the separation between the equipment and receiver.
- Connect the equipment into an outlet on a circuit different from that to which the receiver is connected.
- Consult the dealer or an experienced radio/TV technician for help.

Changes or modifications not expressly approved by the party responsible for compliance could void the user's authority to operate the equipment.

The distance between user and products should be no less than 20cm.



We declare that this device is in compliance with the essential requirements and other relevant provisions of Directive 2014/53/EU.

Manufacturer: Shen Zhen Proitav Technology Co.,Ltd
Address: 301-401, Building 16, Hejing Industrial Park, No.87, Hexiu west Road, Zhancheng Community, Fuhai street, Baoan District, Shenzhen, China

Operating temperature: 0°C to +40°C

We declare that this device is in compliance with the essential requirements and other relevant provisions of Directive 2014/53/EU.

The adapter shall be installed near the equipment and shall be easily accessible.

Operation Frequency: 2412MHz~2462MHz for WIFI 2.4G;
5180MHz~5240MHz for WIFI 5G; 5745MHz~5805MHz for WIFI 5.8G

Maximum Power: FCC:WIFI 2.4G 23.07dbm. WIFI 5G 16.91dbm. WIFI 5.8G 14.65dbm
RED:WIFI 2.4G 17.02dbm(E.I.R.P). WIFI 5G 16.64dbm(E.I.R.P). WIFI 5.8G 13.69dbm(E.I.R.P)

Accessory: Bluetooth Remote
Accessory Manufacturer: JIANGSU ASTARTE ELECTRONICS CO.,LTD
Address of Manufacturer: FuYong Town, Baoan District, Shenzhen, and love the new Homestead Industrial Park

Accessory: AC Power Cord (EU/UK/US/AU)
Accessory Manufacturer: Dongguan Hope Electronic Co.,Ltd
Address of Manufacturer: Dongshadun, Xiansha industrial Avenue, Xiansha Village, Gaobu Town, Dongguan City, Guang Dong Province, China

Accessory: Power Supply
Accessory Manufacturer: Dongguan NB Power Electronic Limited
Address of Manufacturer: No.365, South Dongkeng Road, Dongkeng Town, Dongguan City, 523443, P. R. China

Accessory: 5m USB-B 3.0 Host Cable/5m HDMI Cable
Accessory Manufacturer: Shenzhen Taizi Electronics Co., LTD
Address of Manufacturer: Room 97, 2/F, Movie Building, No. 2, Guiyuan Road, Guimuyuan Community, Guiyuan Street, Luohu District, Shenzhen

Warranty Information

WyreStorm Technologies ProAV Corporation warrants that its products to be free from defects in material and workmanship under normal use for a period of five (5) years from the date of purchase. Refer to the Product Warranty page on wyrestorm.com for more details on our limited product warranty.



WyreStorm[®]
APOLLO