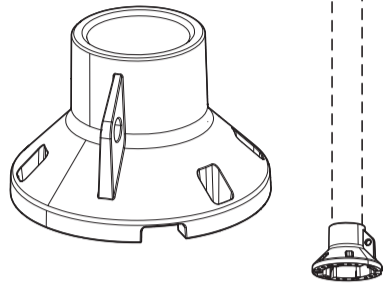


## Operating Instructions

Included Installation Instructions

### Ceiling Mount Bracket

Model No. **WV-QCL100-W**  
**WV-QCL101-W**



(Pipe is locally procured)

- Before attempting to connect or install this product, please read these instructions carefully and save this manual for future use.
- The external appearance and other parts shown in this manual may differ from the actual product within the scope that will not interfere with normal use due to improvement of the product.

i-PRO Co., Ltd. assumes no responsibility for injuries or property damage resulting from failures arising out of improper installation, operation inconsistent with this documentation or through use of parts other than this product, such as locally procured parts.

For U.S. and Canada:

i-PRO Americas Inc.

For Europe and other countries:

i-PRO EMEA B.V.

<https://www.i-pro.com/>

© i-PRO Co., Ltd. 2022

\* PGQX2357WA \*



Fs0320-3042  
Printed in China

### Preface

This product is used to attach indoor dome type or PTZ type cameras to a high ceiling using a locally procured pipe.  
For the latest information about the supported cameras, refer to our support website ([https://i-pro.com/global/en/surveillance/training\\_support/support/technical\\_information](https://i-pro.com/global/en/surveillance/training_support/support/technical_information) <Control No.:C0501>).

### Specifications

Ambient operating temperature:	-50 °C to +60 °C {-58 °F to +140 °F}
Maximum superimposed load:	88 N {19.8 lbf}
Dimensions:	ø113 mm × 75 mm (H) {ø4-7/16 inches × 2-15/16 inches (H)}
Mass:	Approx. 330 g {0.73 lbs}
Finish:	Aluminum die cast WV-QCL100-W : i-PRO white ISO standard threading WV-QCL101-W : ANSI standard threading

### Precaution

- **Do not use this bracket except with suitable cameras.**  
Failure to observe this may cause a drop resulting in injury or accidents.
- **Do not apply excessive force.**  
Failure to observe this may cause damage to the attaching part or a drop resulting in injury or accidents.
- **Do not attach a device exceeding the mass limit.**  
Failure to observe this may cause a drop resulting in injury or accidents. Observe the mass limit.
- **Refer installation work to the dealer.**  
Installation work requires technique and experience. Failure to observe this may cause fire, electric shock, injury, or damage to the product. Be sure to consult the dealer.
- **Install the product securely on a ceiling in accordance with the installation instructions.**  
Failure to observe this may cause injury or accidents.
- **The measures of protection against a fall of this product shall be taken.**  
Failure to observe this may cause a drop resulting in injury or accidents. Be sure to install the safety wire.

When using this product, also read the "Precautions" described in the operating instructions for the camera to be attached.

- Caution:**
- Before attempting to connect or operate this product, please read these instructions carefully.
- Notice:**
- This product is not suitable for use in locations where children are likely to be present.
  - Do not install this product in locations where ordinary persons can easily reach.
  - For information about screws and brackets required for installation, refer to the corresponding section of this document.

### Standard accessories

Operating Instructions (this document) ... 1 pc. Fixing screws for attachment plate .....5 pcs. (M4 x 8 mm {5/16 inches}) (of them, 1 for spare)

### Other items that are needed (not included)

Fixing screws (M4) ..... 4 pcs. Safety wire ..... 1 pc.  
Pipe ..... 1 pc.

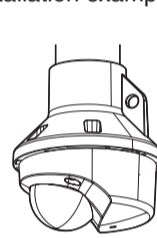
#### IMPORTANT

- Minimum pullout strength: 196 N {44 lbf} (per 1 pc.)
- This value indicates the minimum pull-out strength required value per screw. For information about the minimum pull-out strength, refer to our support website <Control No.: C0120>.
- Select screws according to the material of the location that the camera will be mounted to. In this case, wood screws and nails should not be used.
- For the safety wire specifications, refer to **Step 1 [2]**.

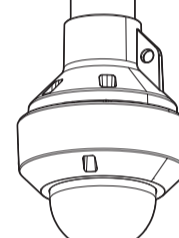
### Precautions for installation

- In order to prevent injury, the product must be securely mounted to the ceiling according to the Installation Guide of this bracket.
- **Mounting method for this product**  
This product is designed to be used as a pendant mount camera. If the product is mounted on a desktop or at a slant, the camera may not work correctly and its lifetime may be shortened.
- **Make sure to remove this product if it will no longer be used.**

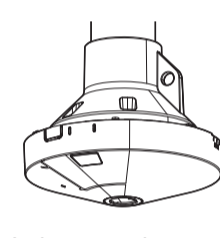
<Installation example>



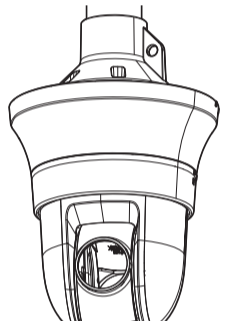
Compact dome type  
WV-S31xx series



Indoor dome type  
WV-S21xx series



Indoor 360-degree  
panoramic type  
WV-S41xx series



Indoor PTZ type  
WV-S61xx series

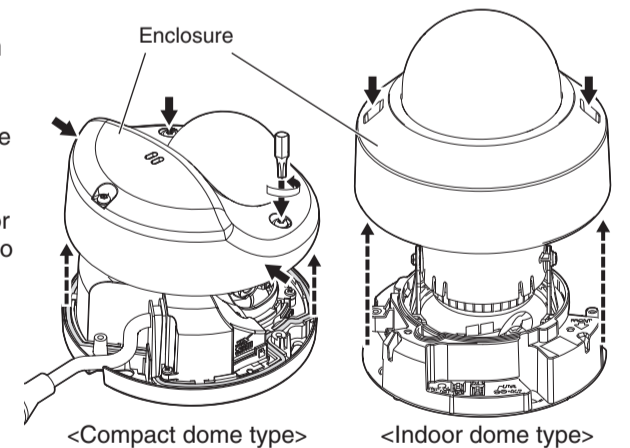
### Installation

Be sure to read "Precautions" and "Precautions for installation" before installation.  
**Refer to the operating instructions of the camera for details on the camera installation (including the camera mounting, cable connection and adjustment).**

- Step 1** This manual explains how to use this product in 2 places (one on the ceiling and the other on the camera).  
For information about other examples of use, refer to our support website ([https://i-pro.com/global/en/surveillance/training\\_support/support/technical\\_information](https://i-pro.com/global/en/surveillance/training_support/support/technical_information) <Control No.:C0508>).

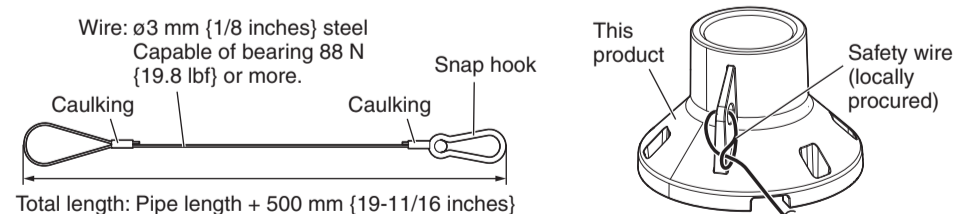
#### [1] Remove the enclosure from the camera body.

For compact dome types and indoor dome types of cameras, the enclosure is removed before installation. Refer to the parts describing installation in the Installation Guide for each camera for information on how to remove the enclosure.



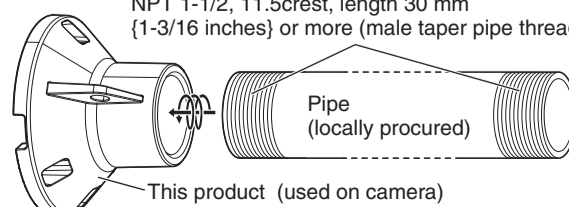
#### [2] Attach the safety wire to this product (used on ceiling).

- ① Prepare the safety wire by the specifications ② Attach the safety wire to this product (used on ceiling) as shown in the below illustration.



#### [3] Attach the pipe (locally procured) to this product (used on camera).

<WV-QCL100-W>  
40A R 1-1/2, 11crest, length 30 mm  
{1-3/16 inches} or more (male taper pipe thread)  
<WV-QCL101-W>  
NPT 1-1/2, 11.5crest, length 30 mm  
{1-3/16 inches} or more (male taper pipe thread)



Recommended pipe:  
ø48.6 mm {1-29/32 inches}  
t = 3.5 mm {1/8 inches}  
Material: Stainless Steel  
Maximum permissible length:  
1.5 m {59-1/16 inches}

### Step 1 (Continued)

[4] Check the position for fixing this product (in 2 places) and pipe, and the position for fixing the camera to this product, before mounting.

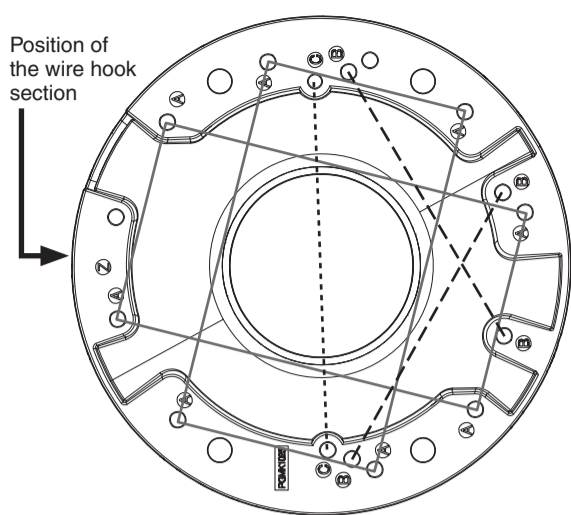
□ When attaching using the attachment plate (holes of (A)): Each series of S61xx, S22xx, S21xx, S41xx

→ Step 2

--- When attaching the camera directly to this product (holes of (B)) S31xx series

→ Step 8

----- When attaching the camera directly to this product (holes of (C)) using holes of fixing pitch 83.5 mm {3-9/32 inches}



#### NOTE

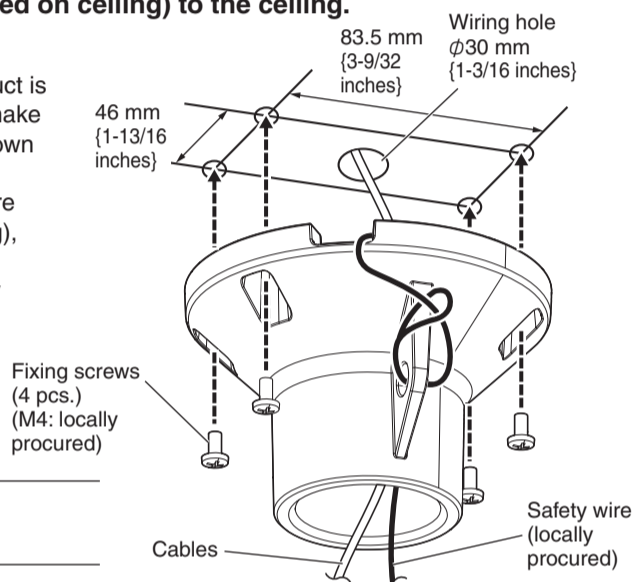
- The position for fixing this product will change depending on the pipe (locally procured) tapping variation. Be sure to attach this product to the pipe, and confirm the transition in the rotation direction of this product on the ceiling and camera before deciding the attachment position.
- For S31xx Series, the shooting direction of the camera is restricted. (Refer to Step 8) Be sure to attach the camera to this product (used on camera), and the pipe to this product (used on ceiling) and check the post-attached camera direction before using it.

### Step 2 Fix this product (used on ceiling) to the ceiling.

- Decide the location where this product is to be attached on the ceiling, then make the holes for fixing and wiring as shown in the illustration on the right.
- Thread the cables and the safety wire through this product (used on ceiling), then fix to the ceiling.

**Fixing screws (4 pcs.) (M4: locally procured)**

**Minimum pullout strength: 196 N {44 lbf} (per 1 pc.)**



#### NOTE

- Install to a horizontal ceiling.

■ The following explanation describes an example of attaching an indoor dome type WV-S2131L model.

For how to install the camera, refer to the instructions for installation in the Operating Instructions for each model.

### Step 3 Attach the pipe fitted to this product (used on camera) in Step 1, to this product (used on ceiling) fitted to the ceiling in Step 2.

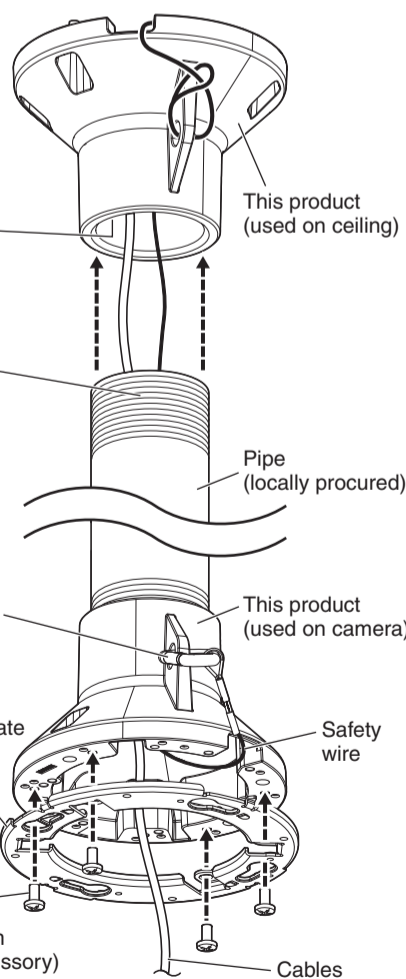
- Tighten the screw section of the pipe for fixing the pipe securely to this product (used on ceiling). Failure to observe this may cause a drop resulting in accidents.

<WV-QCL100-W>  
40A Rp 1-1/2, 11crest, depth 30 mm {1-3/16 inches} MAX (female parallel pipe thread)

<WV-QCL101-W>  
NPS 1-1/2, 11.5crest, depth 30 mm {1-3/16 inches} MAX (female parallel pipe thread)

<WV-QCL100-W>  
40A R 1-1/2, 11crest, length 30 mm {1-3/16 inches} or more (male taper pipe thread)

<WV-QCL101-W>  
NPT 1-1/2, 11.5crest, length 30 mm {1-3/16 inches} or more (male taper pipe thread)



### Step 4 Attach the attachment plate to this product (used on camera).

- Fix the snap hook of the safety wire to the wire hook section on this product (used on camera).

- Fix the attachment plate (camera accessory) to this product (used on camera).

**Recommended tightening torque : 0.78 N·m {0.58 lbf·ft}**

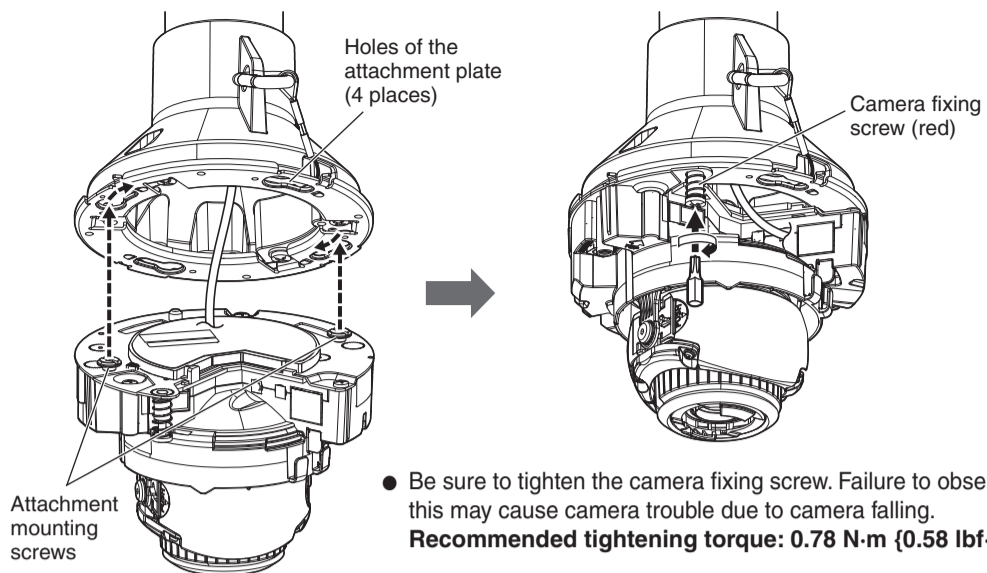


### Step 5 Connect the cables to the camera.

For how to connect and other details, refer to the Operating Instructions for each camera.

■ The "recommended tightening torque" values shown hereon for the different screws used in mounting the camera are the values of the model used for the description in this manual. Check the Operating Instructions of the camera you are using and confirm the values.

### Step 6 Temporarily fix the camera to the attachment plate and tighten the camera fixing screw (red) to fix the camera firmly.

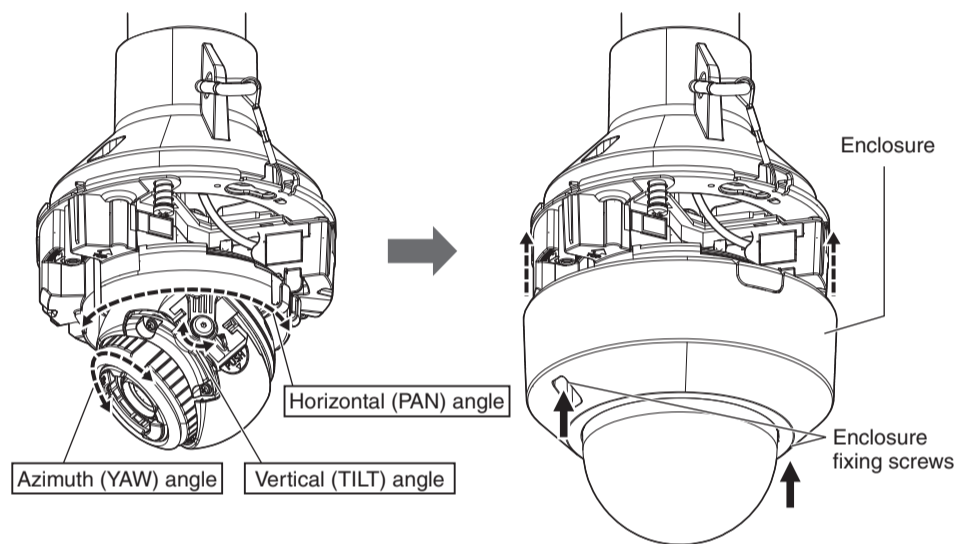


- Be sure to tighten the camera fixing screw. Failure to observe this may cause camera trouble due to camera falling. **Recommended tightening torque: 0.78 N·m {0.58 lbf·ft}**

#### NOTE

- You can change the angle of mounting the camera to the attachment plate in units of 90 degrees, as necessary.

### Step 7 After adjusting the angular field of view of the camera, fix the enclosure to the original position. Refer to the Installation Guide for the camera for detailed adjustment methods.



**Recommended tightening torque : 0.59 N·m {0.44 lbf·ft}**

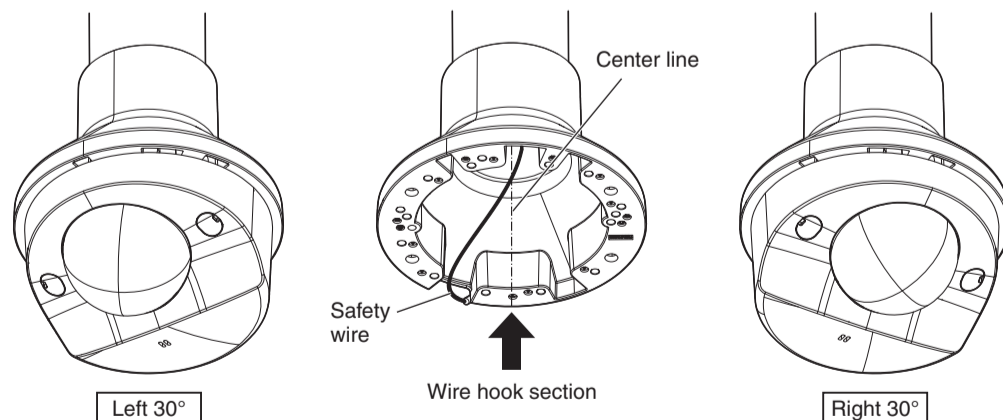
#### NOTE

- The recommended tightening torque for the screws depends on the camera you are using. Refer to the Installation Guide for each camera.

### Step 8 Attaching the compact dome type WV-S31xx series

- Install according to the description in Steps 2 and 3.
- Fix the snap hook of the safety wire to the wire hook section of this product (used on camera) according to the description in Step 4 ①. (There is no attachment plate fitting work.)
- Connect the network cable and fix the camera to this product (used on camera). Attach the camera in such a way that the opposite side of the wire hook section of this product (used on camera) is towards the front of the camera. You can fix the camera pointing the front of the camera tilted at 30 degrees to the left or right.

**Recommended tightening torque : 0.78 N·m {0.58 lbf·ft}**



#### IMPORTANT

- When fixing a compact dome type camera, it can be fixed in only the 2 directions illustrated above. If the photographing area cannot be adjusted with these 2 directions and PAN rotation, invert the mounting direction of this product (used for the ceiling) by 180 degrees.

#### NOTE

- When fixing a compact dome-type camera, of the three fixing positions, use the 2 forward places to fix.