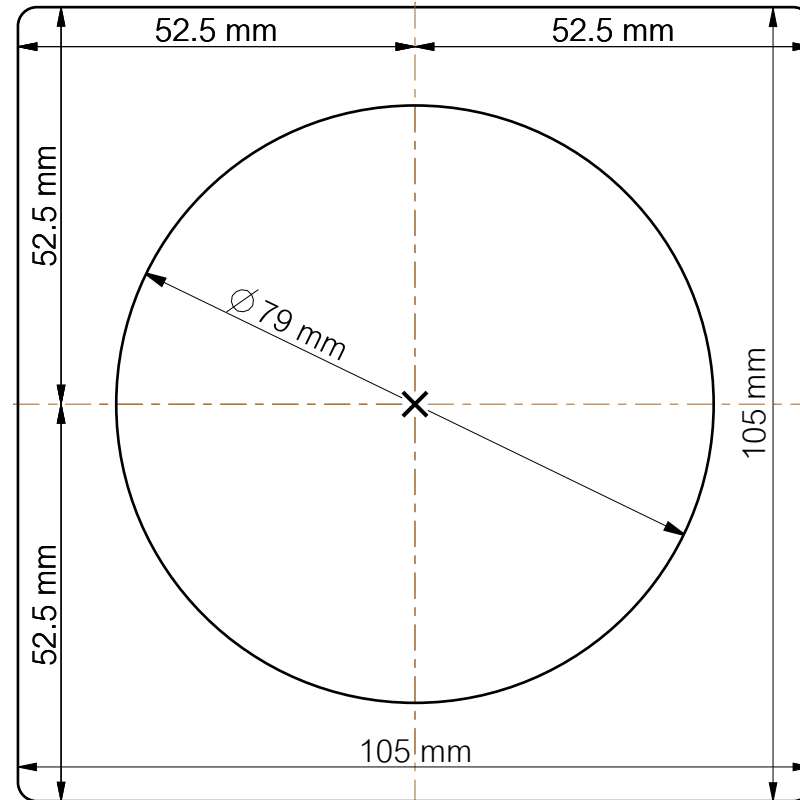
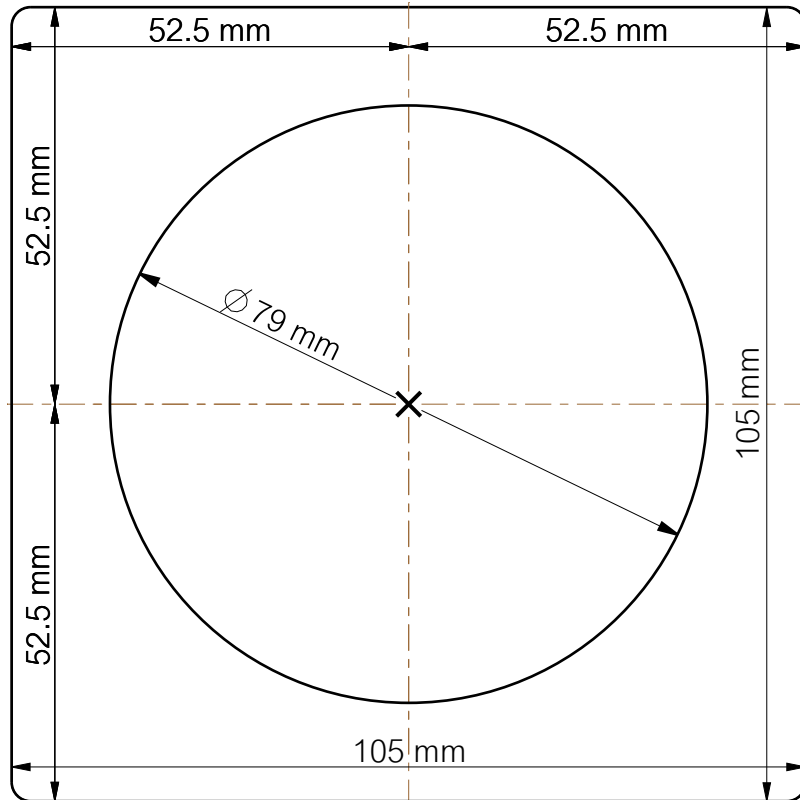
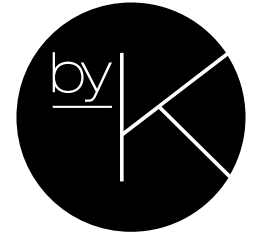


Powerdot Single Metal Frame - DRILLING TEMPLATE

935-PF01W, 935-PF01, 935-PF01B



NOTE! 1:1 scale. To use as a drilling template, print on A4 paper.