

User manual

9353003209/9353003201

Axessline Micro

1 USB-C & 1 USB-A charger 12W

Powerdot MICRO with 1 USB Type A charging connector and 1 USB Type C charging connector



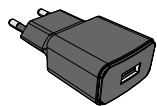
x1

Powerdot MICRO fastening nut



x1

USB Type A Power adapter 9V-12-V, 1.5A



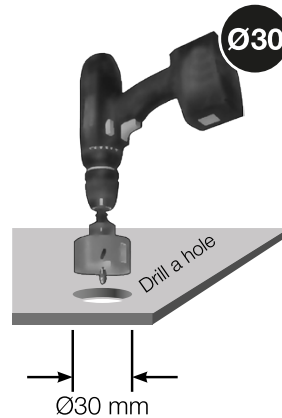
x1

USB Type A to USB Type C cable, 1450 mm

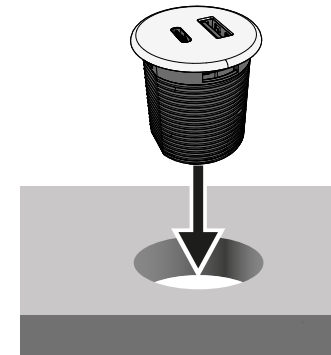


x1

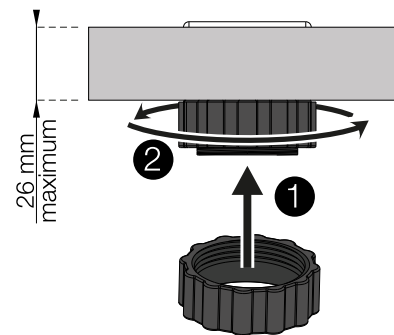
- 1** DRILL
Drill a hole in the table/furniture.



- 2** INSERT
Insert the Powerdot MICRO into the hole, then feed the power cable through the plastic fastening nut.



- 3** USE FASTENING NUT
Turn the fastening nut as far up the thread as possible by turning clockwise until the product is fully rigid against the table/furniture.



- 6** CONNECT AND PLUG IN
Connect USB Micro cable to the grommet and to adapter. Lastly, plug it to a wall socket or powerstrip of your choice.

