

NDA-5070-PLEN In-ceiling plenum kit, 148mm



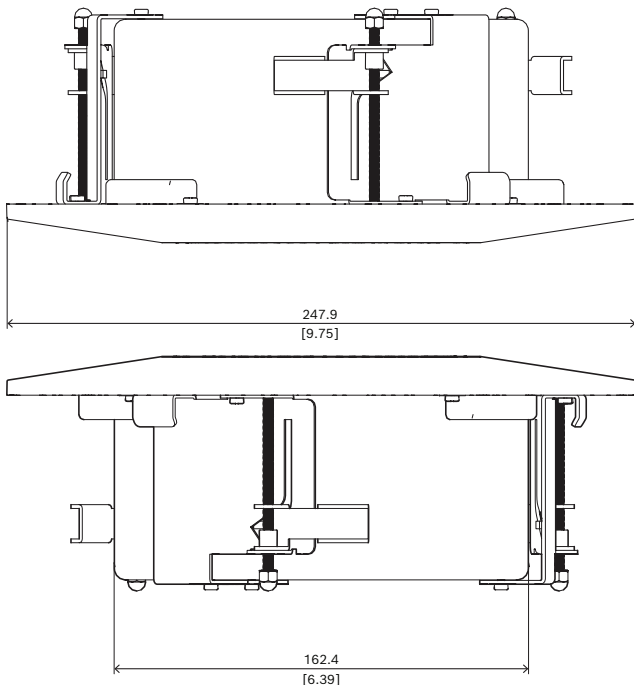
- ▶ Applicable for FLEXIDOME indoor 5100i, FLEXIDOME indoor 5100 IR, FLEXIDOME outdoor 5100i, and FLEXIDOME outdoor 5100i IR

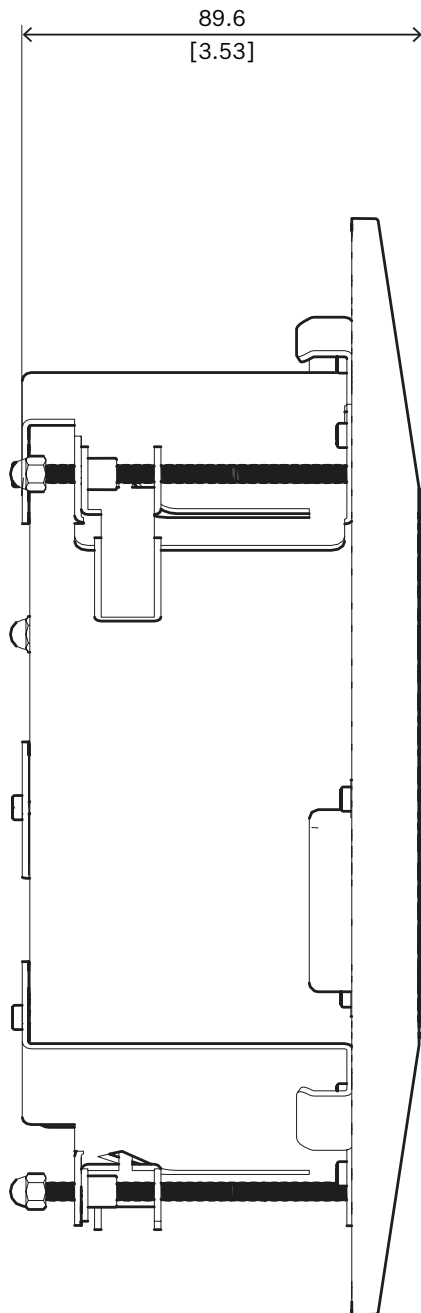
The plenum-rated in-ceiling mount kit is applicable for FLEXIDOME indoor 5100i, FLEXIDOME indoor 5100 IR, FLEXIDOME outdoor 5100i, and FLEXIDOME outdoor 5100i IR.

Regulatory information

Standard	UL2043
----------	--------

Installation/configuration notes





Dimensions in mm (inch)

Parts included

Quantity	Component
1	Plenum-rated in-ceiling mount kit
15	Phillips M3x5L screw

Quantity	Component
3	Phillips M4x75L screw
4	Phillips M4x8L screw
3	Nut M4 acron
1	Quick installation guide

Technical specifications

Mechanical

Dimension (Ø x H) (mm)	247.9 mm x 89.6 mm
Dimension (Ø x H) (in)	9.76 in x 3.53 in
Weight (g)	1330 g
Weight (lb)	2.93 lb
Color in RAL	RAL 9003 Signal white
Material	Steel plate cold-rolled commercial grade

Ordering information

NDA-5070-PLEN In-ceiling plenum kit, 148mm

Plenum-rated in-ceiling mount kit for FLEXIDOME indoor 5100i, FLEXIDOME indoor 5100i IR, FLEXIDOME outdoor 5100i, and FLEXIDOME outdoor 5100i IR
Order number **NDA-5070-PLEN | F.01U.399.151**

Represented by:

Europe, Middle East, Africa:
Bosch Security Systems B.V.
P.O. Box 80002
5600 JB Eindhoven, The Netherlands
Phone: +31 40 2577 284
www.boschsecurity.com/xc/en/contact/
www.boschsecurity.com

Germany:
Bosch Sicherheitssysteme GmbH
Robert-Bosch-Ring 5
85630 Grasbrunn
Tel.: +49 (0)89 6290 0
Fax: +49 (0)89 6290 1020
de.securitysystems@bosch.com
www.boschsecurity.com

North America:
Bosch Security Systems, LLC
130 Perinton Parkway
Fairport, New York, 14450, USA
Phone: +1 800 289 0096
Fax: +1 585 223 9180
onlinehelp@us.bosch.com
www.boschsecurity.com

Asia-Pacific:
Robert Bosch (SEA) Pte Ltd, Security Systems
11 Bishan Street 21
Singapore 573943
Phone: +65 6571 2808
Fax: +65 6571 2699
www.boschsecurity.com/xc/en/contact/
www.boschsecurity.com