



INSTRUCTION BOOK FOR
Dry Erase Screen
Panoramic

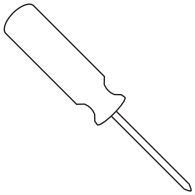
PROJECTA

Preparation

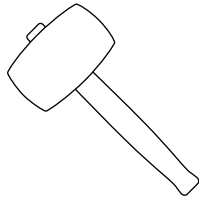
Note: It requires at least four people to assemble a Dry Erase Screen Panoramic. To maintain optimal projected image geometry and screen alignment, a flat and straight wall free from obstructions and angular distortions should be used.

Choose a clean work area for assembly using padded material or other soft, clean materials. The work area should be larger than the overall screen size and directly in front of the location where the screen is to be installed.

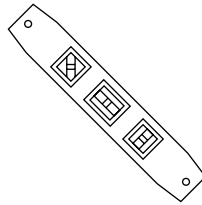
Tools Required For Assembly



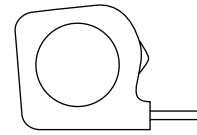
Phillips Screwdriver



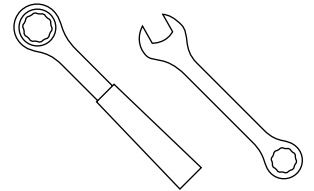
Rubber Mallet



Level

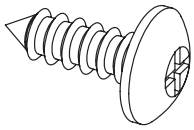


Measuring Tape



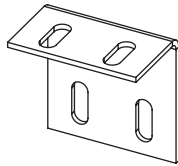
Open Wrench
or Socket Driver

Hardware Provided

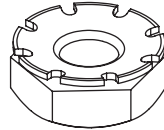


Screws

Number of supplied screws
varies by screen size



(6) L-Brackets



(8) Nuts



112 cm wall Bracket

(2 or 4) Number of supplied brackets varies by screen size



71 cm wall Bracket

(2 or 4) Number of supplied brackets varies by screen size



46 cm wall Bracket

(0 or 2) Number of supplied brackets varies by screen size



(2) Seam Brace

Assembly Instructions for Panoramic

1. Carefully unpack unit and place all panels on top of the clean work area. The viewing surface of each panel must face down.

NOTE: For optimal seam alignment, use labels on the back side of each panel to arrange for assembly.

2. Slide all three panels together, aligning the both the top and bottom frames (Figure 1).
3. Find (1) seam brace and remove the release liner from both strips of adhesive tape.
4. Ensuring that the panels are still in alignment, line up the seam brace with one of the panel seams with adhesive side facing down. Do not press adhesive into panels yet. Maintain at least a small gap between the adhesive and the panel.

5. Use open wrench or socket driver and (4) nuts to attach seam brace onto the studs on the top and bottom of screen frame at the panel seam. Tighten all four nuts once attached to the frame (Figure 2).

NOTE: Be sure to maintain frame and panel to panel alignment during this step.

6. Press adhesive into panels. Apply steady pressure along the length of the seam brace to attach firmly.
7. Repeat Steps 3-6 to attach the other seam brace.

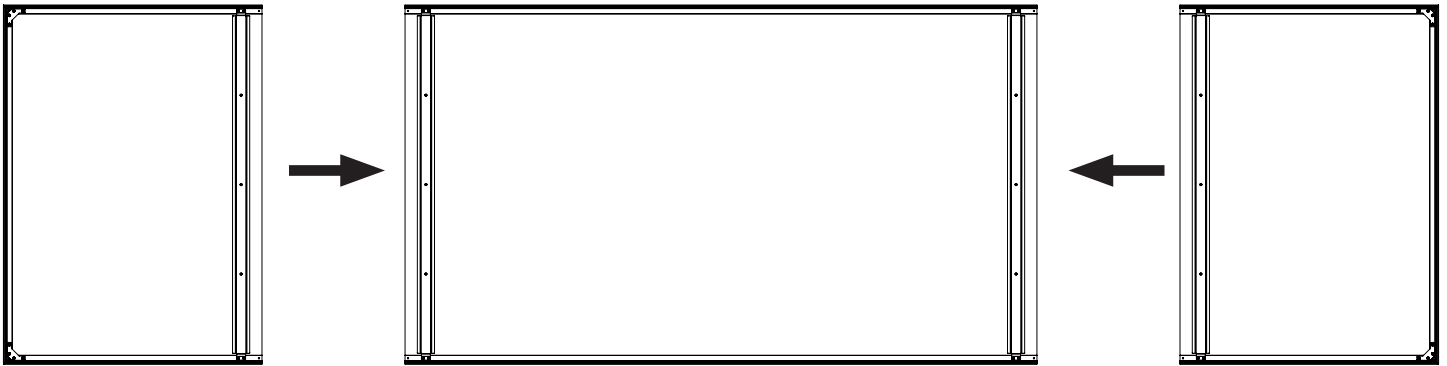


Figure 1

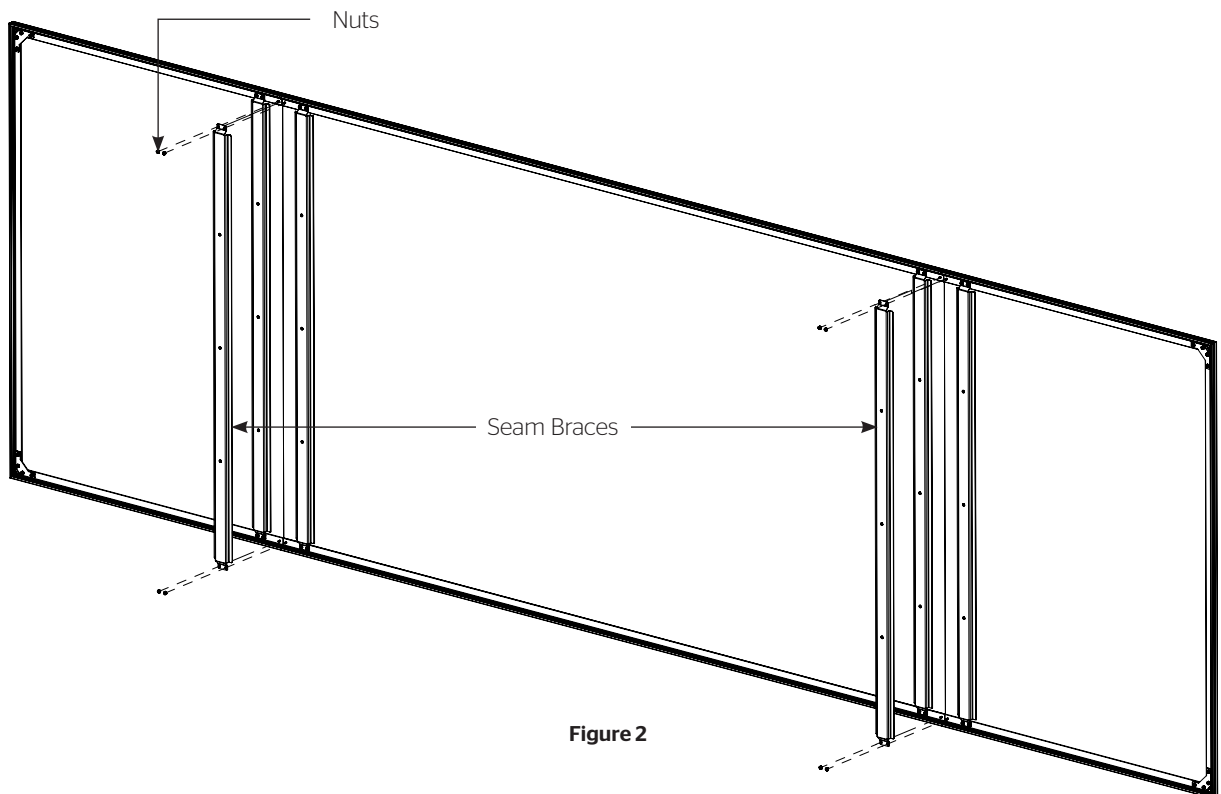


Figure 2

Wall Mounting Instructions for Panoramics

NOTE: The screen is shipped with four wall brackets and lengths shipped vary by screen size. Two brackets will be used on the center panel and one bracket on each of the side panels. Measure gap on each side panel to determine which two brackets will be used with these panels. These brackets will be of an equal length. The remaining two brackets (also of an equal length) will be used to hold the weight of the center panel. Use appropriate mounting hardware for the wall type and to accommodate for the screen's total hanging weight.

1. Secure the two center panel wall brackets to wall studs at the desired height. The outside edge of each wall bracket must be no greater than 12,7 cm away from the left or right panel seams. You will need at least 2,5 cm clearance above the drilled holes to hang the screen.

2. Secure the two side panel wall brackets to wall studs at the height selected in Step 1. Each side panel wall bracket should be centered between the seam brace and left or right outside edge of the frame when mounted to the wall (Figure 3).

NOTE: At this point, all four brackets will be mounted on the wall. Do not proceed if all four brackets are not level with each other on the wall.

3. To install the (2) center panel L-brackets, you must measure the overall height of the screen frame and subtract 2,9 cm. Using that dimension, measure down from the top edge of each of the center wall brackets and mark the wall for two screw holes. The outside edge of each center panel L-bracket must be no greater than 12,7 cm away from the left or right panel seams (Figure 3).

4. Secure the two center panel L-brackets to the wall at the marked locations. The longest side of the two center panel L-brackets should be pointing upwards when secured in order to hide the L-brackets behind the screen frame once the screen is installed (Figure 3).

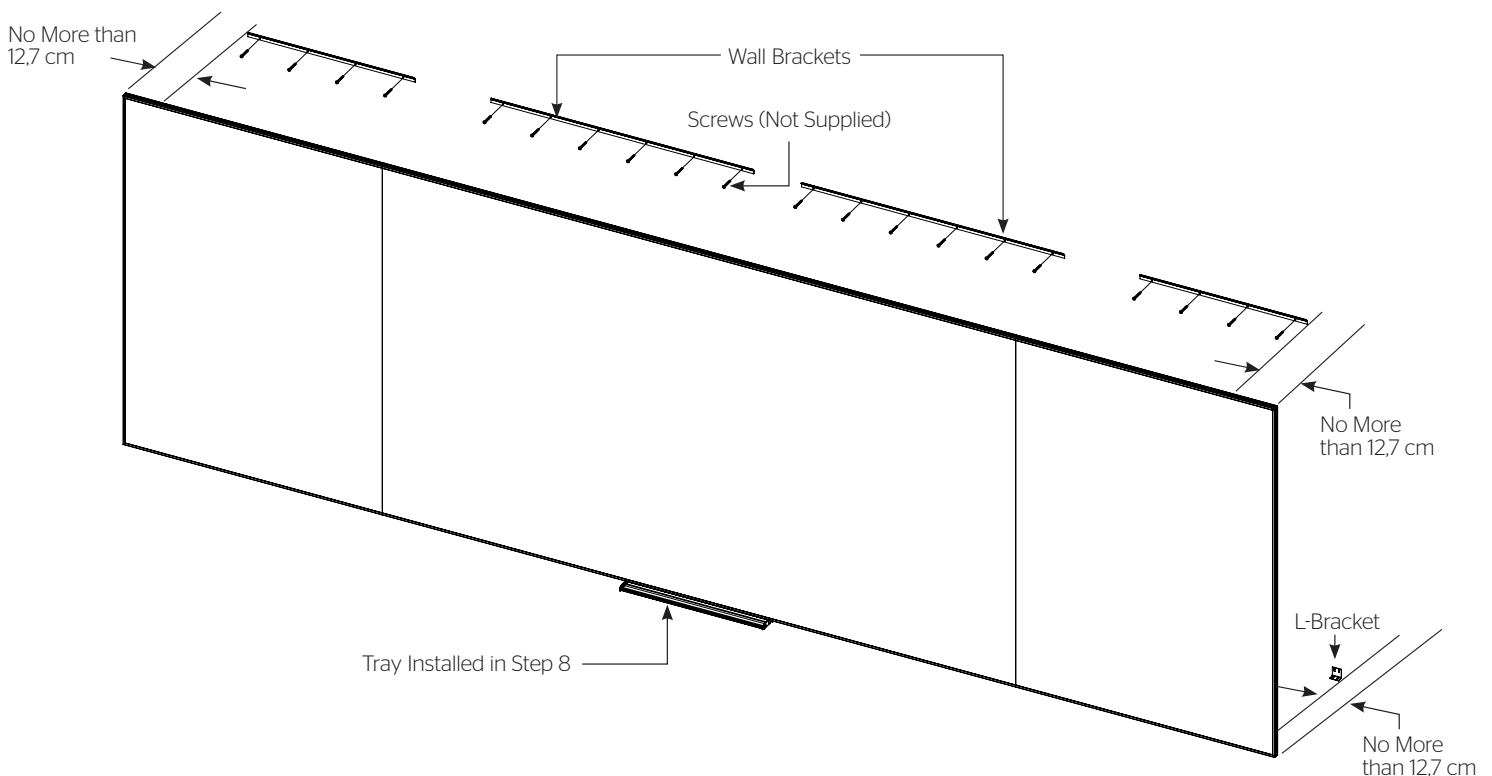


Figure 3

Wall Mounting Instructions (continued)

- Repeat Steps 3-4 to install the (4) remaining L-brackets for the side panels.

NOTE: At this point, all six L-brackets will be mounted on the wall; two L-brackets for each panel. Do not proceed if all six-L brackets are not level with each other on the wall.

Steps 6-7 require at least four people. Place one person on the far left end of the screen, one person at the left panel seam, one person at the right panel seam and one person on the far right end of the screen. More people can be utilized as needed. When lifting the screen off of the clean work area to the wall and then onto the wall, it is crucial that the screen remain coplanar. Any bend between the three panels at the seams may damage the screen.

- Using all four people, carefully lift the fully assembled three panel screen to an upright position and place underneath the mounted wall and L-brackets. The screen will be parallel to the wall at the end of this step.

- Using all four people, carefully and in a smooth motion lift the screen to hang it on the four installed wall brackets. There is a lip on the back of the frame that wedges itself into the four wall brackets once full installed. Ensure that the screen clears the six L-brackets and that the screen weight is on the four wall brackets, not the six L-brackets.
- Center the aluminum tray to the bottom of the center panel frame and attach with (3) of the provided screws. Insert screws through the tray into the groove (Figure 4).
- Tap the bottom of the six L-brackets with the rubber mallet until they make contact with the frame. Secure the six L-brackets to the frame with the remaining (12) screws (Figure 4).

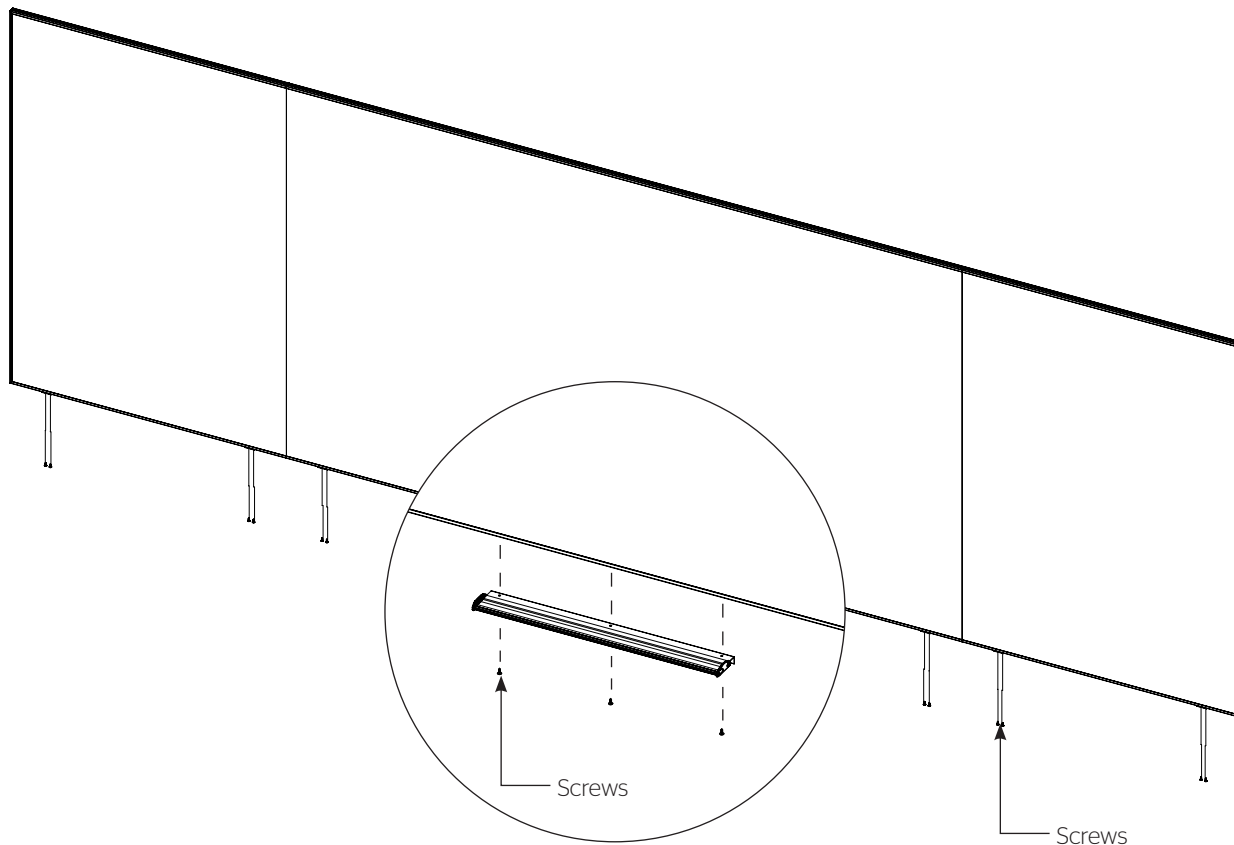


Figure 4

Cleaning

The supplied cleaning cloth can be used to clean marks on the screen surface made by everyday dry erase marker usage. Use clean or dry sections of the microfiber cloth when erasing the screen. This is important to prevent smearing on the screen while cleaning. To clean persistent marks from dry erase markers, use the supplied spray cleaner and cleaning cloth. Spray cleaner can be used to remove tough to clean or smeared areas. To clean permanent markers and other unintentional marks on the surface, use the supplied spray cleaner and cleaning cloth or a melamine foam cleaning pad.

PROJECTA

A Milestone AV Technologies Brand

Franklinstraat 14
6003 DK Weert
The Netherlands
P: +31 495 580 852
E: emea.dalite@milestone.com
www.da-lite.com

DL-0489 07.15

© 2015 Milestone AV Technologies LLC. Printed in U.S.A.

28408