

KRAMER



Installation Instructions

MODEL:

K-POD303

**Mounting Enclosure for Kramer Decora Size
Products and Inserts**



P/N:



2900-301497QS

Rev:



1



SAFETY WARNING

Disconnect the unit from the power supply before opening and servicing

For the latest information on our products and a list of Kramer distributors, visit our Web site where updates to these installation instructions may be found.

We welcome your questions, comments, and feedback.

www.kramerAV.com
info@kramerel.com

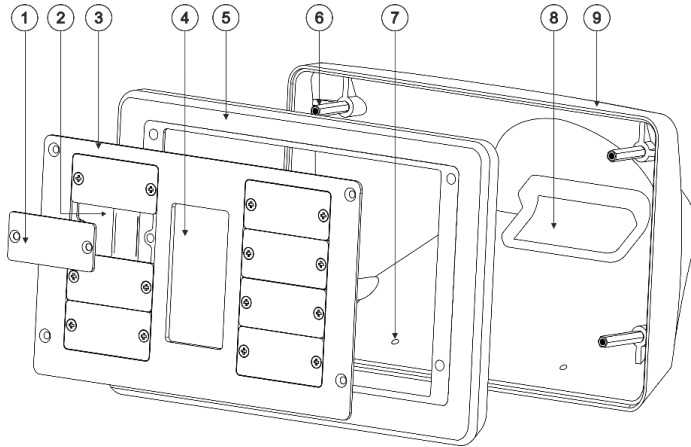
K-POD303 Mounting Enclosure for Kramer Decora Size Products and Inserts

Congratulations on purchasing your Kramer **K-POD303** a Mounting Enclosure for Kramer Decora Size Products and Inserts.

K-POD303 features a modular design that allows you to custom-configure the insert layout based on your specific needs. In addition, for an elegant look, **K-POD303** fits a variety of American Decora™ faceplates.

Note: **K-POD303** Decora Size Products, power socket, and power cord are purchased separately.

Step1: Get to know your K-POD303



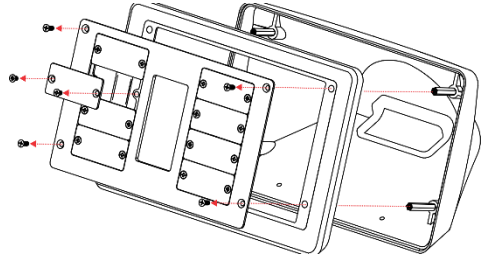
	Feature	Function
1	Blank Inserts (x8)	Place holder for modular inserts.
2	Insert Openings (x2)	For single or dual inserts.
3	Frame	A modular frame for Decora size products and an extensive choice of inserts such as: HDMI, LAN, Control, USB, and more.
4	Decora Opening	To install a Decora™ size faceplate. For example, RC-306 .
5	Front Panel	To mount the Frame on the Enclosure.
6	Attachment Screw Openings (x4)	To attach the Frame and Front Panel to the Enclosure.
7	Table Screw Openings (x2)	To install K-POD303 onto a table surface.
8	Cable Opening	To pass the cables either through the rear side of K-POD303 or under the table/podium (if the surface has a cut-out opening).
9	Enclosure	To install the Frame and Enclosure Frame to a table.

DECORA™ is a registered trademark of Leviton Manufacturing Co., Inc

Step 2: Disassemble K-POD303

Do these steps to disassemble K-POD303:

1. Remove the four attachment screws.
2. Remove the Frame and Enclosure Frame.
3. As necessary, remove the Blank Inserts from the Frame.

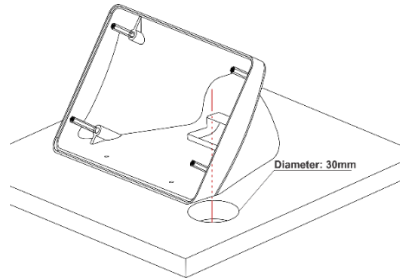


Step 3: Install K-POD303

If you plan to pass the cables below the table, it is necessary to drill a hole in the table before you install K-POD303 onto the table's surface. If you plan to pass the cables through another opening, skip the first part of this section.

To drill a hole in the table:

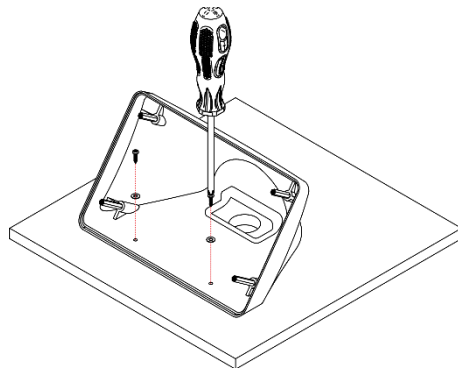
1. Place the K-POD303 on the surface and carefully mark the opening area so it fits the opening in the K-POD303.
2. Using any standard cup bit drill, with a diameter of 30mm (1.2"), drill a hole in the table in the marked location.



Take care not to damage the table. Kramer Electronics is not responsible for any damage caused to the table.

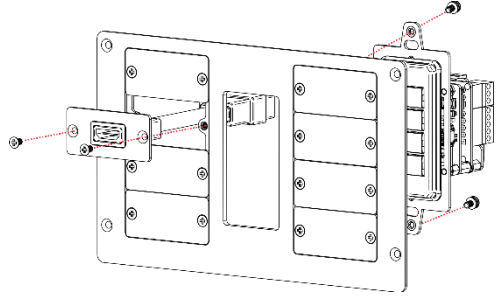
To attach K-POD303 to the table surface:

1. Place the K-POD303 on the table in the planned location (if you drilled a hole in the table for the wires to pass through, then fit the underside opening to that hole).
2. Pass the 2 4x1/2" screws (supplied) through the table screw openings and tighten them to the table's surface.



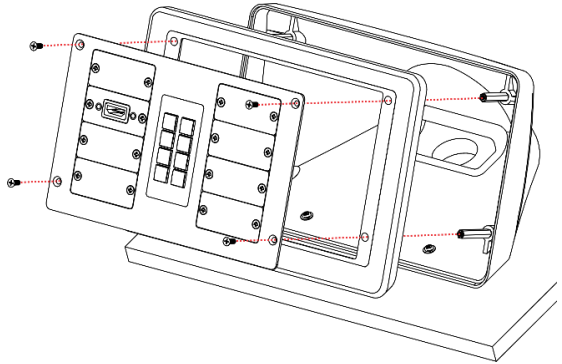
Step 4: Attach the Kramer Decora Product and Inserts to the Frame

1. Connect the Product to the rear of the Frame (use the screws provided by the Decora product manufacturer).
2. Remove the Blank Insert(s) and install the necessary insert(s).



Step 5: Attach the Frame and Front Panel to K-POD303

1. Pass the cables through the Enclosure's cable opening.
2. Align the Enclosure Frame holes with the Enclosure screw openings.
3. Position the Frame over the Front Panel and secure them together to the Enclosure Attachment Screw Openings with screws (supplied).



Specifications

Environmental Conditions	Operating Temperature	0° to +40°C (32° to 104°F)
	Storage Temperature	-40° to +70°C (-40° to 158°F)
	Humidity	10% to 90%, RHL non-condensing
Regulatory Compliance	Safety	CE
	Environmental	RoHs, WEEE
Enclosure	Type	Gray ABS enclosure; Black ABS front frame; Blank Insert
General	Net Dimensions (W, D, H)	22cm x 14.3cm x 13.3cm (8.66" x 5.62" x 5.23")
	Shipping Dimensions (W, D, H)	26.7cm x 19cm x 11cm (10.51" x 7.48" x 4.33")
	Net Weight	0.38kg (0.83lbs) approx.
	Shipping Weight	0.64kg (1.41lbs) approx.
Accessories	Included	Installation screws and washers
Specifications are subject to change without notice at www.kramerav.com		