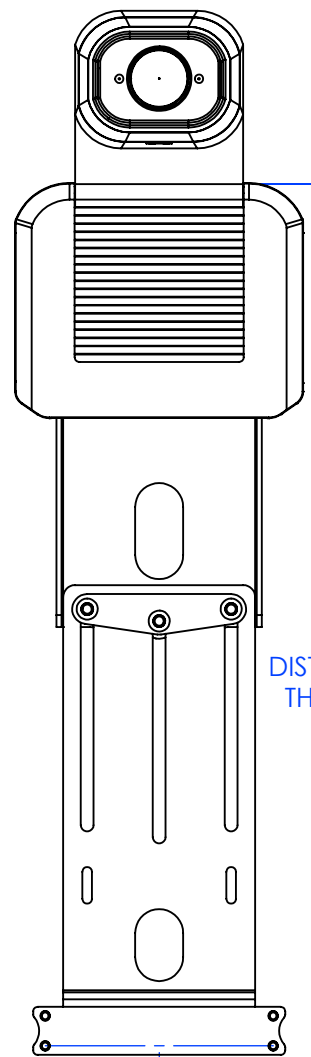
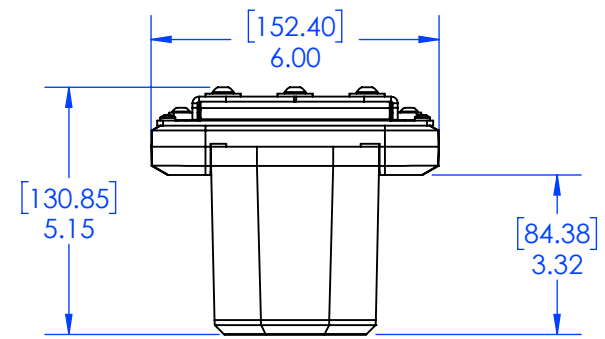


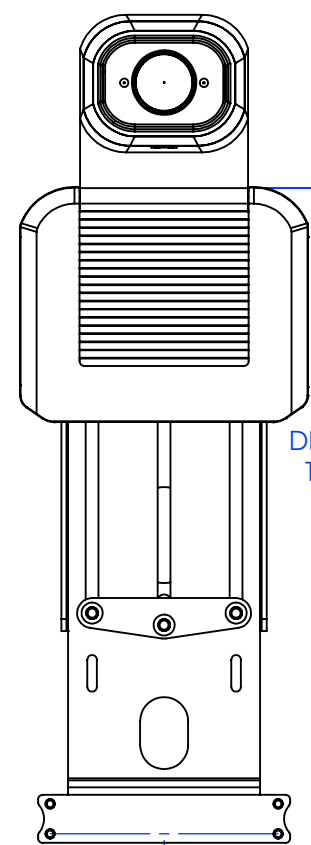
MOUNT CAN BE USED EITHER ABOVE OR BELOW THE SCREEN



HIGHEST EXTENSION

[592.6]
23.33
DISTANCE TO C/L OF THE TS3XXX SERIES SWINGARMS

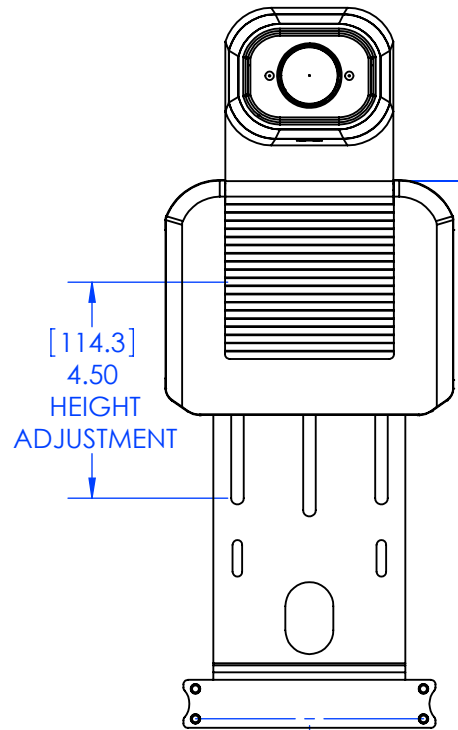
[600.5]
23.64
DISTANCE TO C/L OF TS5XXX SERIES SWINGARMS



LOWEST EXTENSION WITH EXTENDER BRACKET

[478.3]
18.83
DISTANCE TO C/L OF THE TS3XXX SERIES SWINGARMS

[486.2]
19.14
DISTANCE TO C/L OF TS5XXX SERIES SWINGARMS

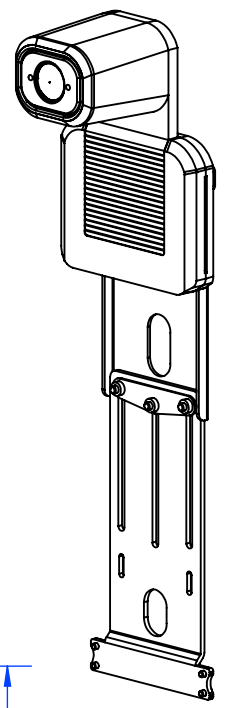


HIGHEST EXTENSION WITHOUT EXTENDER BRACKET

[114.3]
4.50
HEIGHT ADJUSTMENT

[421.1]
16.58
DISTANCE TO C/L OF THE TS3XXX SERIES SWINGARMS

[429.1]
16.89
DISTANCE TO C/L OF TS5XXX SERIES SWINGARMS



THE INFORMATION AND DESIGNS CONTAINED IN THIS DRAWING ARE CONFIDENTIAL AND THE PROPRIETARY PROPERTY OF LEGRAND | AV. NEITHER THIS DESIGN NOR ANY INFORMATION CONTAINED IN THIS DRAWING MAY BE REPRODUCED OR DISCLOSED TO OTHERS WITHOUT THE EXPRESS WRITTEN CONSENT OF LEGRAND | AV.

| | | | | | |
|--|----|---------------------|--|--|--|
| CAD GENERATED DRAWING, DO NOT MANUALLY UPDATE. | | CHIEF | | 6436 CITY WEST PKWY EDEN PRAIRIE, MN, 55344 PHONE: 866-977-3901 FAX: 877-894-6918 | |
| DRAWN BY | JL | 7/14/2020 | DESCRIPTION TECH DRAWING, TA210E | | |
| ENG APPROVAL | | | MODEL NO. TA210E | | |
| MFG APPROVAL | | | SIZE DWG. NO. B TECH-001083 | | |
| QA APPROVAL | | | REV. 00 | | |
| SHEET 1 OF 1 | | SCALE 1:8 | | | |