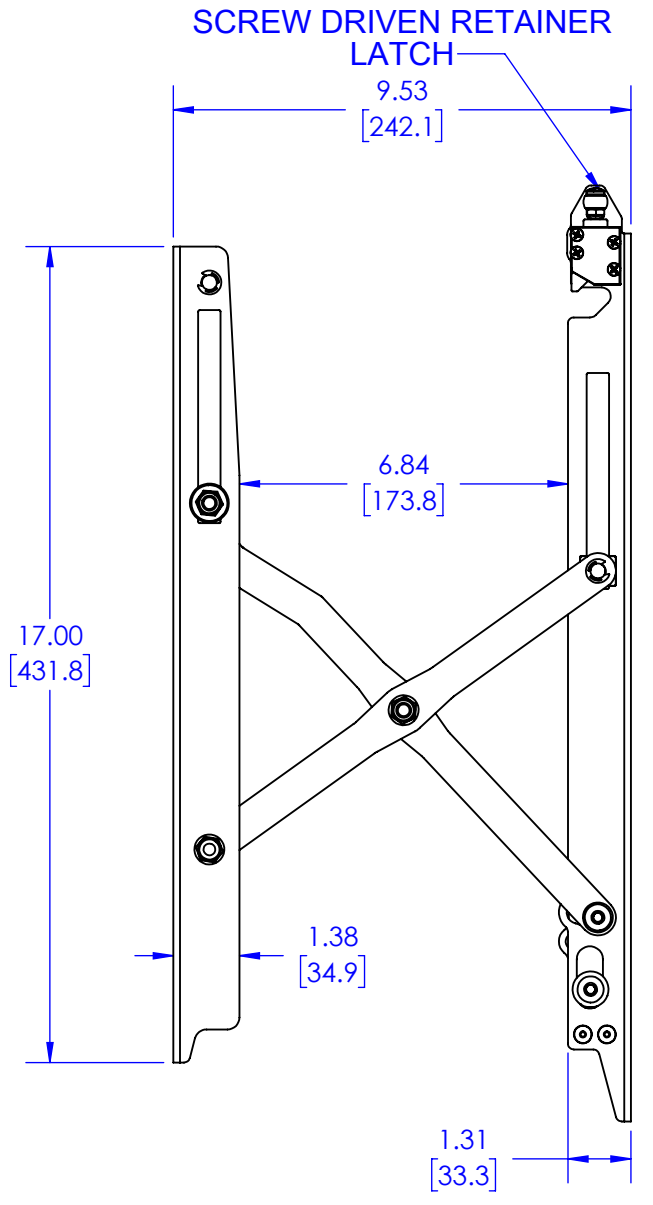
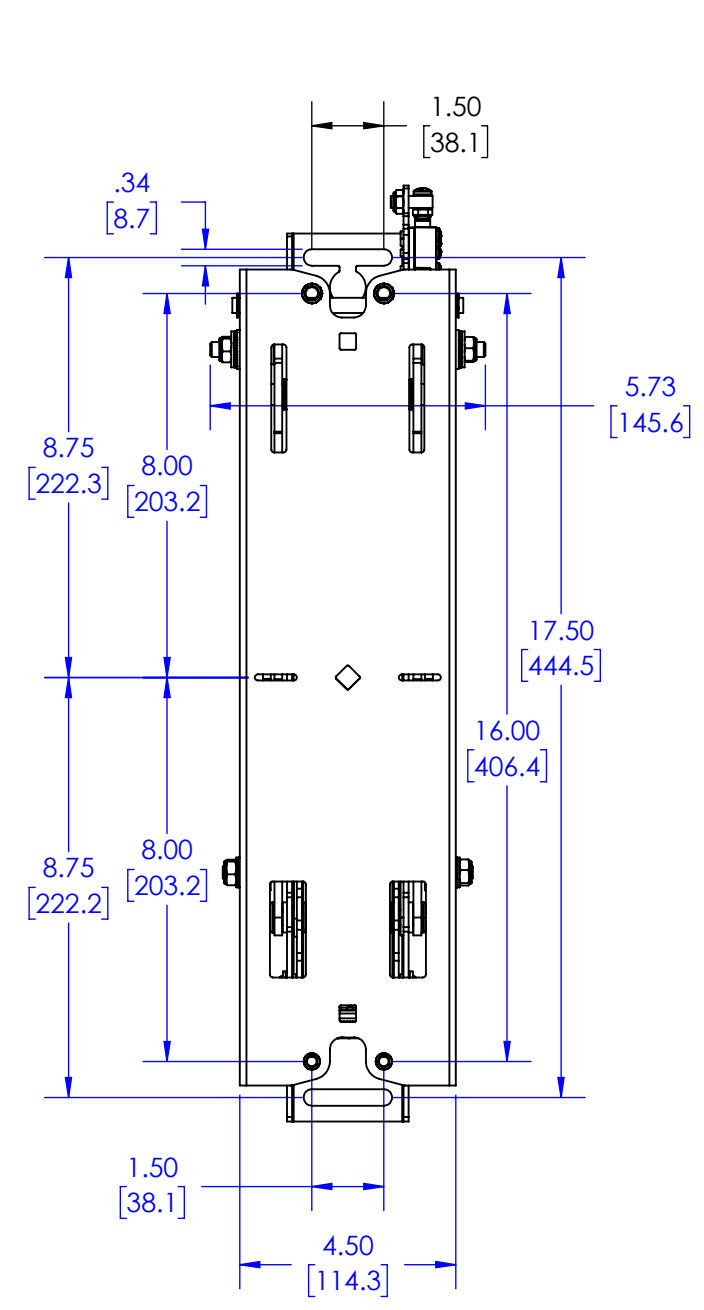
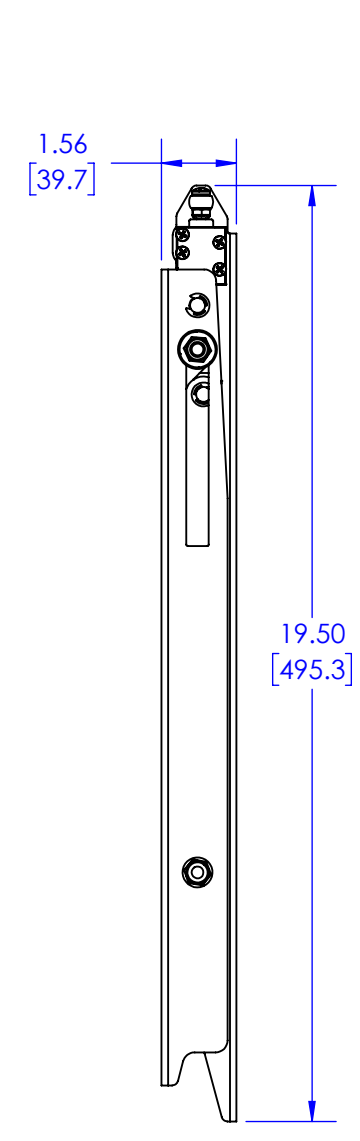


FCAXV1U CONTAINS THREE SCISSORS ASSEMBLIES AND ONE FUSION WALL ASSEMBLY

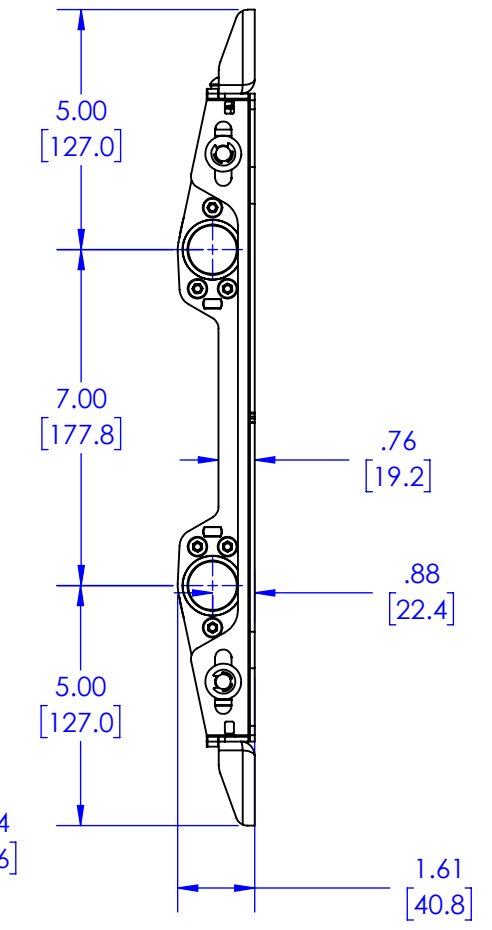
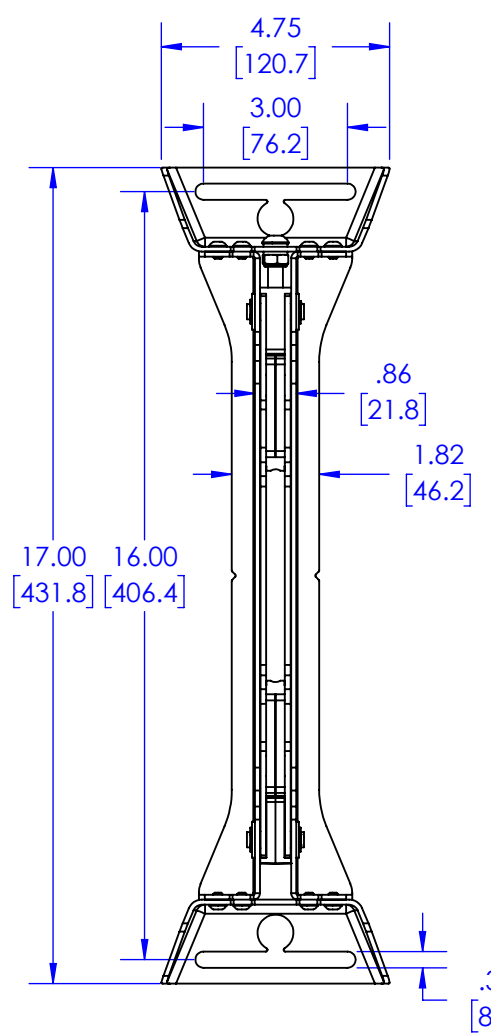
D
C
B
A



FULL EXTENSION AT 0° PLUMB



FULL RETRACTION AT 0° PLUMB

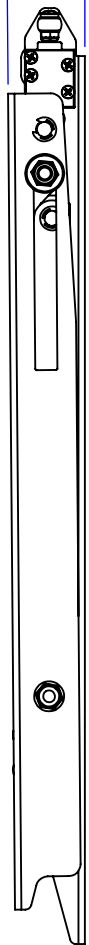


THE INFORMATION AND DESIGNS CONTAINED IN THIS DRAWING ARE CONFIDENTIAL AND THE PROPRIETARY PROPERTY OF LEGRAND | AV. NEITHER THIS DESIGN NOR ANY INFORMATION CONTAINED IN THIS DRAWING MAY BE REPRODUCED OR DISCLOSED TO OTHERS WITHOUT THE EXPRESS WRITTEN CONSENT OF LEGRAND | AV.

CAD GENERATED DRAWING, DO NOT MANUALLY UPDATE.					6436 CITY WEST PKWY EDEN PRAIRIE, MN, 55344 PHONE: 866-977-3901 FAX: 877-894-6918	
DRAWN BY	MJS	3/27/2020	DESCRIPTION			
ENG APPROVAL			FCAXV1U FUSION XL PULL OUT			
MFG APPROVAL			ACCS			
QA APPROVAL			MODEL NO.			
SHEET 1 OF 5			SCALE	1:4	SIZE	B
			DWG. NO.	TECH-001055		REV.
					01	

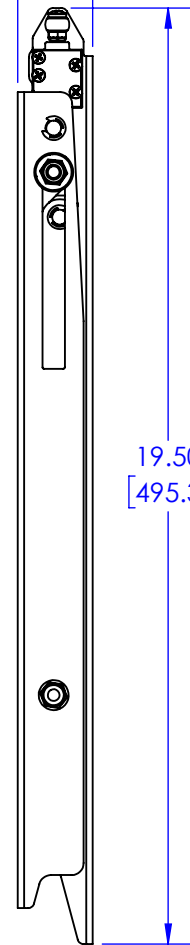
A

.5°



MAX DOWN
PLUMB

1.56
[39.7]



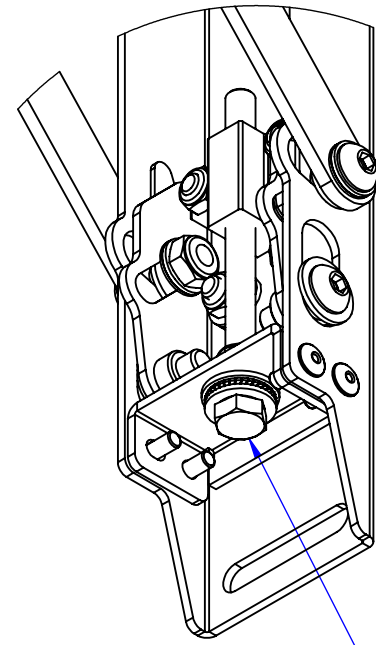
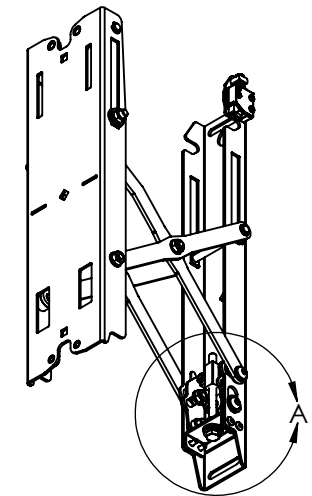
PLUMB
AT 0°

19.50
[495.3]

2°



MAX UP
PLUMB



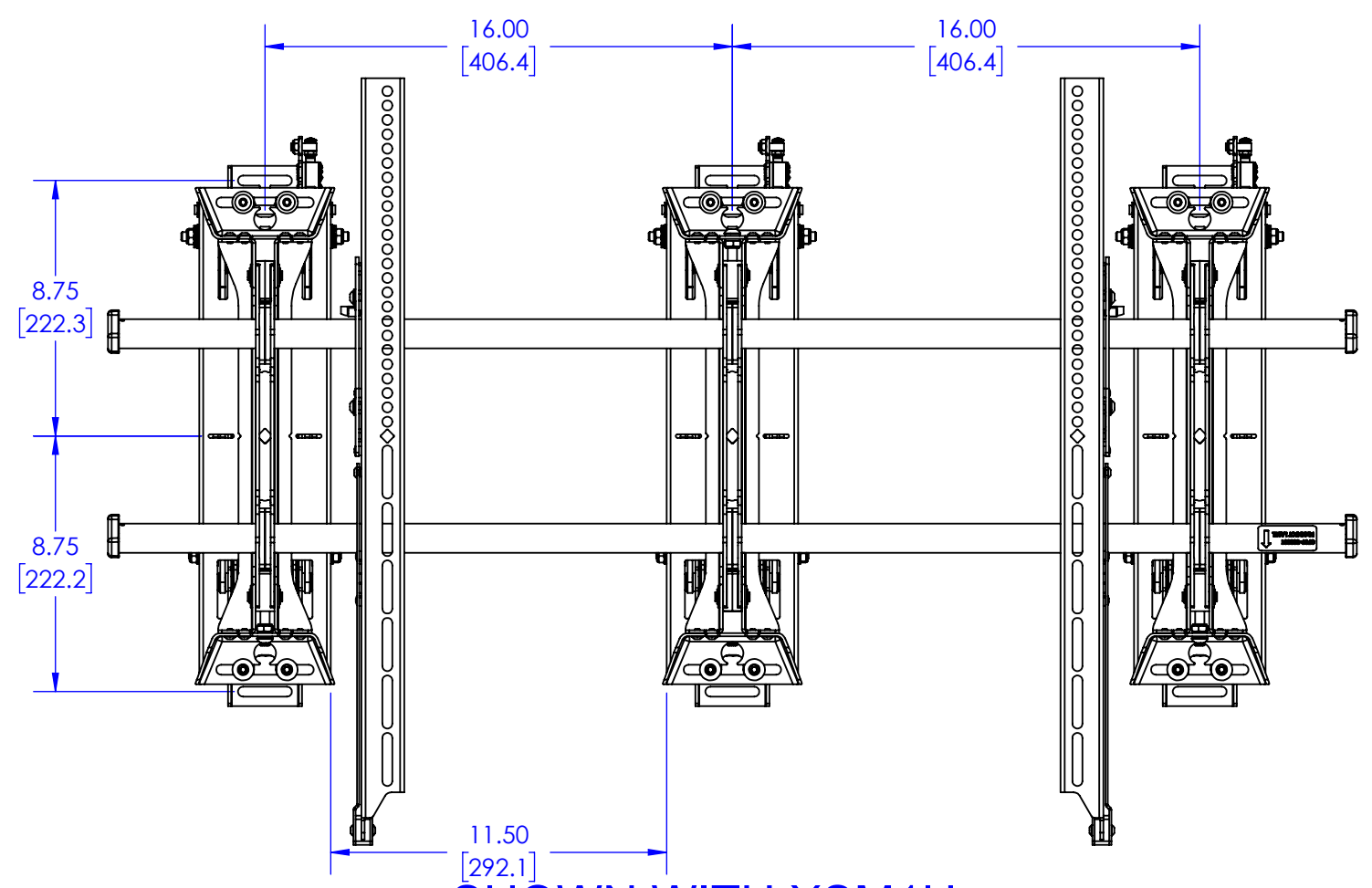
PLUMB ADJUST

DETAIL A
SCALE 1 : 2

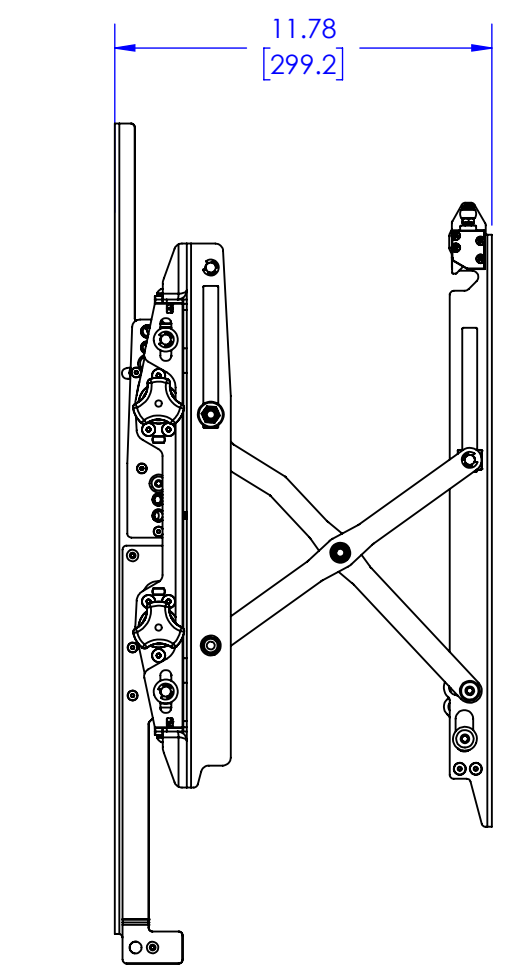
THE INFORMATION AND DESIGNS CONTAINED IN THIS DRAWING ARE CONFIDENTIAL AND THE PROPRIETARY PROPERTY OF LEGRAND | AV. NEITHER THIS DESIGN NOR ANY INFORMATION CONTAINED IN THIS DRAWING MAY BE REPRODUCED OR DISCLOSED TO OTHERS WITHOUT THE EXPRESS WRITTEN CONSENT OF LEGRAND | AV.

CAD GENERATED DRAWING, DO NOT MANUALLY UPDATE.					6436 CITY WEST PKWY EDEN PRAIRIE MN, 55344 PHONE: 866-977-3901 FAX: 877-894-6918	
DRAWN BY	MJS	3/27/2020	DESCRIPTION			
ENG APPROVAL			FCAXV1U FUSION XL PULL OUT			
MFG APPROVAL			ACCS			
QA APPROVAL			MODEL NO.			
SHEET 2 OF 5			SCALE	SIZE	DWG. NO.	REV.
			1:4	B	TECH-001055	01

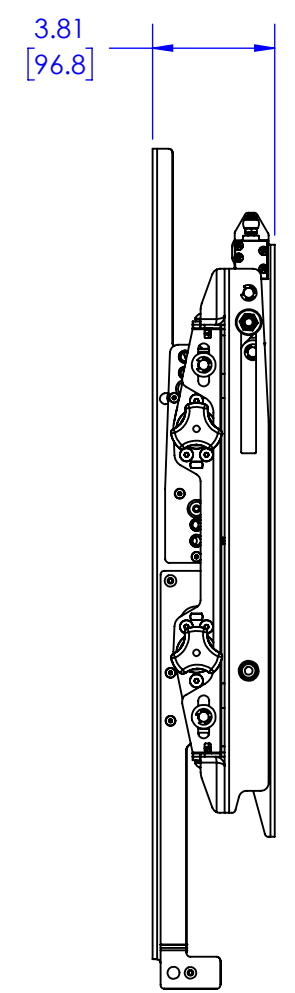
SHOWN WITH LATERAL SHIFT
ON CENTER



SHOWN WITH XSM1U
(SOLD SEPARATELY)



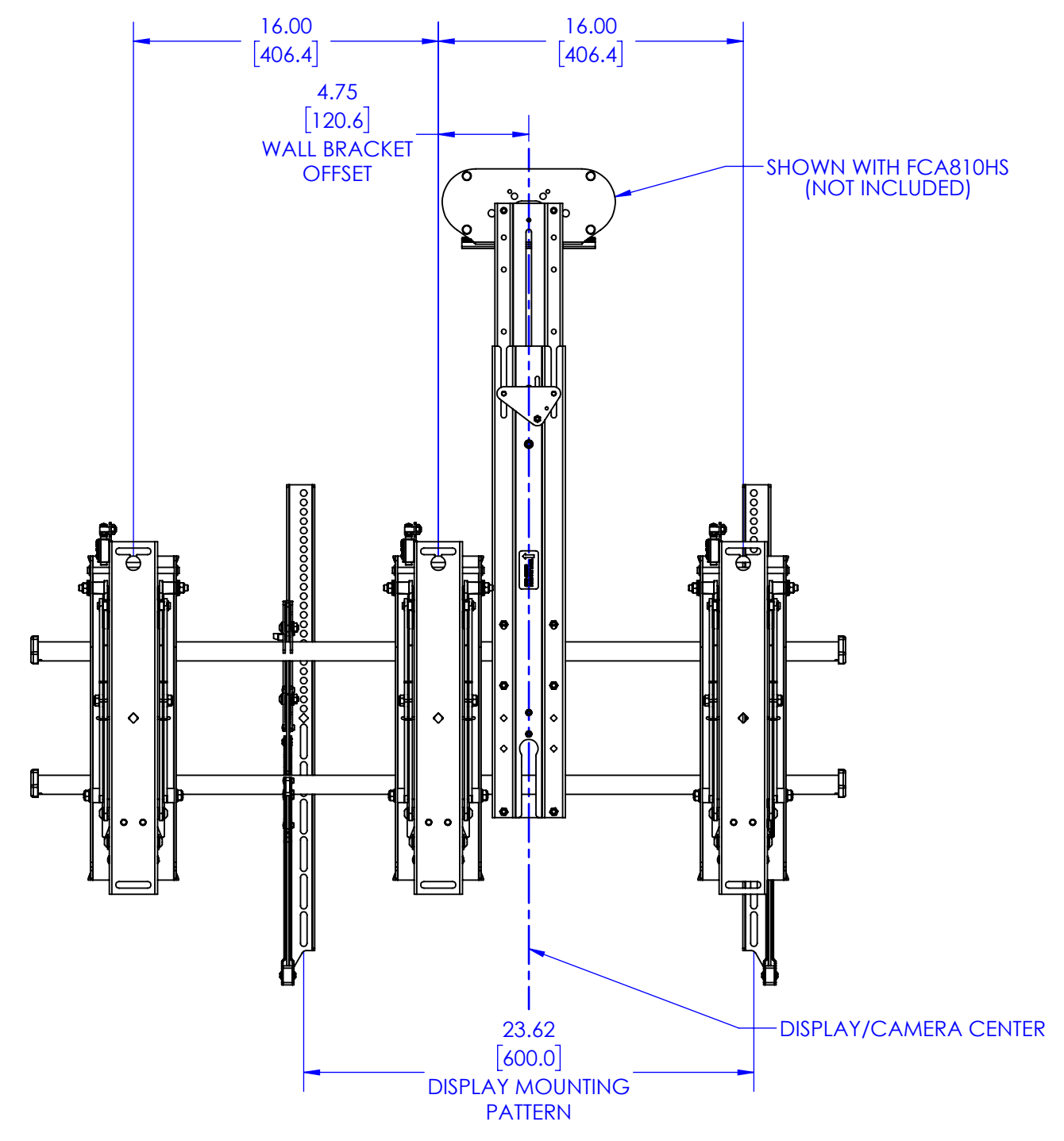
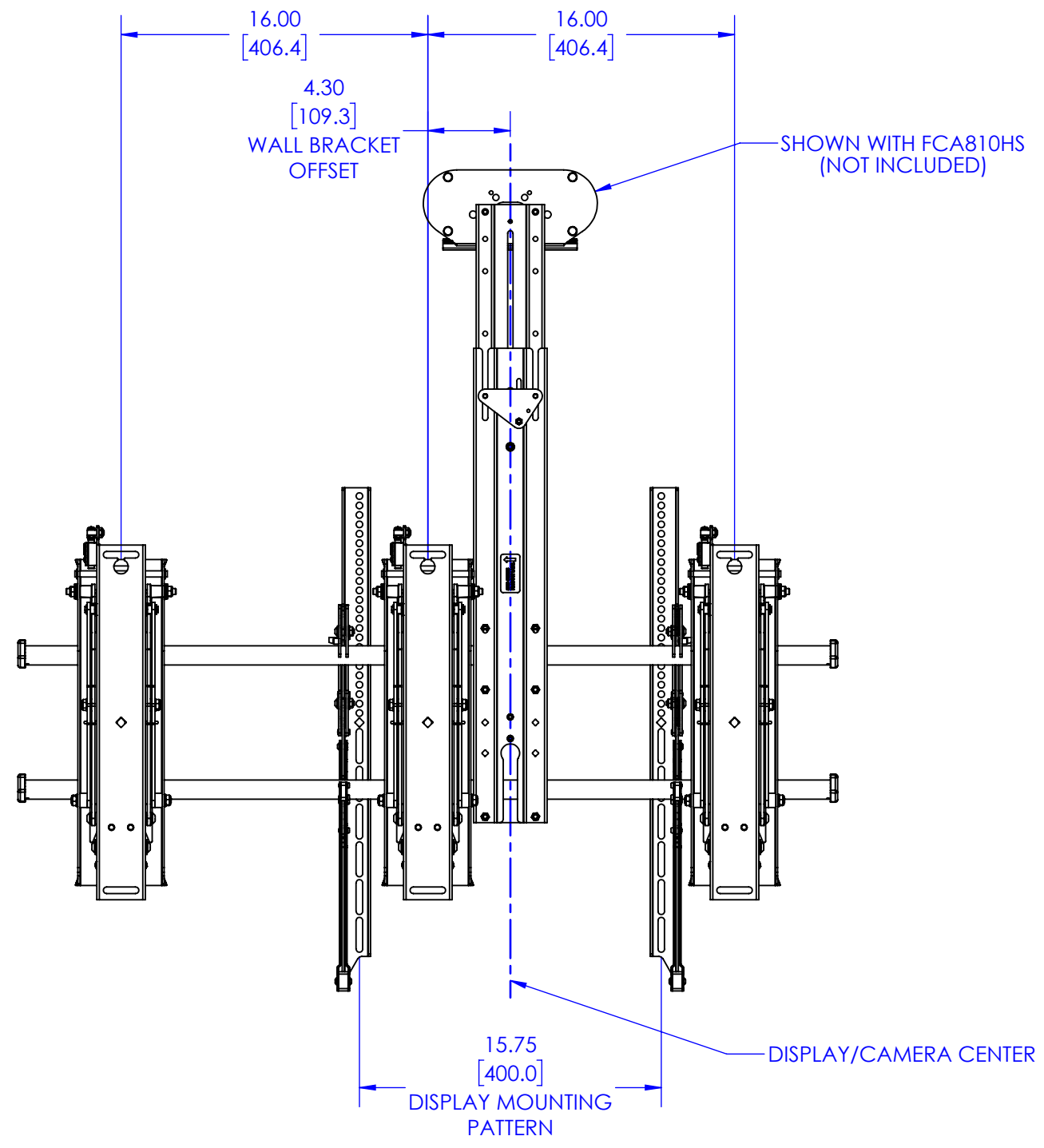
FULL EXTENSION
AT 0° PLUMB
WITH XSM1U
(SOLD SEPARATELY)



FULL RETRACTION
AT 0° PLUMB
WITH XSM1U
(SOLD SEPARATELY)

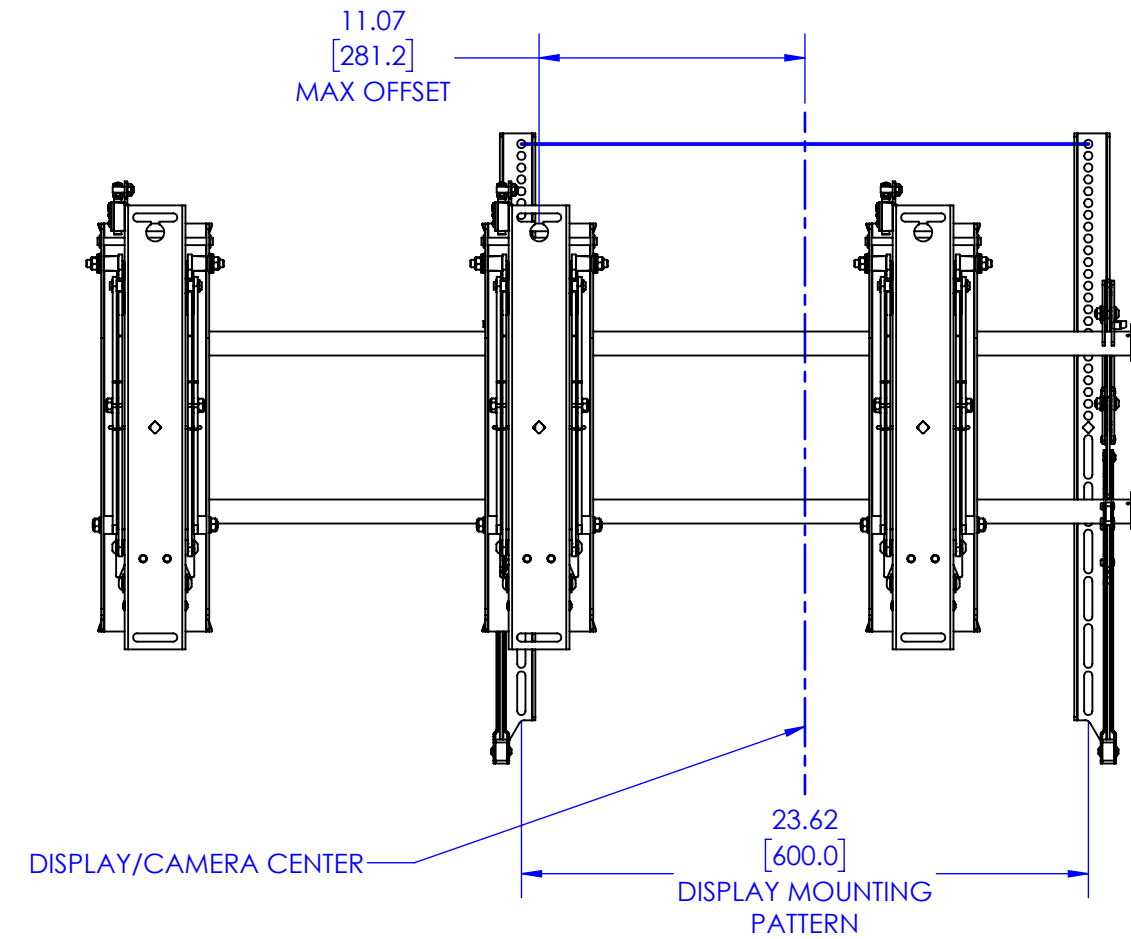
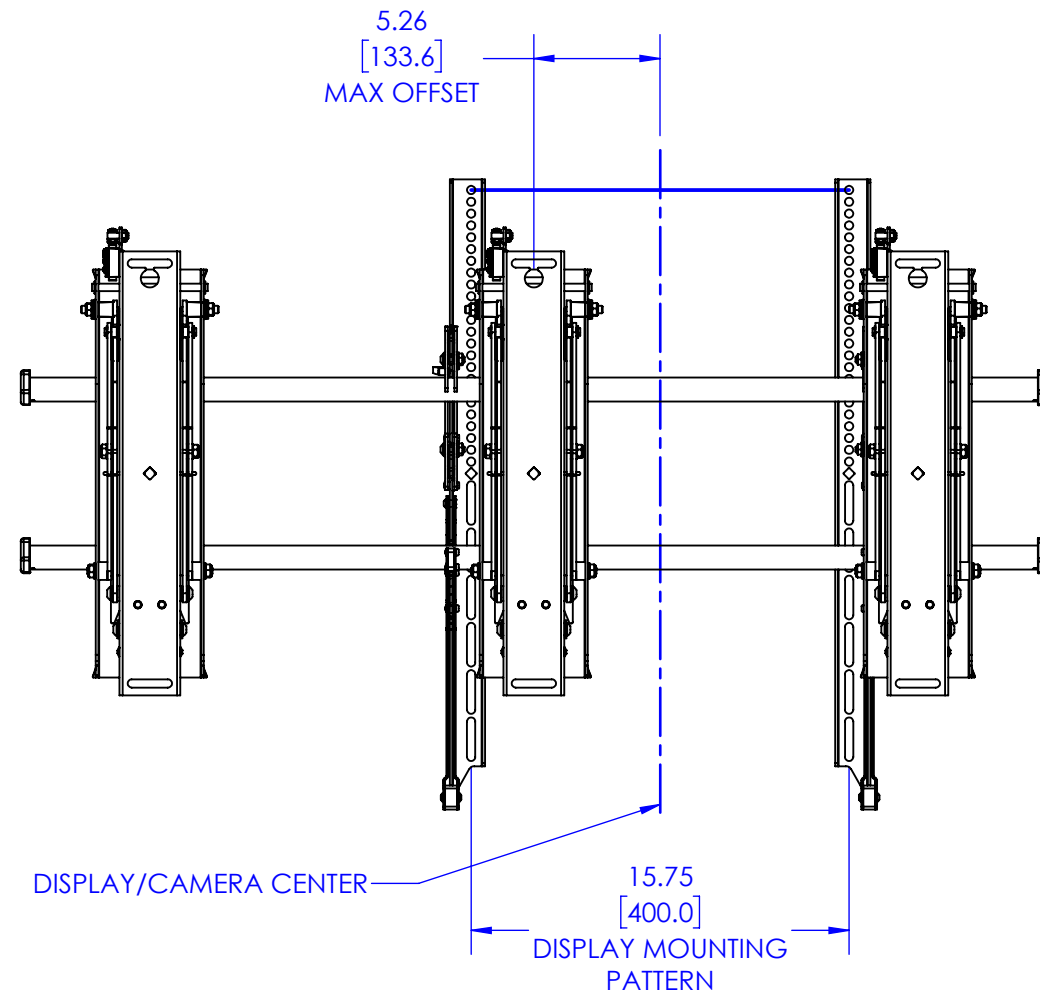
THE INFORMATION AND DESIGNS CONTAINED IN THIS DRAWING ARE CONFIDENTIAL AND THE PROPRIETARY PROPERTY OF LEGRAND | AV. NEITHER THIS DESIGN NOR ANY INFORMATION CONTAINED IN THIS DRAWING MAY BE REPRODUCED OR DISCLOSED TO OTHERS WITHOUT THE EXPRESS WRITTEN CONSENT OF LEGRAND | AV.

CAD GENERATED DRAWING, DO NOT MANUALLY UPDATE.					6436 CITY WEST PKWY EDEN PRAIRIE MN, 55344 PHONE: 866-977-3901 FAX: 877-894-6918	
DRAWN BY	MJS	3/27/2020	DESCRIPTION			
ENG APPROVAL			FCAXV1U FUSION XL PULL OUT ACCS			
MFG APPROVAL			MODEL NO.			
QA APPROVAL			FCAXV1U			
SHEET 3 OF 5		SCALE	SIZE	DWG. NO.	REV.	
		1:6	B	TECH-001055	01	




THE INFORMATION AND DESIGNS CONTAINED IN THIS DRAWING ARE CONFIDENTIAL AND THE PROPRIETARY PROPERTY OF LEGRAND | AV. NEITHER THIS DESIGN NOR ANY INFORMATION CONTAINED IN THIS DRAWING MAY BE REPRODUCED OR DISCLOSED TO OTHERS WITHOUT THE EXPRESS WRITTEN CONSENT OF LEGRAND | AV.

CAD GENERATED DRAWING, DO NOT MANUALLY UPDATE.				6436 CITY WEST PKWY EDEN PRAIRIE MN, 55344 PHONE: 866-977-3901 FAX: 877-894-6918	
DRAWN BY	MJS	3/27/2020	DESCRIPTION		
ENG APPROVAL			FCAXV1U FUSION XL PULL OUT ACCS		
MFG APPROVAL			MODEL NO.		
QA APPROVAL			FCAXV1U		
SHEET 4 OF 5		SCALE	SIZE	DWG. NO.	REV.
		1:8	B	TECH-001055	01



THE INFORMATION AND DESIGNS CONTAINED IN THIS DRAWING ARE CONFIDENTIAL AND THE PROPRIETARY PROPERTY OF LEGRAND | AV. NEITHER THIS DESIGN NOR ANY INFORMATION CONTAINED IN THIS DRAWING MAY BE REPRODUCED OR DISCLOSED TO OTHERS WITHOUT THE EXPRESS WRITTEN CONSENT OF LEGRAND | AV.

CAD GENERATED DRAWING, DO NOT MANUALLY UPDATE.					6436 CITY WEST PKWY EDEN PRAIRIE, MN, 55344 PHONE: 866-977-3901 FAX: 877-894-6918	
DRAWN BY	MJS	3/27/2020	DESCRIPTION			
ENG APPROVAL			FCAXV1U FUSION XL PULL OUT			
MFG APPROVAL			ACCS			
QA APPROVAL			MODEL NO.			
SHEET 5 OF 5			SCALE	SIZE	DWG. NO.	REV.
			1:8	B	TECH-001055	01