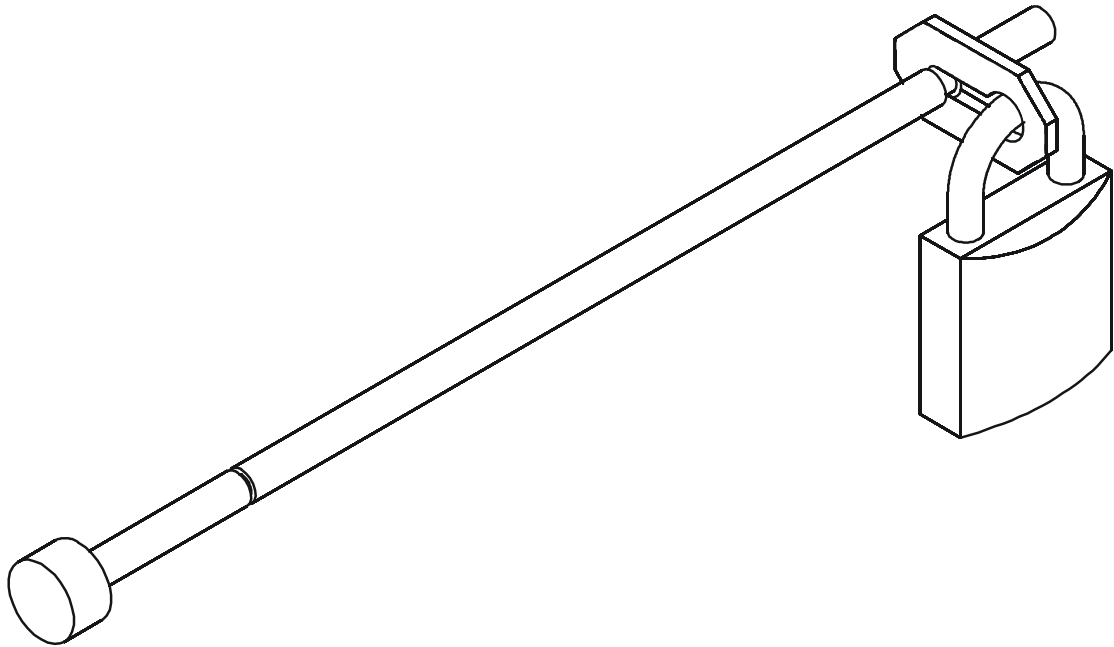


---

# INSTALLATION INSTRUCTIONS

---



---

## Cable Padlock Kit

---

### DISCLAIMER

Milestone AV Technologies and its affiliated corporations and subsidiaries (collectively "Milestone"), intend to make this manual accurate and complete. However, Milestone makes no claim that the information contained herein covers all details, conditions or variations, nor does it provide for every possible contingency in connection with the installation or use of this product. The information contained in this document is subject to change without notice or obligation of any kind. Milestone makes no representation of warranty, expressed or implied, regarding the information contained herein. Milestone assumes no responsibility for accuracy, completeness or sufficiency of the information contained in this document.

Chief® is a registered trademark of Milestone AV Technologies. All rights reserved.



**CAUTION:** A CAUTION alerts you to the possibility of damage or destruction of equipment if you do not follow the corresponding instructions.



**WARNING:** Failure to read, thoroughly understand, and follow all instructions can result in serious personal injury, damage to equipment, or voiding of factory warranty! It is the installer's responsibility to make sure all components are properly assembled and installed using the instructions provided.

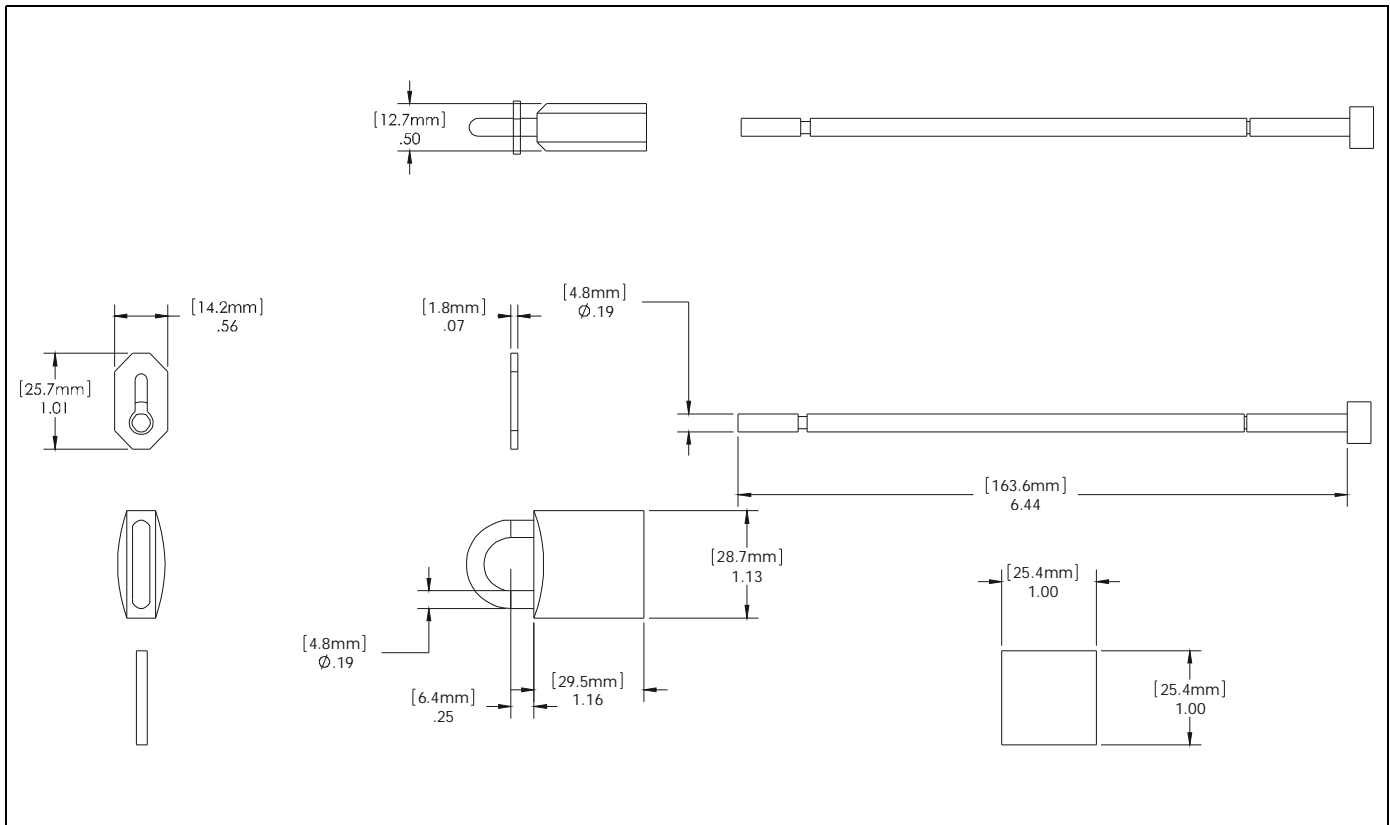


### IMPORTANT WARNINGS AND CAUTIONS!

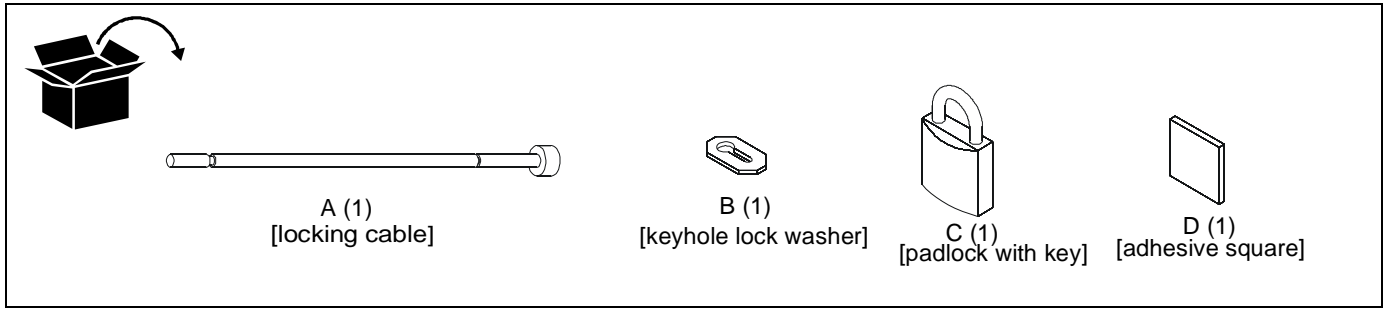


**WARNING:** A WARNING alerts you to the possibility of serious injury or death if you do not follow the instructions.

### DIMENSIONS



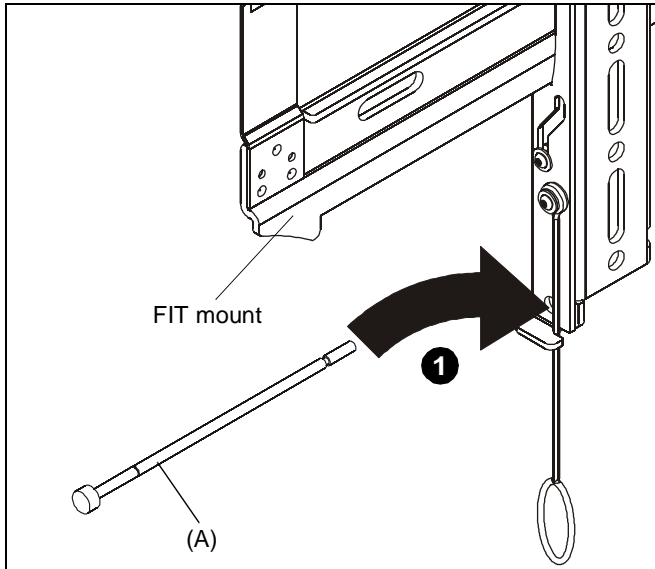
**PARTS FOR INSTALLATION**



**ASSEMBLY AND INSTALLATION**

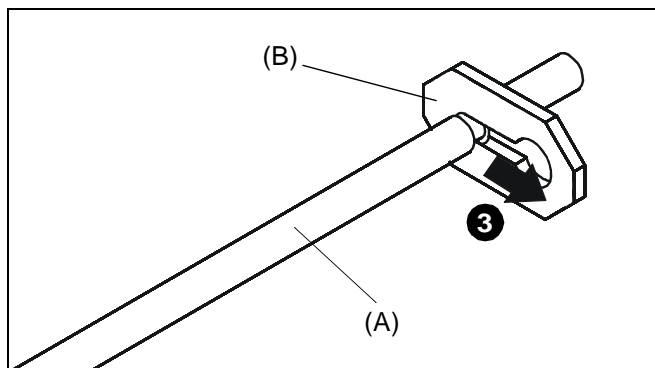
The PAC-LK1 is designed to provide additional security for low-profile mounts such as the Chief® FIT Series.

1. Thread locking cable (A) through bottom hole on vertical upright of mount. (See Figure 1)



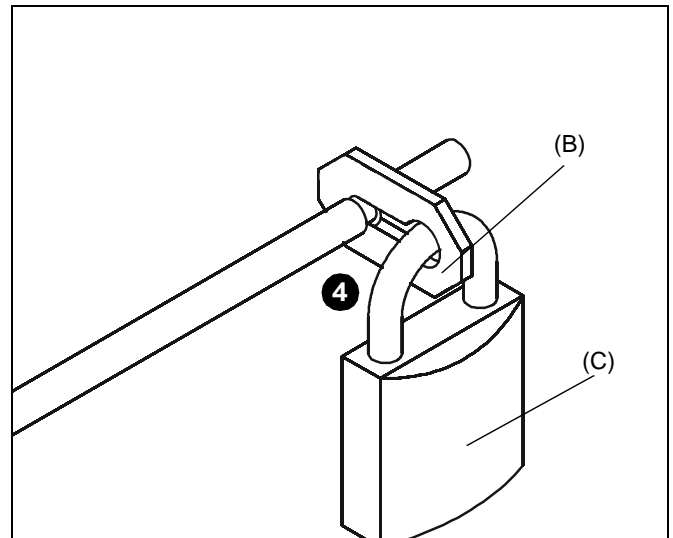
**Figure 1**

2. Install keyhole lock washer (B) onto end of locking cable (A) at narrow section of cable. (See Figure 2)



**Figure 2**

3. Slide keyhole lock washer (B) so that wide opening is open for inserting padlock. (See Figure 2)
4. Thread padlock (C) through keyhole lock washer (B). (See Figure 3)



**Figure 3**

5. (Optional) Use adhesive square (D) to attach lock to back of display or wall in order to keep it from being visible to the viewer.



Our Mounts. **Your Vision.**

Chief Manufacturing, a products division  
of Milestone AV Technologies

8807-002015 Rev00  
©2010 Milestone AV Technologies, a  
Duchossois Group Company  
[www.chiefmfg.com](http://www.chiefmfg.com)  
04/10

<b>USA/International</b>	<b>A</b> 8401 Eagle Creek Parkway, Savage, MN 55378 <b>P</b> 800.582.6480 / 952.894.6280 <b>F</b> 877.894.6918 / 952.894.6918
<b>Europe</b>	<b>A</b> Fellenoord 130 5611 ZB EINDHOVEN, The Netherlands <b>P</b> +31 (0)40 2668620 <b>F</b> +31 (0)40 2668615
<b>Asia Pacific</b>	<b>A</b> Office No. 1 on 12/F, Shatin Galleria 18-24 Shan Mei Street Fotan, Shatin, Hong Kong <b>P</b> 852 2145 4099 <b>F</b> 852 2145 4477

