

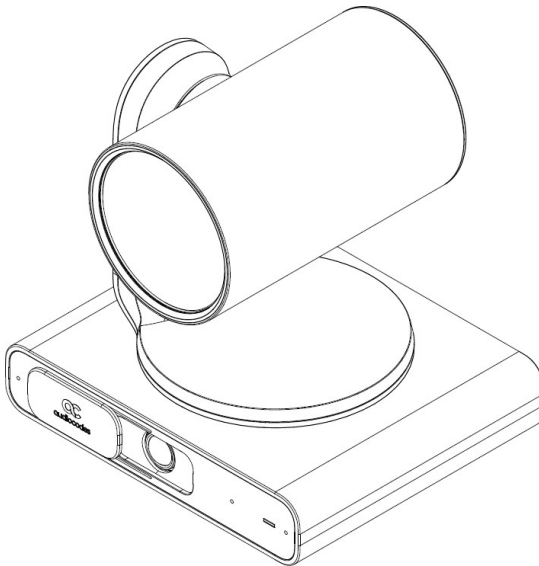
# Quick Guide

## Welcome

Congratulations on purchasing your **AudioCodes Kramer KAC-CAM-70 PTZ** camera!

In this Manual, the following marketing names are interchangeable:

KAC-CAM-70	RXVCam70
------------	----------



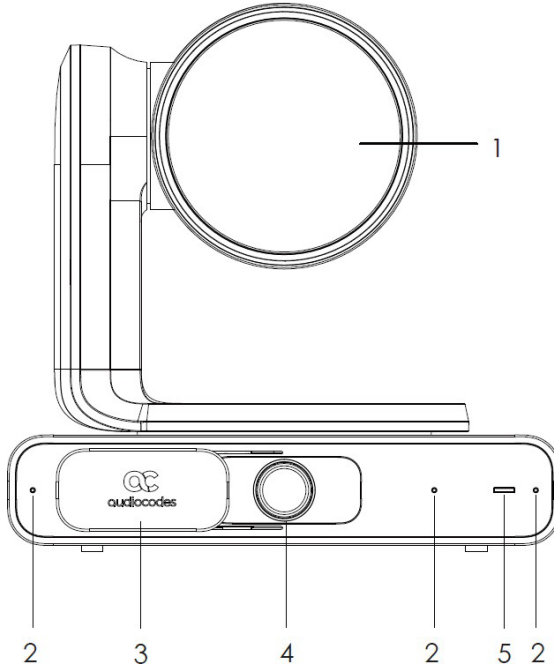
## Checking Package Contents

Before installing your KAC-CAM-70, make sure these items are included in your shipped box:

- ✓ Power Supply
- ✓ USB cable (A-C) 2m
- ✓ Wall Mount Bracket
- ✓ Power Adaptor
- ✓ Remote Control (RC)
- ✓ Ethernet cable

## Getting Acquainted

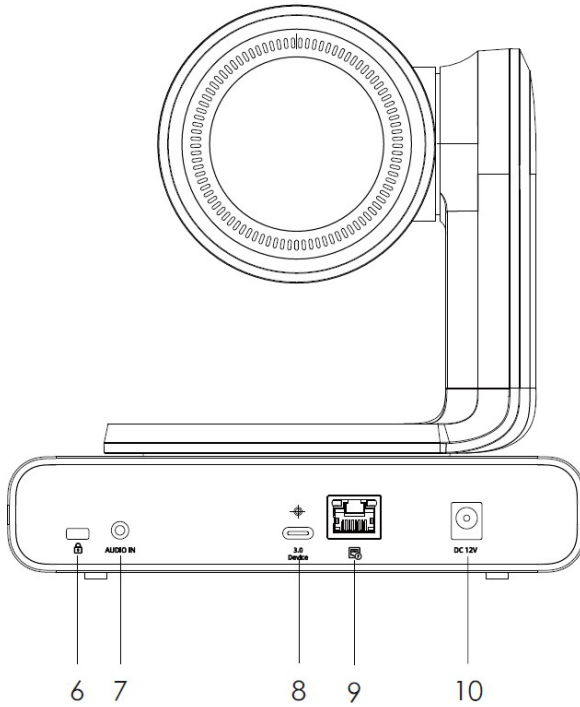
The figure below shows the *front* view of the KAC-CAM-70.



Use the table as reference to the preceding figure.

#	Description
1	PTZ Optical Zoom camera
2	Microphone array
3	Privacy cover
4	Room view wide-angle camera
5	LED indicator light

The figure below shows the *back* view of the KAC-CAM-70.



Use the table as reference to the preceding figure.

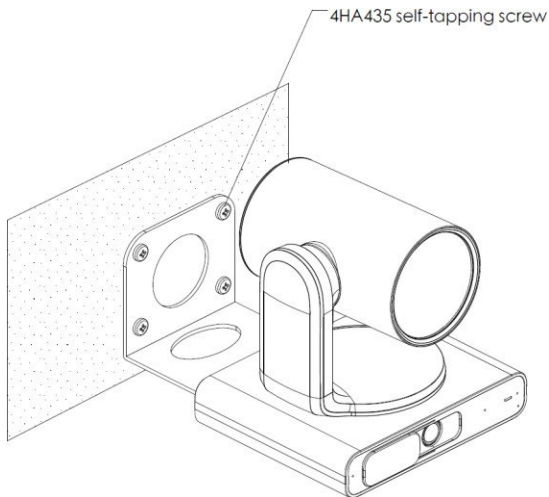
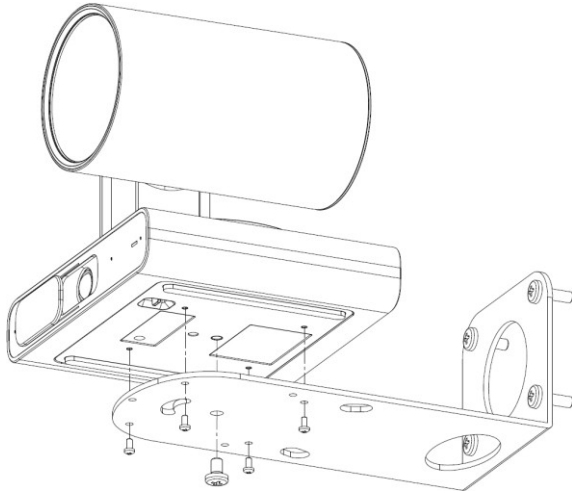
#	Description
6	Safety lock hole
7	Audio In port
8	USB 3.0 port
9	RJ-45 network port (PoE+)
10	DC 12V port

## Installation



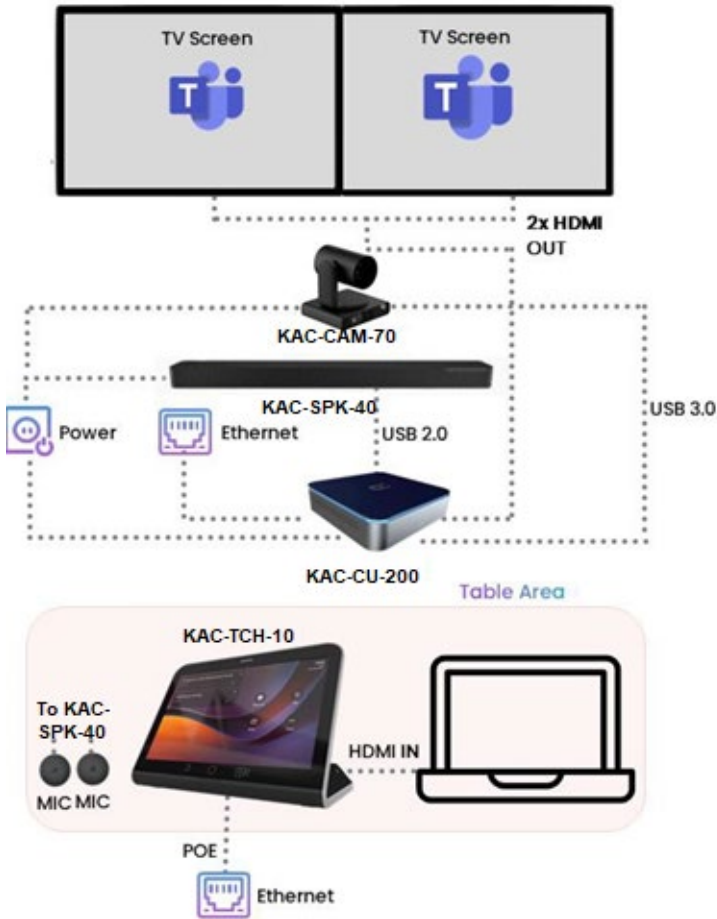
- The recommended installation height is 1.5m-1.8m above ground level.
- Screw specifications: 1 round head Phillips machine screw 1/4"-20UNC10)
- 4 cross-slotted round head screws with self-tapping threads (PWM3\*8)

Use the figures below as reference.



## Cabling

Use the figure below as reference when cabling KAC-CAM-70.



- The preceding figure shows the AudioCodes Kramer **KAC-SPK-40** Speakerphone (under the two TVs together with KAC-CAM-70) to illustrate the setup's audio device.
- Alternatively, other audio devices can be used, such as AudioCodes' **KAC-SPK-15** Speakerphone  
| Huddle Room Speaker (placed on the table together with KAC-TCH-10).

## Determining Camera Processes from Light Indicators

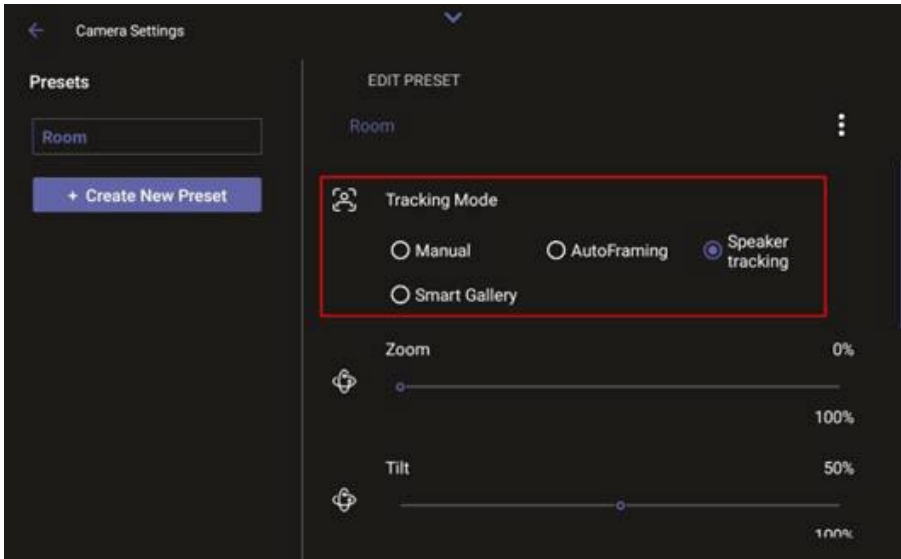
Use the table below as reference.

Light Indicator	Status
Steady red light	Standby
Orange	Boot process
Steady white light	Camera On
Flashing blue light	Upgrade process
Flash once	Remote control

## Camera Tracking Mode


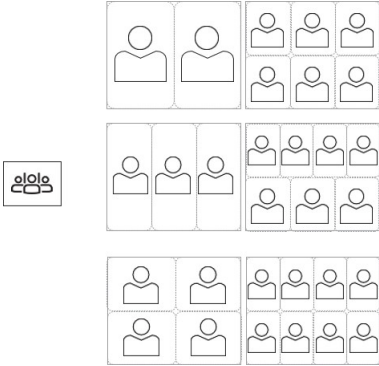

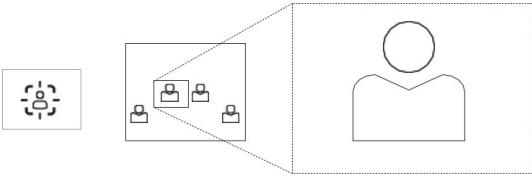
From KAC-TCH-10's 'Camera Settings', select one of the following KAC-CAM-70 camera Tracking Modes:

- ✓ Manual
- ✓ Auto framing
- ✓ Speaker tracking
- ✓ Smart Gallery



## Choosing a Tracking Mode

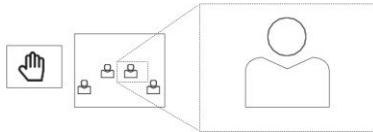
Use the table below as reference when choosing a Tracking Mode.

 <p><b>Smart Gallery</b></p>	<ul style="list-style-type: none"><li>▪ Automatically identifies 1-8 people</li><li>▪ Automatically lays out the display</li><li>▪ When a person moves, the camera automatically tracks them and keeps them centered</li><li>▪ Switching from one person to another is accompanied by dynamic effects of entry and exit</li></ul>
 <p>The diagram illustrates the Smart Gallery tracking mode. It shows a central icon of three people. To the right, there are three rows of person icons. The top row has two icons, the middle row has three, and the bottom row has four. A dashed box highlights the top-left icon in the top row, indicating it is the current focus of the camera.</p>	
 <p><b>Presenter Tracking</b></p>	<ul style="list-style-type: none"><li>▪ [Currently supported by the RC only]</li><li>▪ Automatically identifies and tracks the position of the presenter to ensure that that person remains centered.</li><li>▪ Press the left and right keys to select the target to track.</li><li>▪ Press <b>OK</b> to choose the target.</li></ul>
 <p>The diagram illustrates the Presenter Tracking mode. It shows a central icon of a person with a tracking box around them. To the right, there is a larger icon of a person, representing the presenter. A dashed box highlights the presenter icon, indicating it is the target being tracked.</p>	



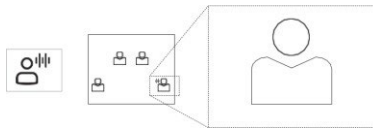
### Manual

- Select this option to manually adjust the Zoom, Tilt or Pan.
- In KAC-TCH-10's 'Camera Settings' page, use the sliders to set Zoom, Tilt or Pan.
- Using the RC, after selecting an area to display, zoom in | out, move up | down, and move left | right.
- This mode does not have AI functions.



### Speaker Tracking

- Automatically tracks speakers who speak continuously for 3-5 seconds
- Focuses on the speaker (displays them close-up allowing participants to focus more)
- Effective distance: 6m



### Group Framing

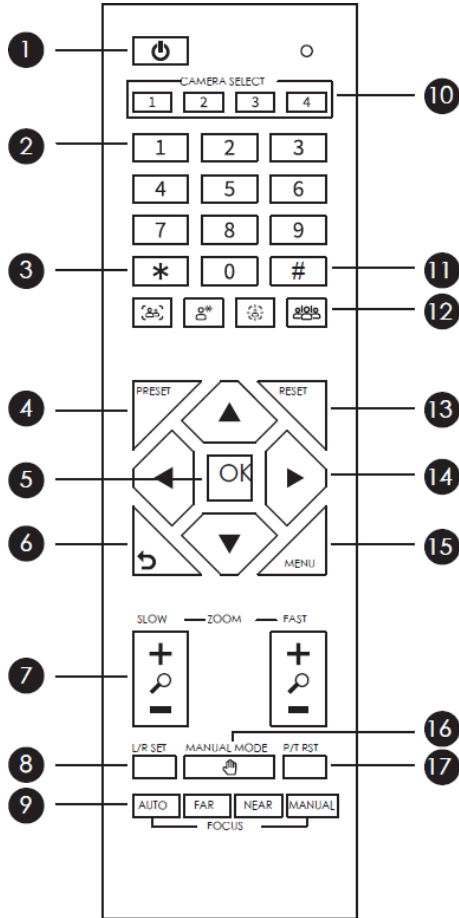
- Automatically detects and frames all the participants in the room.
- Effective distance: 8m





## Getting Acquainted with the Remote Control (RC)

Use the table following the figure below as reference.



Use the table as reference to the preceding figure.

#	Item	Description
1	Standby	Press to put the camera in standby mode.
2	Number keys	Set or call presets.
3	*	Use in combination with other buttons.

#	Item	Description
4	PRESET	Set presets: Set preset + number (0-9). Preset 0 can be set as the default.
5	OK	Confirm the selected menu or press to return the pan/tilt to the center position.
6	Back	Press to return to the previous level in the OSD (on-screen display) menu.
7	ZOOM	Slowly or quickly zoom the lens in/out.
8	L/R SET [Left/Right Setting]	Defines the gimble rotation when the right or left key (#14) is pressed: <ul style="list-style-type: none"> <li>■ Press this button + "1" key simultaneously - right and left key (#14) moves camera to the right and left, respectively.</li> <li>■ Press this button + "2" simultaneously - right and left key (#14) moves camera to the left and right, respectively.</li> </ul>
9	FOCUS	Switch focus: Auto/Manual/Far/Near
10	CAMERA SELECT	Select the camera to be controlled.
11	#	Use in combination with other buttons.
12	AI Mode	Auto Framing, Voice Tracking, People Tracking, Smart Gallery
13	RESET	Press this button + preset number key (0-9) in sequence to clear presets.
14	Pan/tilt control	① In manual mode, control the direction of the PTZ ② In the menu, switch directions ③ In people tracking mode, select the tracking target
15	MENU	Press to enter or exit the OSD (on-screen display) menu.
16	MANUAL MODE	Exit AI tracking.
17	P/T RST Key	Press to start self-check of the pan/tilt.

## International Headquarters

2 Negev Street,  
Airport City  
Lod 7019900, Israel  
Tel: +972 073 2650200  
Mail: Info@kramerav.com

**Contact us:** <https://www.kramerav.com/contact-us/>

**Website:** <https://www.kramerav.com/>

©2023 AudioCodes Ltd. All rights reserved. AudioCodes, AC, HD VoIP, HD VoIP Sounds Better, IPmedia, Mediant, MediaPack, What's Inside Matters, OSN, SmartTAP, User Management Pack, VMAS, VoIPerfect, VoIPerfectHD, Your Gateway To VoIP, 3GX, VocaNom, AudioCodes One Voice, AudioCodes Meeting Insights and AudioCodes Room Experience are trademarks or registered trademarks of AudioCodes Limited. All other products or trademarks are property of their respective owners. Product specifications are subject to change without notice.



### FCC Warning

Prior to operating KAC-CAM-70 and AudioCodes Kramer devices for Teams Rooms on Android, refer to the [regulatory information documents](#).

## Notice Information

Information contained in this document is believed to be accurate and reliable at the time of printing. However, due to ongoing product improvements and revisions, AudioCodes Kramer cannot guarantee accuracy of printed material after the Date Published nor can it accept responsibility for errors or omissions.

Updates to this document can be downloaded from <https://www.kramerav.com/>

This document is subject to change without notice.

Date Published: August-12-2024

