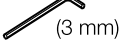
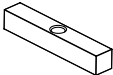
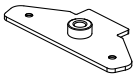

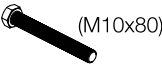


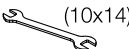
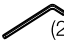


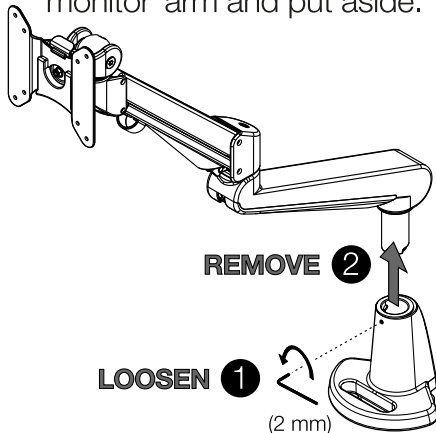
### Grommet bracket for 438-LC50

In order to achieve a correct mounting, you are advised to read and follow the instructions step by step. If there are incomprehensible steps, please let us know and we will get back to you.

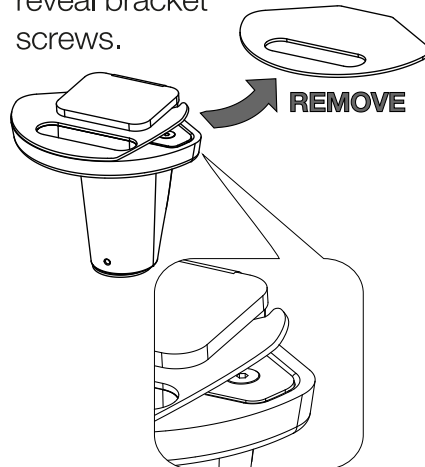
#### Part Check-List

①		x1	⑤		x1
②		x1	⑥		x1
③		x1	⑦		x2
④		x1	⑧		x1
①	①  (2 mm) & (6 mm) Parts not incl. These parts are included in the monitor arm.				

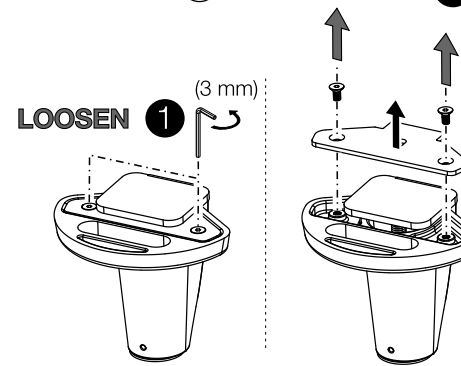
**1** Loosen screw using a 2 mm Allen key ① and remove monitor arm and put aside.



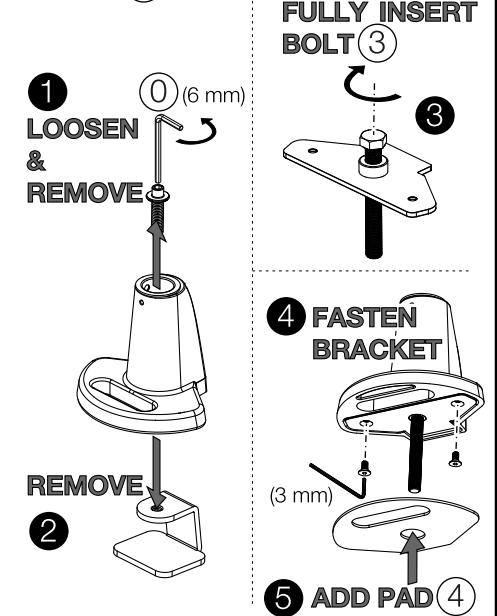
**2** Remove pre-attached to reveal bracket screws.



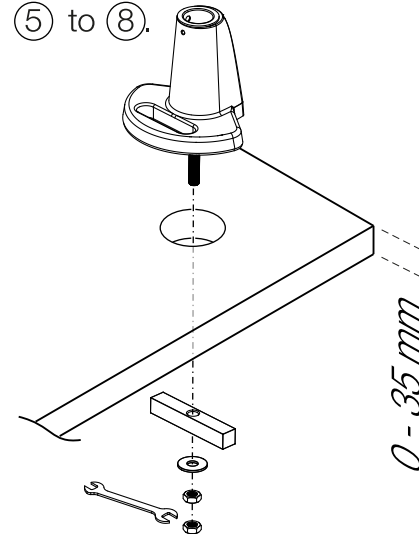
**3** Remove bracket using 3 mm Allen key ①.



**4** Replace clamp bracket with grommet bracket ② and bolt ③.



**5** Insert grommet clamp to a Ø12-80 mm hole. By making a Ø80 mm - you can feed cables through the grommet cable-through. Position grommet and feed cables through the hole. Then fasten bracket using parts ⑤ to ⑧.



**6** Insert monitor arm and tighten 2 mm Allen key ①.

