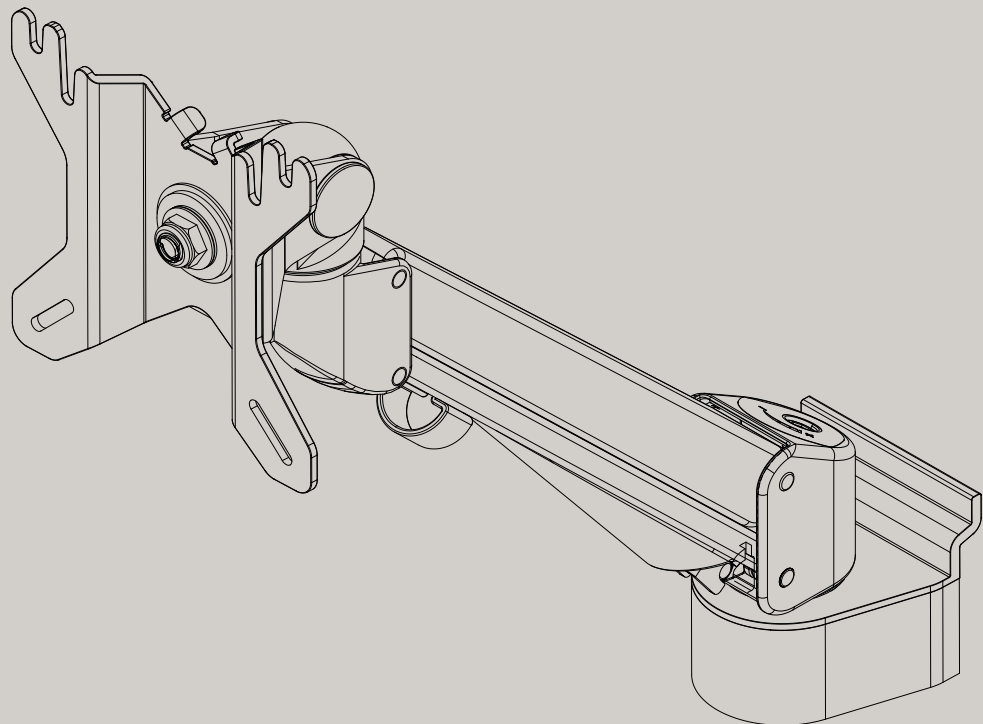
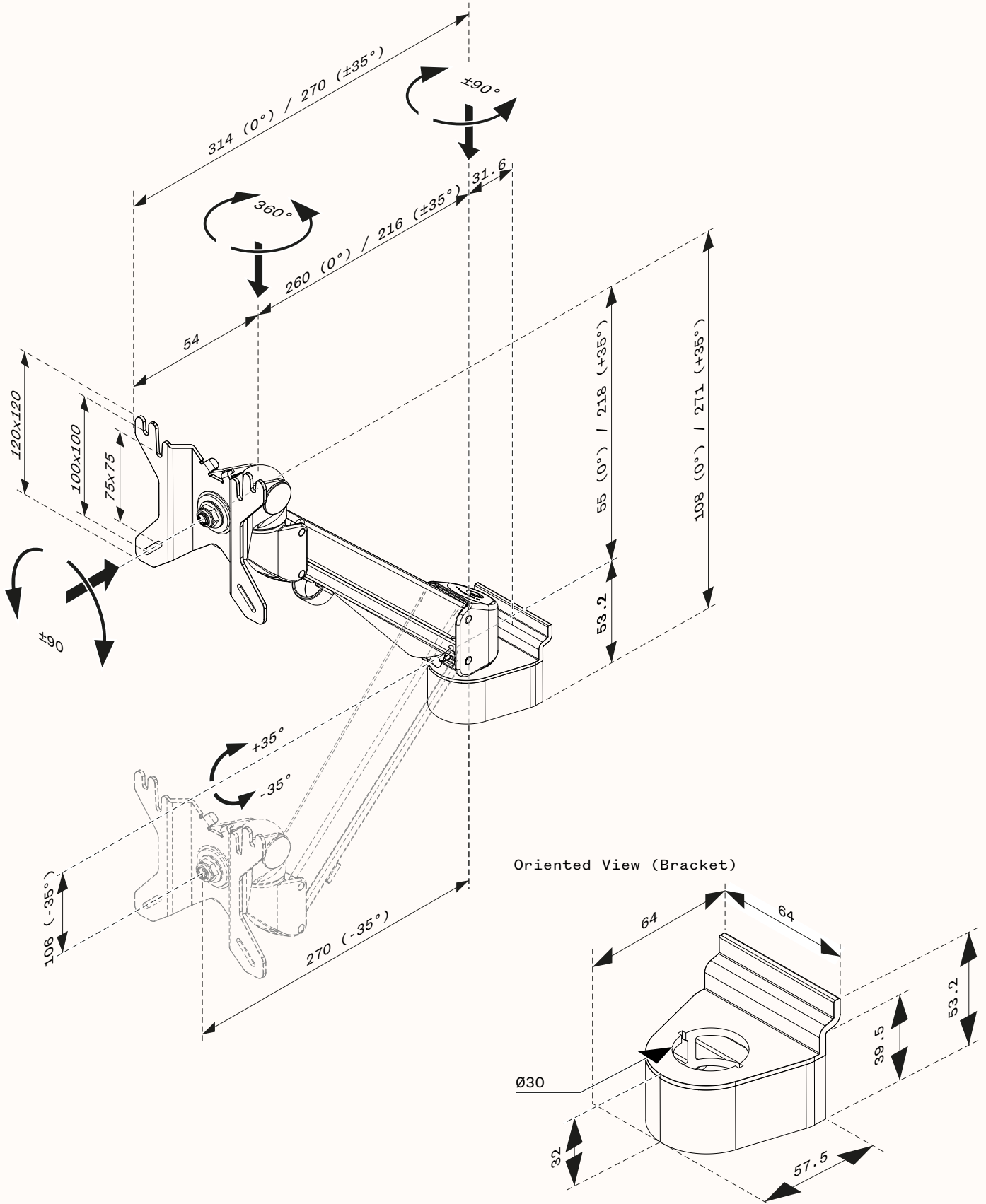


ELEVATE MONITOR ARM⁵⁶



Dimensions

See user manual for assembly instructions.



ELEVATE MONITOR ARM⁵⁶

8-14 KG, GAS SPRING, RAIL MOUNTED, BLACK/WHITE/SILVER

ART. NO

4385605609	BLACK
4385605601	WHITE
4385605602	SILVER

Technical data

MATERIAL	STEEL
COLOUR	BLACK RAL 9005, WHITE RAL 9016, SILVER
FINISH	BLACK/WHITE-MATTE, SILVER-METALLIC
MAXIMUM ARM LENGTH	300mm
MAX LOAD	8-14kg
VESA	75/100
