

MH560

Digital Projector



Features

- Dual HDMI inputs for multiplatform digital connectivity
- 3,800 ANSI Lumen High Brightness for Stunning Presentations
- 20,000:1 High Native Contrast for Crisp Readability
- 1.1x Zoom Ratio for High Setup Flexibility
- Simple Setup, Intuitive Operation, and Hassle-Free Maintenance
- Eco-Friendly Low Total Cost of Ownership
- BenQ Exclusive Picture Mode For Spreadsheet Contents



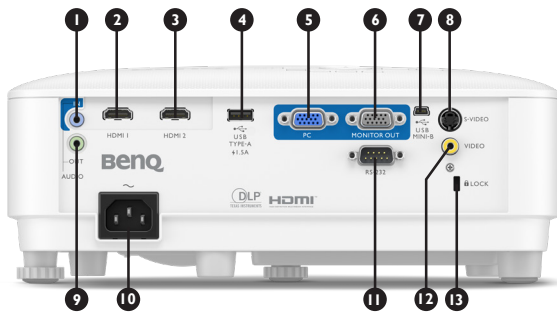
Product Specifications

Projection System	DLP Single
DMD Type	0.65" 1080P
Native Resolution	1920 x 1080 pixels
Brightness	3,800 ANSI Lumens
Contrast Ratio*	20,000 : 1
Display Color	30 Bits / 1.07 Billion Colors
Aspect Ratio	Native 16:9 (5 aspect ratio selectable)
Light Source	Lamp
Light Source life**	Normal 6,000 hr / Economic 10,000 hr / SmartEco 10,000 hr / LampSave 15,000 hr
Throw Ratio	1.49~1.64
Zoom Ratio	1.1 x
Keystone Correction	Auto ID, Vertical +/- 40 degrees
Projection Offset	110.0%
Projection Size	70"~150"
Built-in Speaker	10W x 1
Security	Security Bar, Kensington lock
Feature	1D Auto Keystone, High Brightness, Spreadsheet mode, Bright Mode, Presentation Mode, Infographic Mode, Video Mode, Srgb Mode
Resolution Support	VGA (640 x 480) to WUXGA_RB (1920 x 1200)
Horizontal Frequency	15K~102KHz
Vertical Scan Rate	23~120 Hz
HDTV Compatibility	480i, 480p, 576i, 567p, 720p, 1080i, 1080p
Video Compatibility	NTSC, PAL, SECAM, SDTV (480i/576i), EDTV (480p/576p), HDTV (720p, 1080i/p 60Hz)
Power Consumption	Max 280W / Normal 260W / Eco 215W
Standby Power Consumption	Normal < 0.5W
Power Supply	100 ~ 240V AC
Product Dimensions (W x H x D)	296 x 120 x 221 mm
Product Weight	2.3kg +/- 200g
Noise Level (Normal / Eco)	34 / 29 dBA
Operating Temperature	0 ~ 40°C
Accessories (Standard)	Quick Start Guide (4JJND01.001) Remote Control (5JJND06.001) AAA Battery x 2 VGA Cable (1.5m) Power Cord (1.8m) Warranty Card (by Region)
Accessories (Optional)	Spare Lamp Kit (5JJND05.001) 3D Glasses (5JJ9H25.002) Ceiling Mount Qcast Mirror (5AJH328.10X) WDC10 WDC20
On Screen Display Language	Arabic / Bulgarian / Croatian / Czech / Danish / Dutch / English / Finnish / French / German / Greek / Hindi / Hungarian / Italian / Indonesian / Japanese / Korean / Norwegian / Polish / Portuguese / Romanian / Russian / Simplified Chinese / Spanish / Swedish / Turkish / Thai / Traditional Chinese / Farsi / Vietnamese (30 Languages)

* The Contrast is measure by Full On Full Off standard.

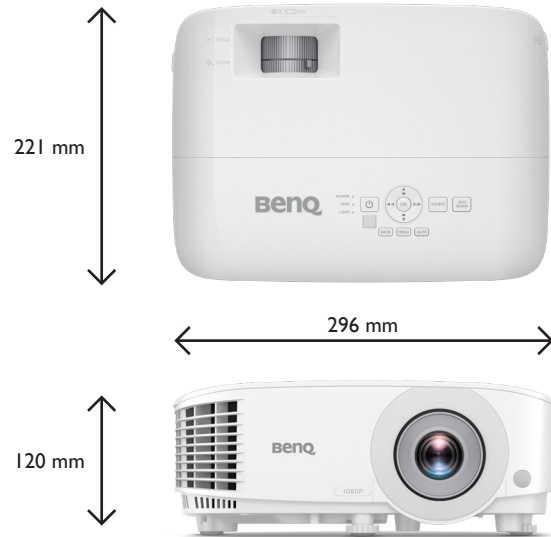
**Light Source life results will vary depending on environmental conditions and usage. Actual product's features and specifications are subject to change without notice.

Input and Output Terminals

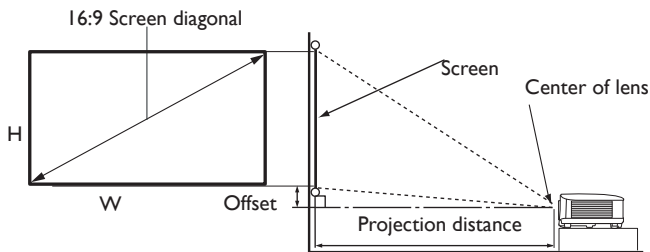


- 1 Audio Input (mini jack)
- 2 HDMI-1
- 3 HDMI-2
- 4 USB Type A (1.5A power)
- 5 Computer Input (D-sub 15pin, Female)
- 6 Monitor Output (D-sub 15pin, Female)
- 7 USB Type mini B (For FW upgrade)
- 8 S-Video
- 9 Audio Output (mini jack)
- 10 AC Power cord inlet
- 11 RS232 Input (D-sub 9pin, male)
- 12 Composite Video (RCA)
- 13 Kensington anti-theft lock slot

Dimensions



Distance Chart

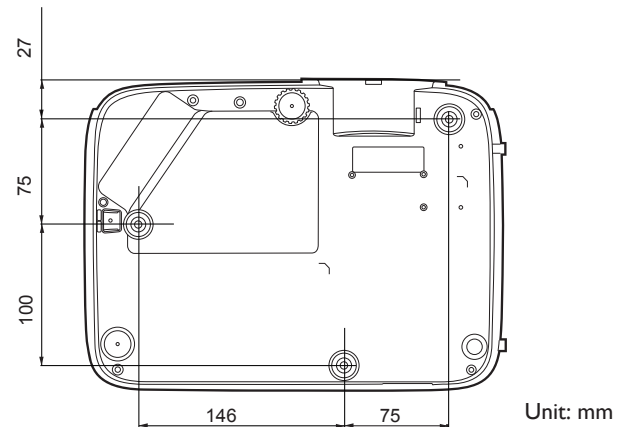


The screen aspect ratio is 16:10 and the projected picture is in a 16:10 aspect ratio

Screen size				Distance from screen (mm)			Offset (mm)
Diagonal		H	W	Min distance (max. zoom)	Average	Max distance (min. zoom)	
inch	mm	(mm)	(mm)				
30	762	374	664	990	1039	1089	30
40	1016	498	886	1319	1386	1452	40
50	1270	623	1107	1649	1732	1815	50
60	1524	747	1328	1979	2079	2178	60
70	1778	872	1550	2309	2425	2541	70
80	2032	996	1771	2639	2772	2905	80
90	2286	1121	1992	2969	3118	3268	90
100	2540	1245	2214	3299	3465	3631	100
110	2794	1370	2435	3628	3811	3994	110
120	3048	1494	2657	3958	4158	4357	120
130	3302	1619	2878	4288	4504	4720	130
140	3556	1743	3099	4618	4850	5083	139
150	3810	1868	3321	4948	5197	5446	149
160	4064	1992	3542	5278	5543	5809	159
170	4318	2117	3763	5608	5890	6172	169
180	4572	2241	3985	5937	6236	6535	179
190	4826	2366	4206	6267	6583	6898	189
200	5080	2491	4428	6597	6929	7261	199
250	6350	3113	5535	8246	8661	9077	249
300	7620	3736	6641	9896	10394	10892	299

Ceiling Mount Chart

Ceiling/Wall mount screw: M4
(Max L = 25 mm; Min L = 20 mm)



Unit: mm

BenQ Europe B.V.

Meerenakkerweg 1-17
5652 AR Eindhoven
The Netherlands
Tel: +31 88 8889200
Fax: +31 88 8889299

BenQ.eu

© 2020 BenQ Corp. Specification may vary by region, please visit your local stores for details.
Actual product's features and specifications are subject to change without notice.
This material may include corporate names and trademarks of third parties which are the properties of the third parties respectively.

