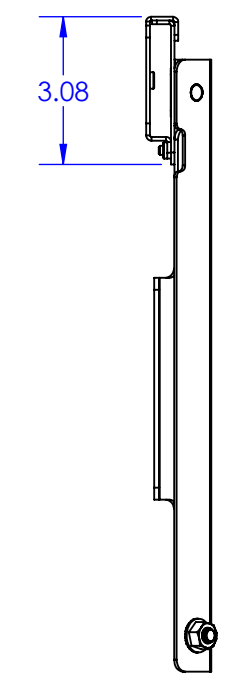
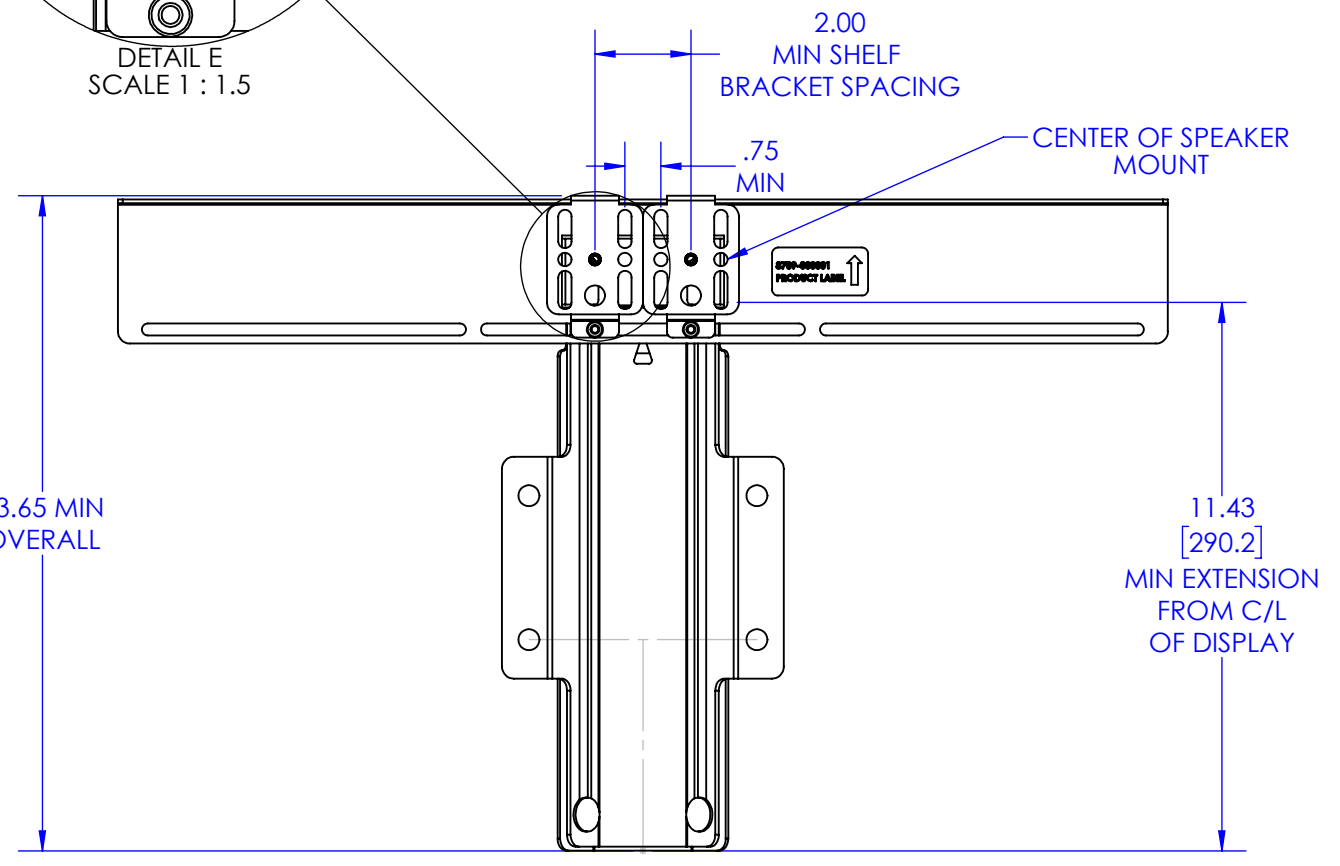
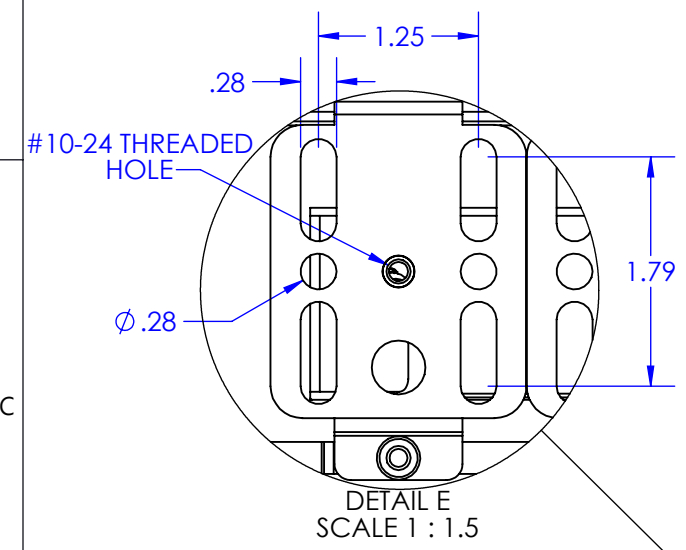
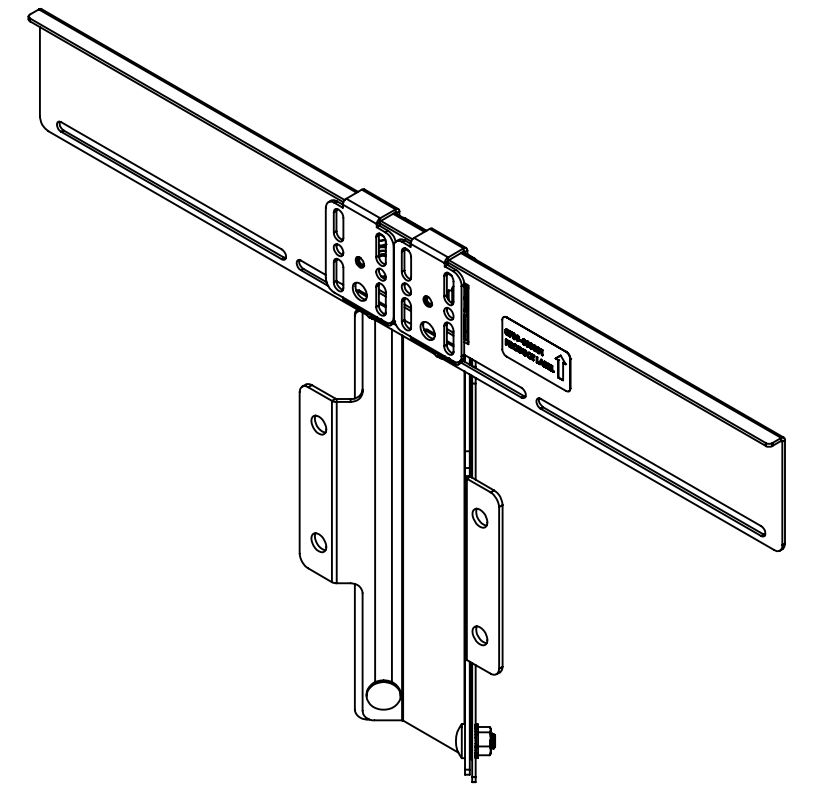
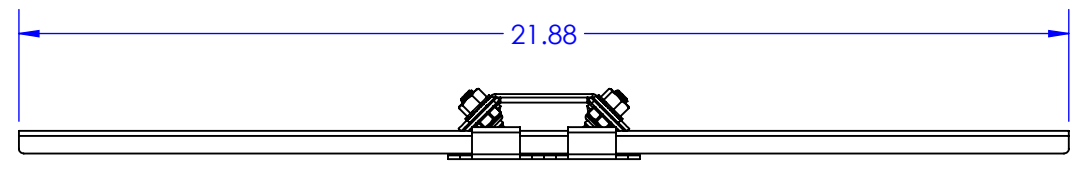


**MOUNT CAN BE USED EITHER ABOVE OR BELOW THE DISPLAY**

THE INFORMATION AND DESIGNS CONTAINED IN THIS DRAWING ARE CONFIDENTIAL AND THE PROPRIETARY PROPERTY OF LEGRAND | AV. NEITHER THIS DESIGN NOR ANY INFORMATION CONTAINED IN THIS DRAWING MAY BE REPRODUCED OR DISCLOSED TO OTHERS WITHOUT THE EXPRESS WRITTEN CONSENT OF LEGRAND | AV.

CAD GENERATED DRAWING, DO NOT MANUALLY UPDATE.				6436 CITY WEST PKWY EDEN PRAIRIE MN, 55344 PHONE: 866-977-3901 FAX: 877-894-6918	
DRAWN BY	JL	4/26/2021	DESCRIPTION		
ENG APPROVAL			SCAS TECH DRAWING		
MFG APPROVAL			MODEL NO.		
QA APPROVAL			SCAS		
SHEET 1 OF 2		SCALE	SIZE	DWG. NO.	REV.
		1:4	B	TECH-001110	00



SHOWN WITHOUT SHELF BRACKET FOR CLARITY

MOUNT CAN BE USED EITHER ABOVE OR BELOW THE DISPLAY

THE INFORMATION AND DESIGNS CONTAINED IN THIS DRAWING ARE CONFIDENTIAL AND THE PROPRIETARY PROPERTY OF LEGRAND | AV. NEITHER THIS DESIGN NOR ANY INFORMATION CONTAINED IN THIS DRAWING MAY BE REPRODUCED OR DISCLOSED TO OTHERS WITHOUT THE EXPRESS WRITTEN CONSENT OF LEGRAND | AV.

CAD GENERATED DRAWING, DO NOT MANUALLY UPDATE.					6436 CITY WEST PKWY EDEN PRAIRIE MN, 55344 PHONE: 866-977-3901 FAX: 877-894-6918	
DRAWN BY	JL	4/26/2021	DESCRIPTION			
ENG APPROVAL			SCAS TECH DRAWING			
MFG APPROVAL			MODEL NO.			
QA APPROVAL			SCAS			
SHEET 2 OF 2		SCALE	SIZE	DWG. NO.	REV.	
		1:4	B	TECH-001110	00	