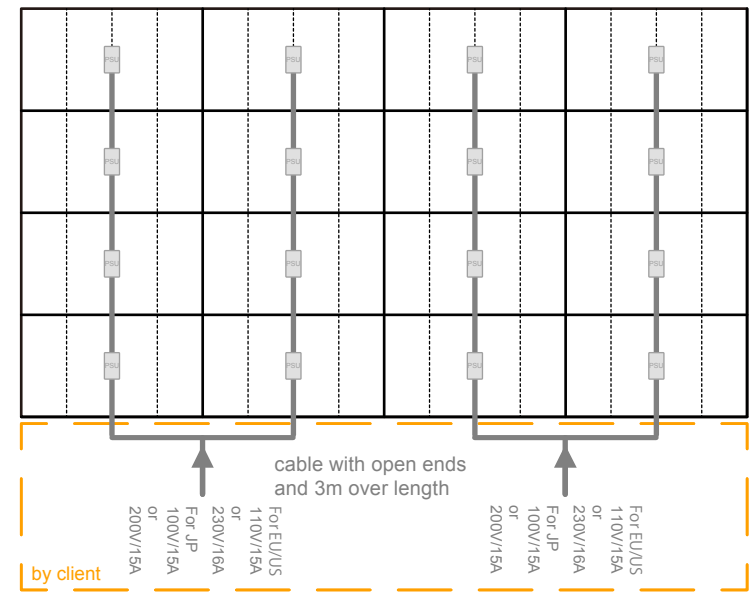
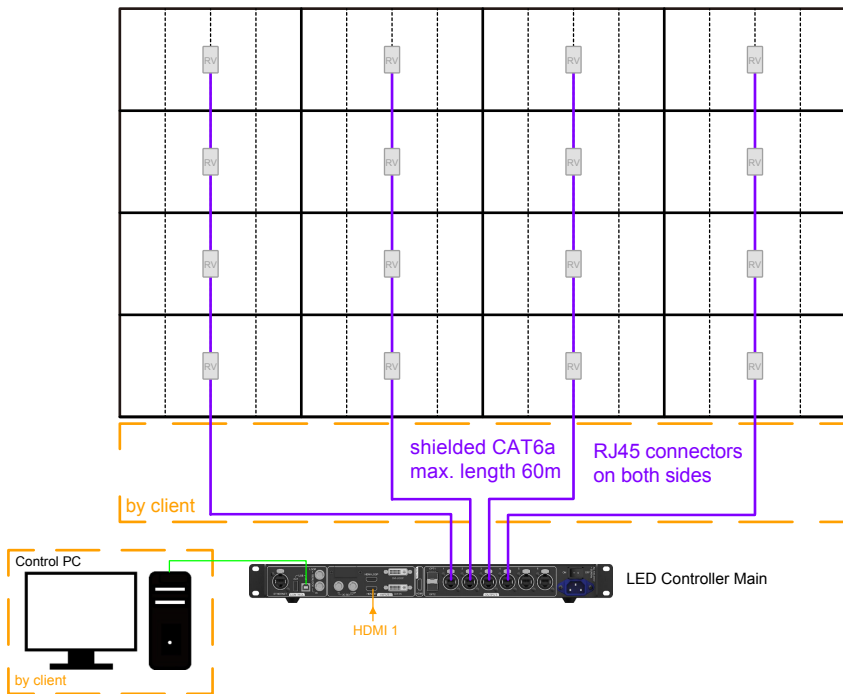


E012i-108" 5x5 1,2mm 1920 x 1080



The 15A(US) or 16A (EU) circuit breaker for the each power feed must have a european D characteristic or similar. (can hold for a short term 20times the tripping current)

If you have to use a residual current circuit breaker in the main power feed, you have to use for each feed a separate residual current circuit breaker.

Property of Sharp NEC Display Solutions, Ltd. Without our permission copying, using and transferring of this document to third parties is prohibited. All rights reserved!						scale : - - -	plan no. : Version 1
						E012i-108 "	
						data & power cabling	
index	modification	created date	created name	verify date	verify name		
<b>SHARP / NEC</b>						dvLED Global Engineering Department VaaS Business Division Sharp NEC Display Solutions, Ltd.	
						sheet no.:1	sheets :1