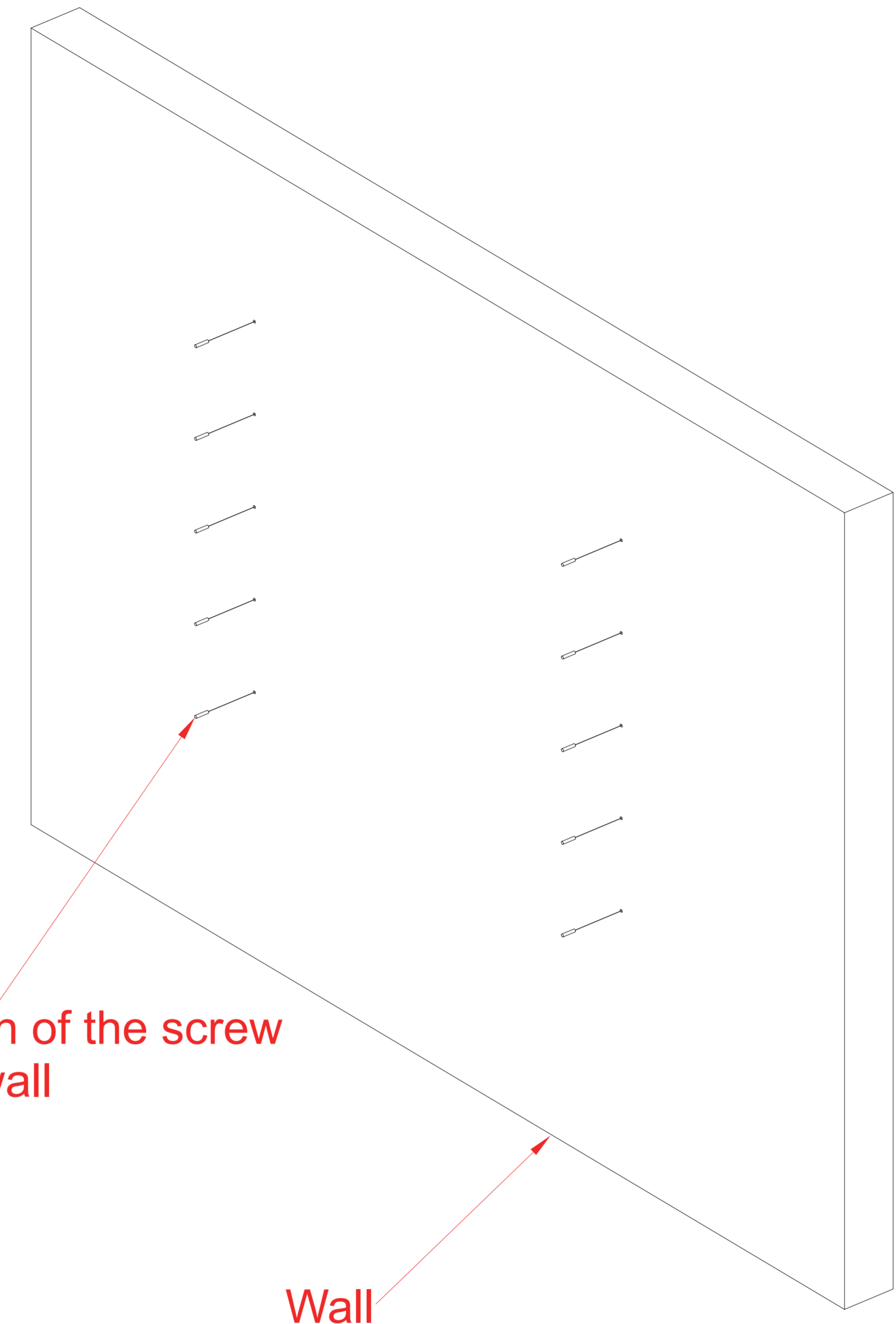


10-M10 Expansion of the screw  
Wall punch size



PROJECT: TITLE

E 5\*5 LED display

REVISIONS:

REV 1                      REV 2

REV 3                      REV 4

REV 5                      REV 6

APPROVED

VERIFEID

CHECKED

DESIGNER

DRAWN

SCALE    1:1

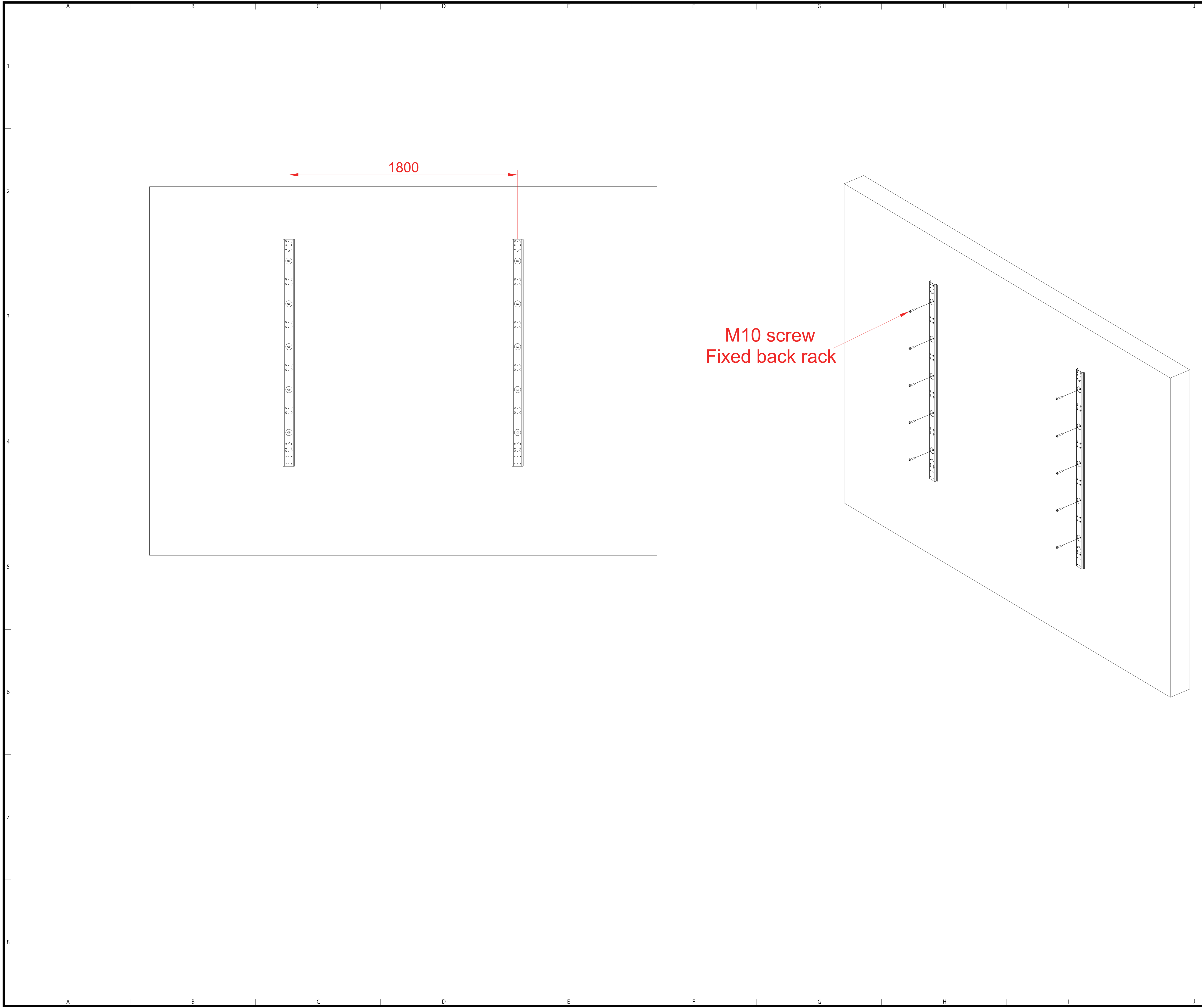
DATE      2021.03.29

This drawing is copyright  
Contractors shall work from figured dimensions only  
Contractors must check all dimensions on site  
Contractors must be reported immediately to architects

PROJECT INFO.

MODULE.

PROJECT No.



PROJECT: TITLE

# E 5\*5 LED display

REVISIONS:

REV 1                      REV 2

REV 3                      REV 4

REV 5                      REV 6

APPROVED

VERIFEID

CHECKED

DESIGNER

DRAWN

SCALE    1:1

DATE      2021.03.29

This drawing is copyright  
Contractors shall work from figured dimensions only  
Contractors must check all dimensions on site  
Contractors must be reported immediately to architects

PROJECT INFO.

MODULE.

PROJECT No.

Bottom beam  
Front

KM4screw  
fixed  
front  
bottom  
beam

KM3 fixed  
angle  
block

Bottom beam finished product

Bottom beam

M5 screw

PROJECT: TITLE

E 5\*5 LED display

REVISIONS:

REV 1            REV 2

REV 3            REV 4

REV 5            REV 6

APPROVED

VERIFEID

CHECKED

DESIGNER

DRAWN

SCALE    1:1

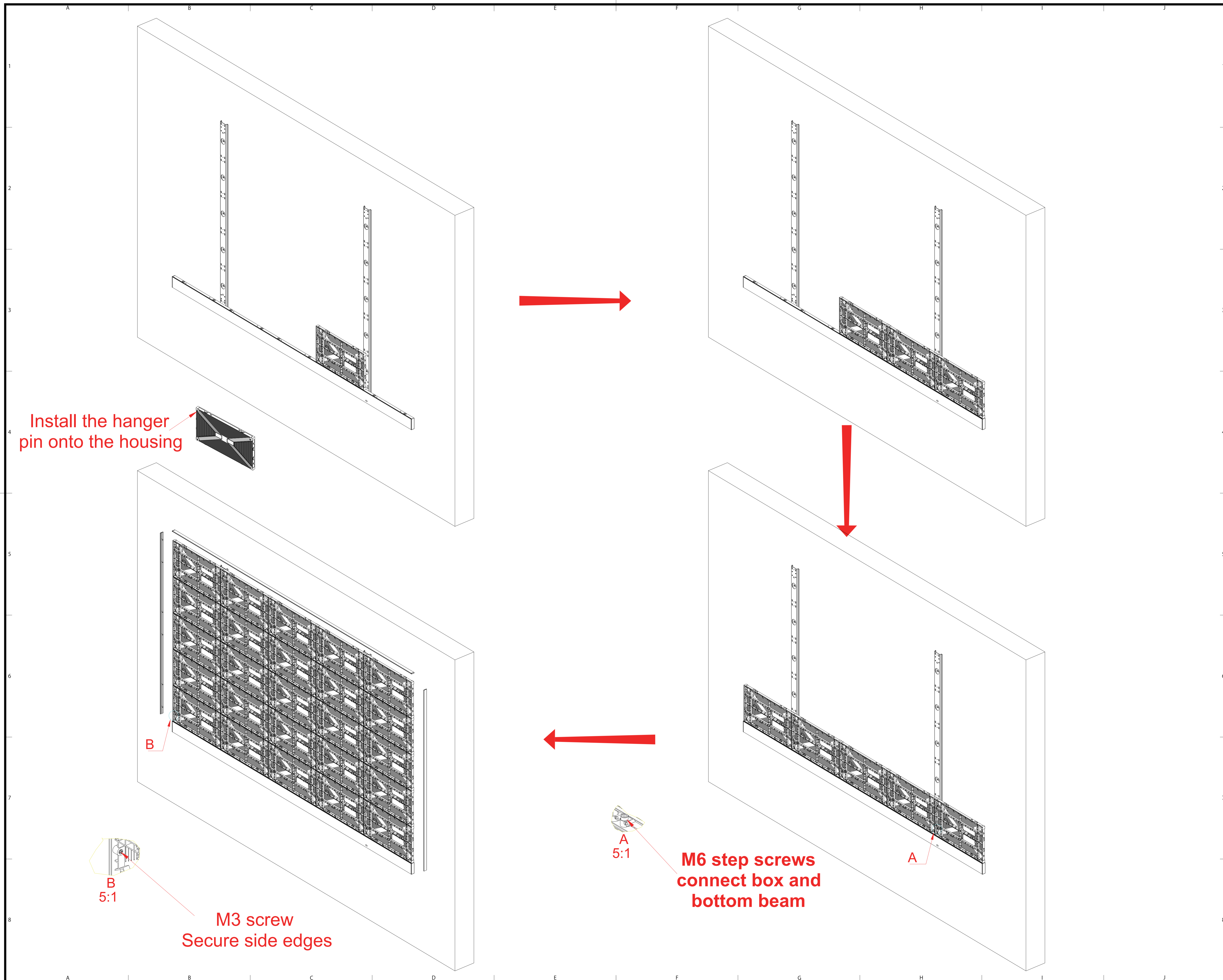
DATE      2021.03.29

This drawing is copyright  
Contractors shall work from figured dimensions only  
Contractors must check all dimensions on site  
Contractors must be reported immediately to architects

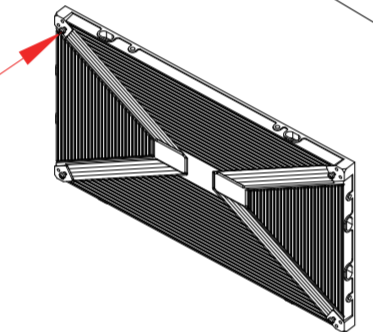
PROJECT INFO.

MODULE.

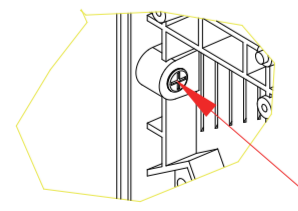
PROJECT No.



Install the hanger pin onto the housing



B



B  
5:1

M3 screw  
Secure side edges

A  
5:1

M6 step screws  
connect box and  
bottom beam

A

PROJECT: TITLE

E 5\*5 LED display

REVISIONS:

REV 1      REV 2

REV 3      REV 4

REV 5      REV 6

APPROVED

VERIFIED

CHECKED

DESIGNER

DRAWN

SCALE 1:1

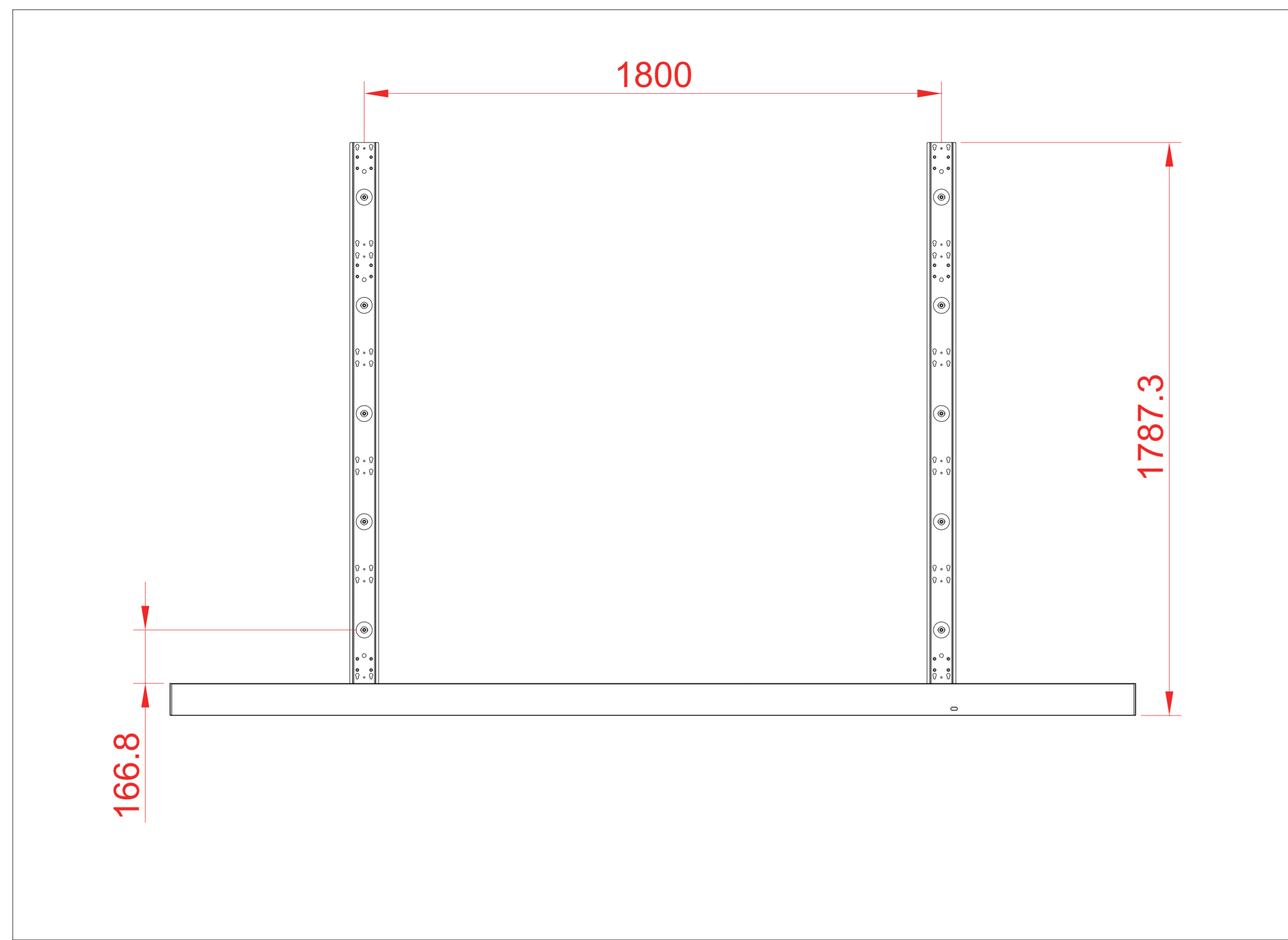
DATE 2021.03.29

This drawing is copyright  
Contractors shall work from figured dimensions only  
Contractors must check all dimensions on site  
Contractors must be reported immediately to architects

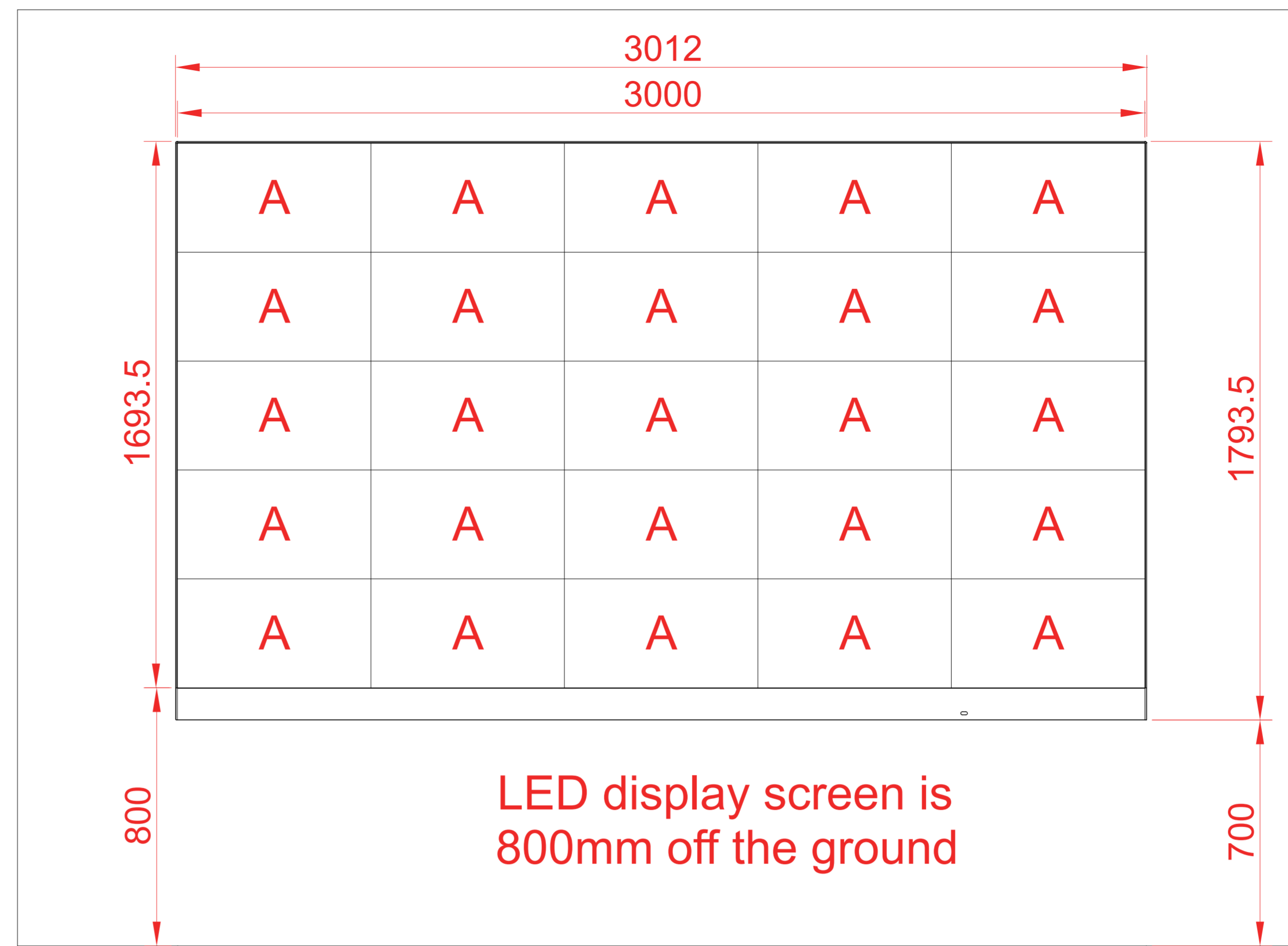
PROJECT INFO.

MODULE.

PROJECT No.

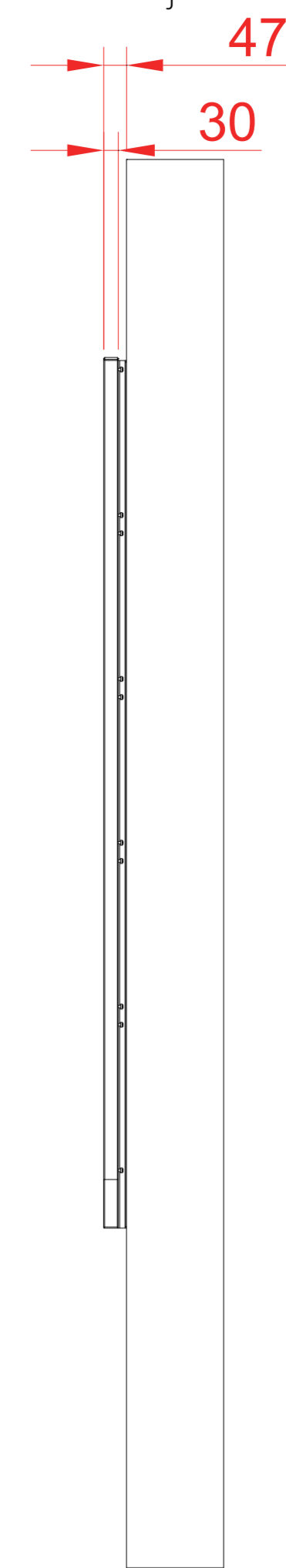


Front View

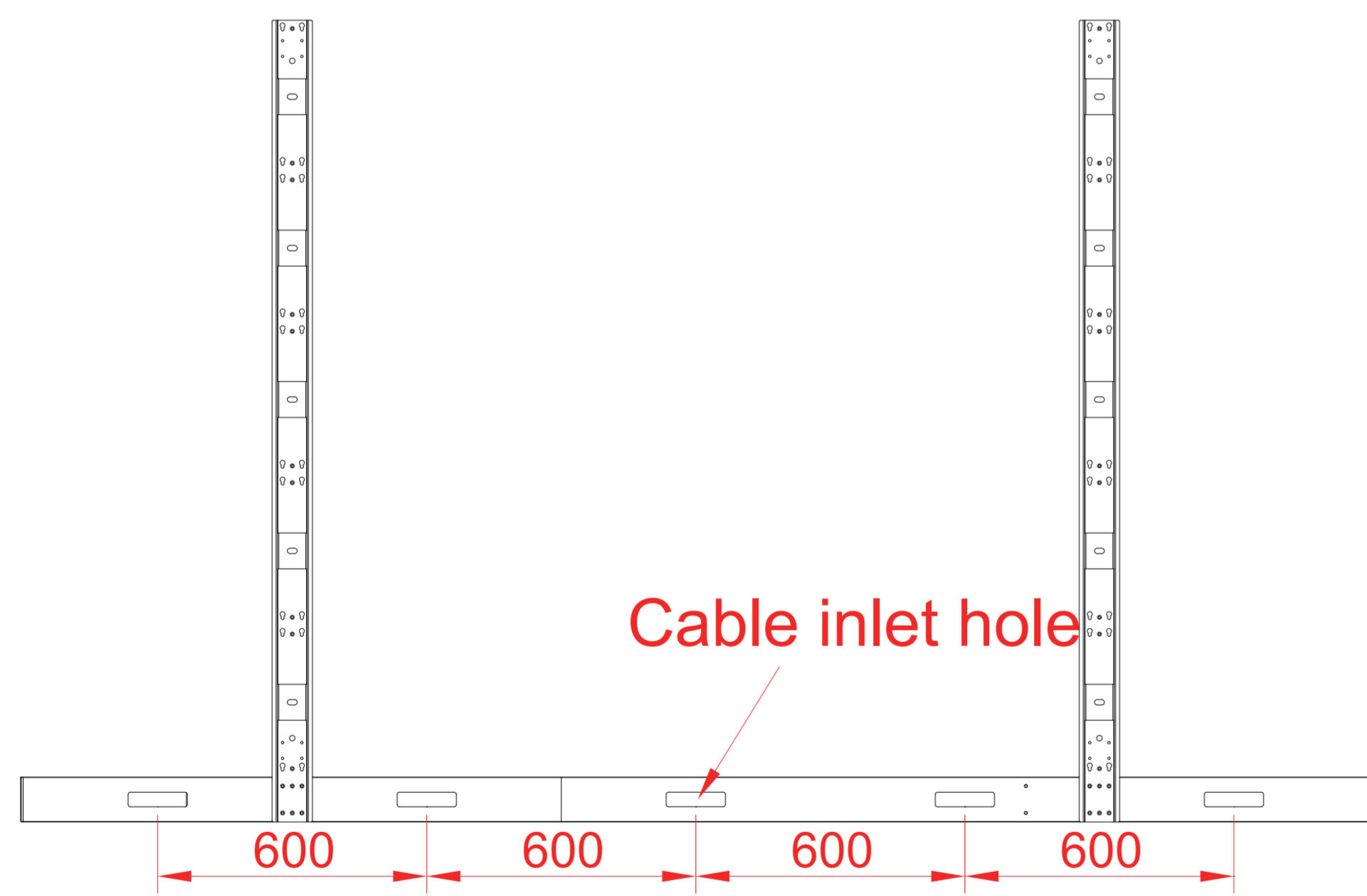


LED display screen is 800mm off the ground

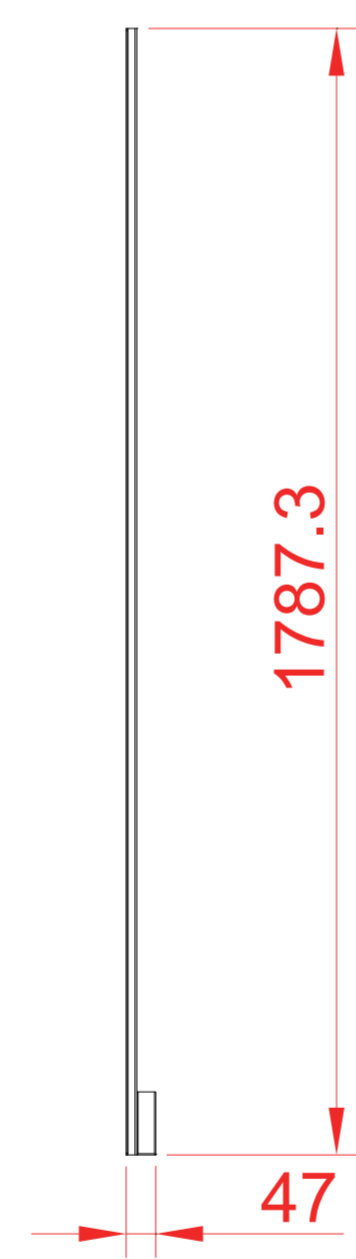
Front View



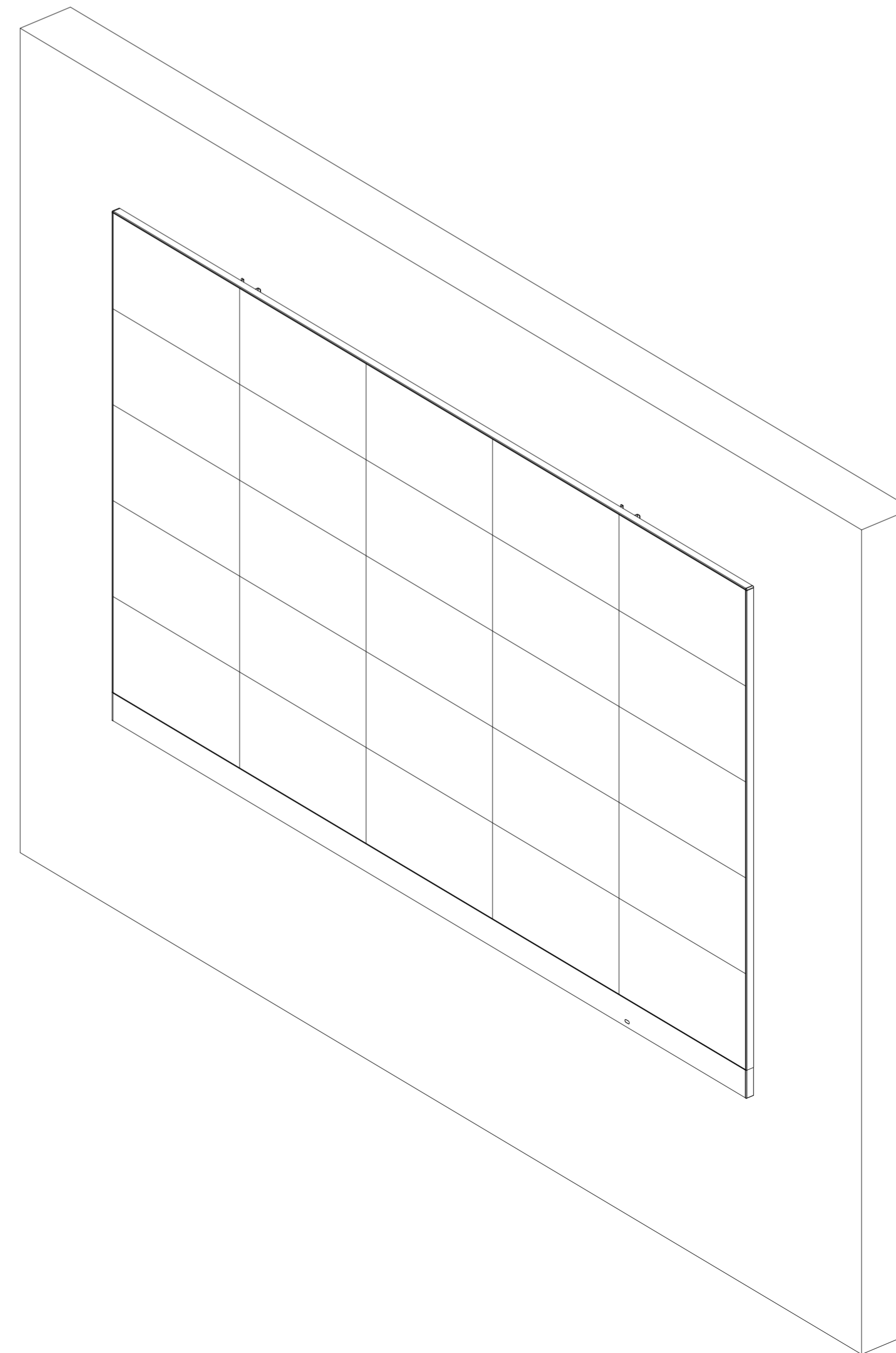
Side View



Back View



Side View



PROJECT: TITLE

E 5\*5 LED display

REVISIONS:

REV 1                  REV 2

REV 3                  REV 4

REV 5                  REV 6

APPROVED

VERIFIED

CHECKED

DESIGNER

DRAWN

SCALE    1:1

DATE      2021.03.29

This drawing is copyright  
Contractors shall work from figured dimensions only  
Contractors must check all dimensions on site  
Contractors must be reported immediately to architects

PROJECT INFO.

MODULE.

PROJECT No.