



DESCRIPTION

LED illuminator for ULISSE EVO, wavelength available 850nm, 940nm and white light.

TECHNICAL DATA

GENERAL

Wavelength: 850nm, 940nm (UEIxxx only), white light

UEIxxx

- Wide beam: 40° (horizontal), 16° (vertical)
- Spot beam: 14° (horizontal), 14° (vertical)

UEIxxxP

- Wide beam: 13° (horizontal), 13° (vertical)
- Spot beam: 13° (horizontal), 13° (vertical)

Wide beam activation: based on the scene brightness, from alarm input or manually

Spot beam activation (can be activated only when the wide beam is active): can be activated on preset, based on the zoom factor or with the wide beam

Automatic and remote switching on

No calibration required for light beam alignment with the camera

The illuminator does not slow down the P&T's rotation speed

Automatic recognition of the type of illuminator installed

MECHANICAL

Die cast aluminum body

Dimensions (WxHxL): 97x53x54mm (3.8x2x2.1in)

Unit weight: 0.25kg (0.55lb)

ELECTRICAL

Power consumption: 13W

PART NUMBER

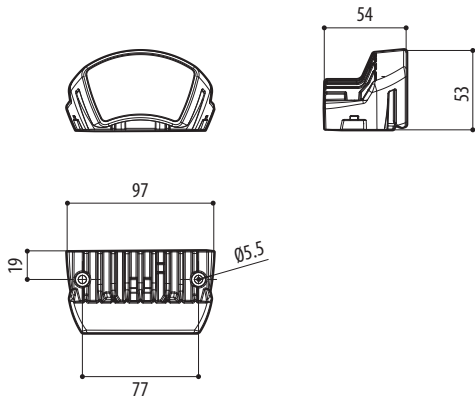
UEI8AA	IR illuminator 850nm with uniform lighting for short and long distances up to 175m (574ft) for ULISSE EVO grey-white colour (RAL9002)
UEI8AAP	IR illuminator 850nm for long distance lighting up to 270m (885ft) for ULISSE EVO grey-white colour (RAL9002)
UEI8FA	IR illuminator 850nm with uniform lighting for short and long distances up to 175m (574ft) for ULISSE EVO black colour (RAL9005)
UEI8FAP	IR illuminator 850nm for long distance lighting up to 270m (885ft) for ULISSE EVO black colour (RAL9005)
UEI9AA	IR illuminator 940nm with uniform lighting for short and long distances up to 100m (328ft) for ULISSE EVO grey-white colour (RAL9002)
UEI9FA	IR illuminator 940nm with uniform lighting for short and long distances up to 100m (328ft) for ULISSE EVO black colour (RAL9005)
UEIWAA	White light illuminator with uniform lighting for short and long distances up to 175m (574ft) for ULISSE EVO grey-white colour (RAL9002)
UEIWAAP	White light illuminator for long distance lighting up to 270m (885ft) for ULISSE EVO grey-white colour (RAL9002)
UEIWFA	White light illuminator with uniform lighting for short and long distances up to 175m (574ft) for ULISSE EVO black colour (RAL9005)
UEIWFAP	White light illuminator for long distance lighting up to 270m (885ft) for ULISSE EVO black colour (RAL9005)

PACKAGE

Model Number	Weight	Dimensions (WxHxL)	Master carton
UEIxxx	0.4kg (0,9lb)	9.5x13x19.5cm (3.7x5x7.7in)	-

TECHNICAL DRAWINGS

The indicated measurements are expressed in millimetres.



UEI