

WATT BOX[®]

WB-800I-IPVM-6



Quick Start Guide

Important Safety Instructions

Read and observe the following safety points at all times.

Notice

For indoor user only. Internal components are not sealed from the environment. The device can only be used in a fixed location such as a telecommunication centre, or a dedicated computer room. When you install the device, ensure that the protective earthing connection of the socket-outlet is verified by a skilled person. Suitable for installation in Information Technology Rooms in accordance with Article 645 of the National Electrical Code and NFPA 75.

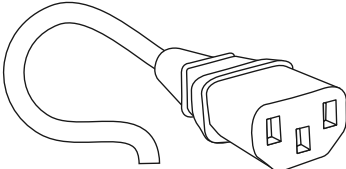
Only use brackets/attachments/accessories specified by the manufacturer.

Do not place the device in an unstable position where it might fall and cause injuries. This equipment is not suitable for use in locations where children are likely to be present.

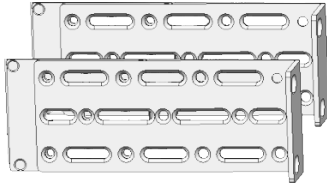
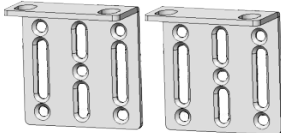
Do not cover this device with a cloth. Do not install it on a carpet or rug.

Package Contents

This package contains:



Removable, region-specific power cord



Rack ears (2 short, 2 long)



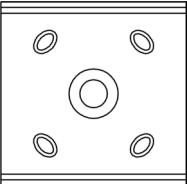
Power strip



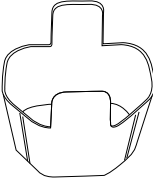
#10 x 12.5mm clip screws (2)



Nuts (2)



Mounting clips (2)

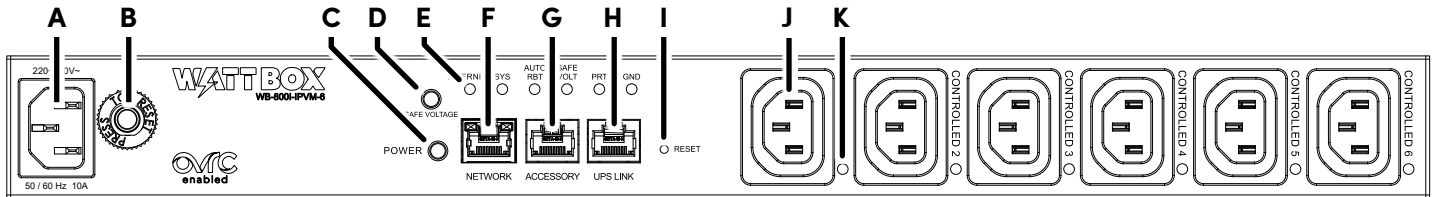


IEC sleeve (1)



Rack ear screws (8)

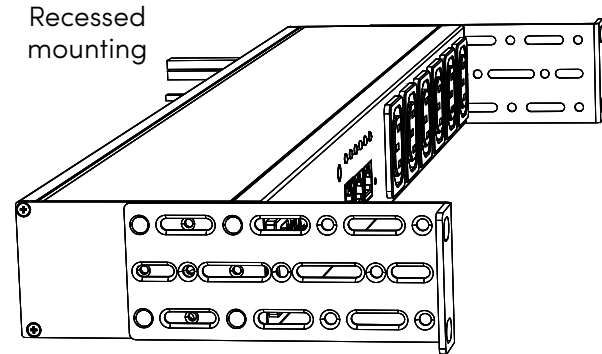
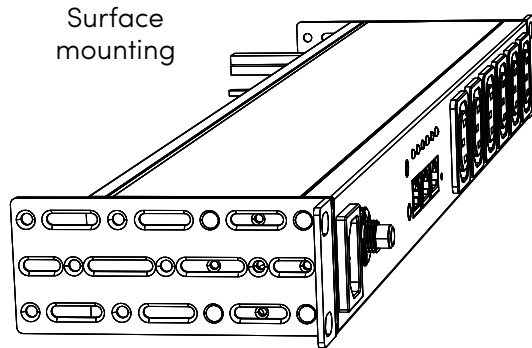
Front Panel



- A. Power Inlet:** For a 3-prong IEC power cord.
- B. Circuit Breaker Reset Button:** Press this button to restart the WattBox after an overload.
- C. AC Power Switch:** Press to manually toggle the outlets on or off. This glows with an amber light when the unit is powered.
- D. Safe Voltage Button:** Toggles the **Safe Voltage** feature on and off, which protects your gear using normalized power flow. The LED is illuminated when **Safe Voltage** is on.
- E. Indicator LEDs:** See the system status, Internet activity, auto reboot, safe voltage, surge protection, and grounding (see page 11).
- F. Network Connection:** Connect to the Local Area Network (LAN) for IP control and monitoring.
- G. Accessory Port:** For connection to WattBox accessories.
- H. UPS Link:** For connection to a WattBox UPS unit (for future use).
- I. Reset Button:** Use a thin tool (paper clip, toothpick) to press this to restart the network card (no settings are changed). Press and hold 5 seconds to set the power strip to DHCP. Press and hold for 10 seconds to reset the power strip to factory default.
- J. Controllable Outlets:** All outlets are switchable (IP controlled).
- K. Power Indicators:** These illuminate when power to the matching outlet is on.

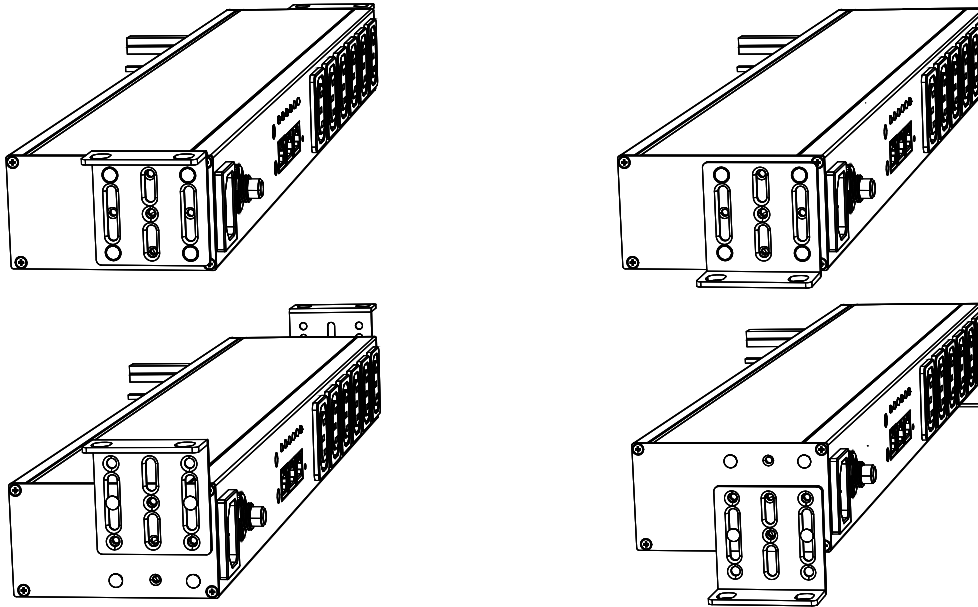
Rack Ear Mounting Options

The long rack ears allow you to mount the unit at varying depths within the rack, as shown here.



Rack Ear Mounting Options

The rack ears can be used to mount the power strip in several arrangements other than on the rack. You can mount it under a counter or shelf (below left), on top of a table (below right), or against the wall (not shown). With each of these options, you can choose to mount it flush to the surface (bottom) or displaced (top). In addition, you can mount the unit at angled increments of 45°. See our website for examples.



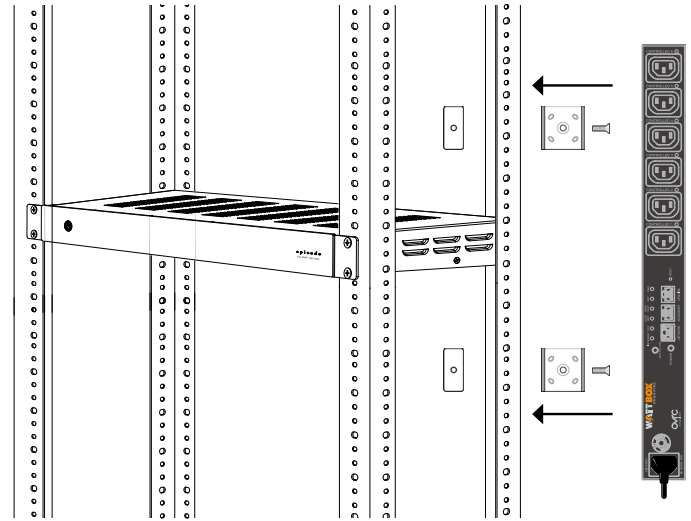
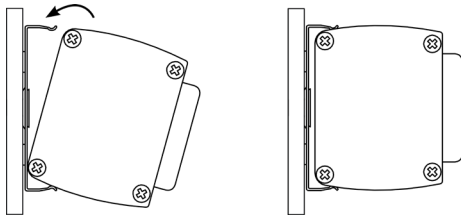
Rack Mount with Clips

This can be mounted vertically on the outside of one rail of a rack.

Using the nuts and screws provided, install the mounting brackets (with the clips oriented as shown at right) on the outside of one rack rail. Place the clips 76mm (3") – 102mm (4") from each end of the power strip.

Mount the Strip

Align the power strip with the inside of one edge of the mounting bracket. Apply pressure and rotate until the units snaps into place.

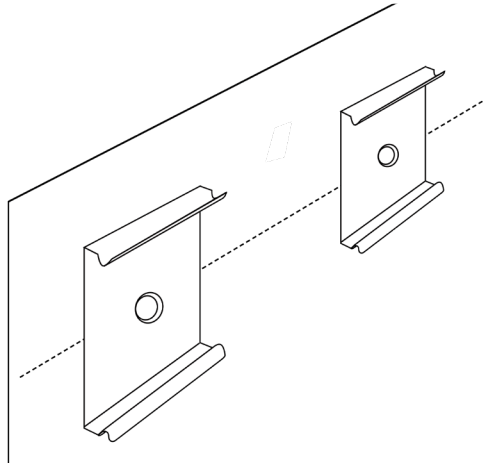


Wall Mount with Clips

This unit can also be mounted on a wall, either vertically or horizontally.

Draw a level or plumb line. Using wall anchors or other appropriate hardware (not provided), attach the mounting brackets (clips oriented as shown) centered on the level or plumb line, so that the clips are 76mm (3") – 120mm (4") from each end of the power strip. For the greatest stability and safety, we recommend you mount the brackets to studs wherever possible.

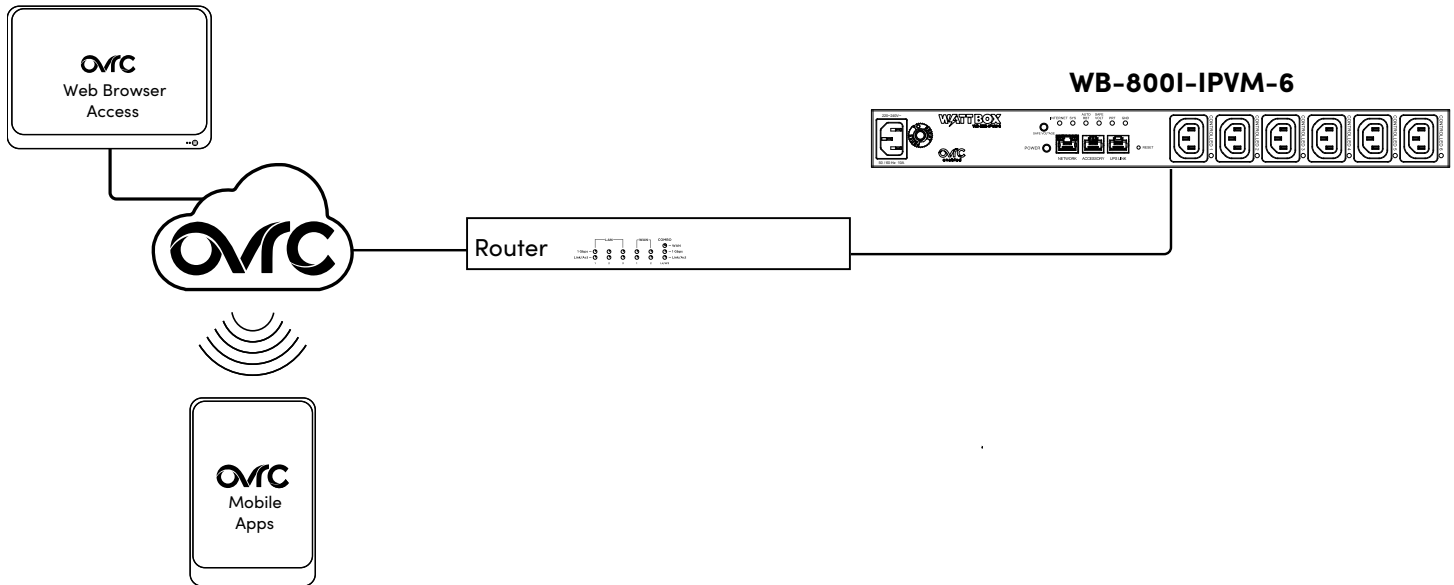
Next, insert the unit as described in **Mount the Strip**, on the previous page.



Connections and setup

If you desire OvrC connectivity, plug a network cable from your router or switch into the network port.

Plug in the IEC power cord. To prevent an accidental disconnect, insert the included IEC sleeve before plugging in the power cord.



Claiming the WattBox on OvrC

The WB-800I has many powerful features that are accessed through OvrC, our award-winning remote management tool.

If you are not familiar with OvrC, visit snp1.co/ovrc to learn more.

Finishing Setup with OvrC

1. Ensure the WB-800I is connected to the internet via your router or network switch.
2. Log in to your OvrC account.
3. Add the WB-800I by entering its MAC address and service tag (ST) number.

You can now complete setup through OvrC. Ensure your firmware is up to date, schedule automatic reboots, set up power-on delays, etc.

LED Indicators

The bank of six LED indicator lights give you key information about the health of your system.

Internet	Green (Solid)	All sites / IP addresses are communicating with the WattBox
	Green (Flashing)	At least one (not all) sites / IP addresses are communicating with the WattBox
	Red	None of the sites / IP addresses are communicating with the WattBox.
System Status	Green (Solid)	WattBox processor is in an operating state and can be accessed via the WattBox interface
	Red (Flashing)	Firmware for the WattBox processor is being updated, during this state the WattBox cannot be accessed via the WattBox interface.
Auto Reboot	Green	Auto reboot is enabled. WattBox will power cycle outlets that are ON when communication with the assigned Website/IP Address is lost. Note: Outlets that are OFF will not power cycle.
	Off	Auto Reboot is disabled. No power cycle will occur when communication with the assigned Website/IP Address is lost.
Safe Voltage	Green	Safe voltage is enabled. The current incoming AC voltage is safe for operation.
	Red	Safe voltage is enabled, but the incoming AC voltage is not safe. Outlets have been turned off to protect the equipment.
	Off	Safe voltage is disabled.
Surge Protected	Green	The WattBox is powered on and outlets are protected.
	Off	The WattBox is not powered on or the MOVs have opened removing power from the outlets.
Grounded	Green	Incoming AC outlet is grounded.
	Off	Incoming AC outlet is not grounded and requires inspection by an electrician.

Troubleshooting

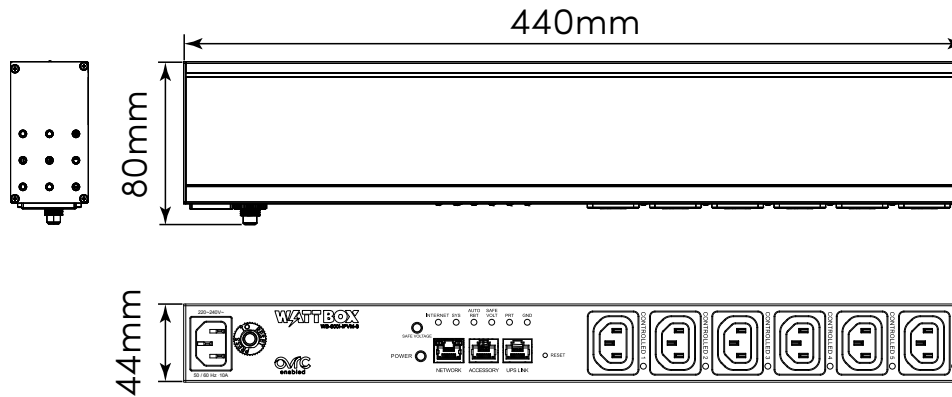
Symptom	Possible Cause	Remedy
WattBox is not receiving power (the System Status LED is not illuminated).	WattBox is not turned on.	If the WattBox power button does not show amber, press it.
	No power is being supplied.	Make sure the AC power plug is plugged into a properly grounded 220 – 240V (nominal) wall outlet. Some outlets are controlled by a wall switch. Try flipping the switches in the room, especially those near the wall outlet. Also check the location's circuit breakers.
	Too many devices are connected, causing an overload, and tripping the WattBox's internal circuit breaker.	Press the circuit breaker reset button. Allow 10 minutes before attempting to reset, otherwise the reset will fail. If the circuit breaker continues to trip, move one or more components to another WattBox.
The attached component is not receiving power from the WattBox.	Component is plugged into a controlled outlet and the outlet is off.	Log in to the WattBox interface to turn the outlet on.
	In some instances, a component plugged into a switched outlet won't automatically power itself up when the WattBox is turned on.	Turn the component power on.
Speakers emit a humming or buzzing noise.	WattBox is sharing AC power with equipment that is not properly grounded.	Connect WattBox to a dedicated outlet. Unplug different components from WattBox one at a time to see if the noise stops.
	The speakers are sharing a filter with noisy gear.	Move the power cords for the speakers (or the noisy components) to a different outlet filter bank.

Specifications

Outlet Type	IEC 60320 C13
Number of Outlets	6
Number of IP Controllable Outlets	6
Line Voltage	220–240VAC, 50/60Hz
AC Input Connection	IEC 60320 C14
Fuse Rating	10A, 250VAC
Power Rating	2400W
Voltage Protection Rating	L-N 1.1kV, L-E 2.1kV, N-E 1.8kV
Joule Rating	1260J
Surge Component	Metal Oxide Varistor (MOV)
Protection Modes	L-N, L-E, N-E
Peak Impulse Current	45kA
Disconnect Circuitry	Yes
Thermal Fuse	Yes
EMI/RFI Noise Filtration	n/a

Outlet Filter	n/a
Operating Temperature Range	-10 °C to 40 °C (-14 °F to 104 °F)
Certifications	CE Certified, RCM Certified, CB Safety Certified
Dimensions, Product (WxHxD)	440mm (17.32") × 44mm (1.73") × 80mm (3.15")
Dimensions, Gift Box (WxHxD)	506mm (19.92") × 153mm (6.02") × 75mm (2.95")

Dimensions



Logging in to the Web Interface

You need to enter the username and password to access the web interface. The default entries are below; be sure to change these to maintain proper security (and log them below).

	Default	Custom
Username	<i>wattbox</i>	
Password	<i>wattbox</i>	

Note: The new password cannot exceed 15 characters.

Technical Support

For chat and telephone, visit snp1.co/techsupport • Email: TechSupport@SnapOne.com. Visit snp1.co/tc for discussions, instructional videos, news, and more.

Warranty and Legal Notices

Find details of the product's Limited Warranty at snapone.com/legal/ or request a paper copy from Customer Service at **866.424.4489**. Find other legal resources, such as regulatory notices and patent and safety information, at snapone.com/legal/.

Copyright ©2022, Snap One, LLC. All rights reserved. Snap One its respective logos are registered trademarks or trademarks of Snap One, LLC (formerly known as Wirepath Home Systems, LLC), in the United States and/or other countries. 4Store, 4Sight, Control4, Control4 My Home, SnapAV and WattBox are also registered trademarks or trademarks of Snap One, LLC. Other names and brands may be claimed as the property of their respective owners. Snap One makes no claim that the information contained herein covers all installation scenarios and contingencies, or product use risks. Information within this specification subject to change without notice. All specifications subject to change without notice.

Version 221102

200-WB-800I-IPVM-6-001-A