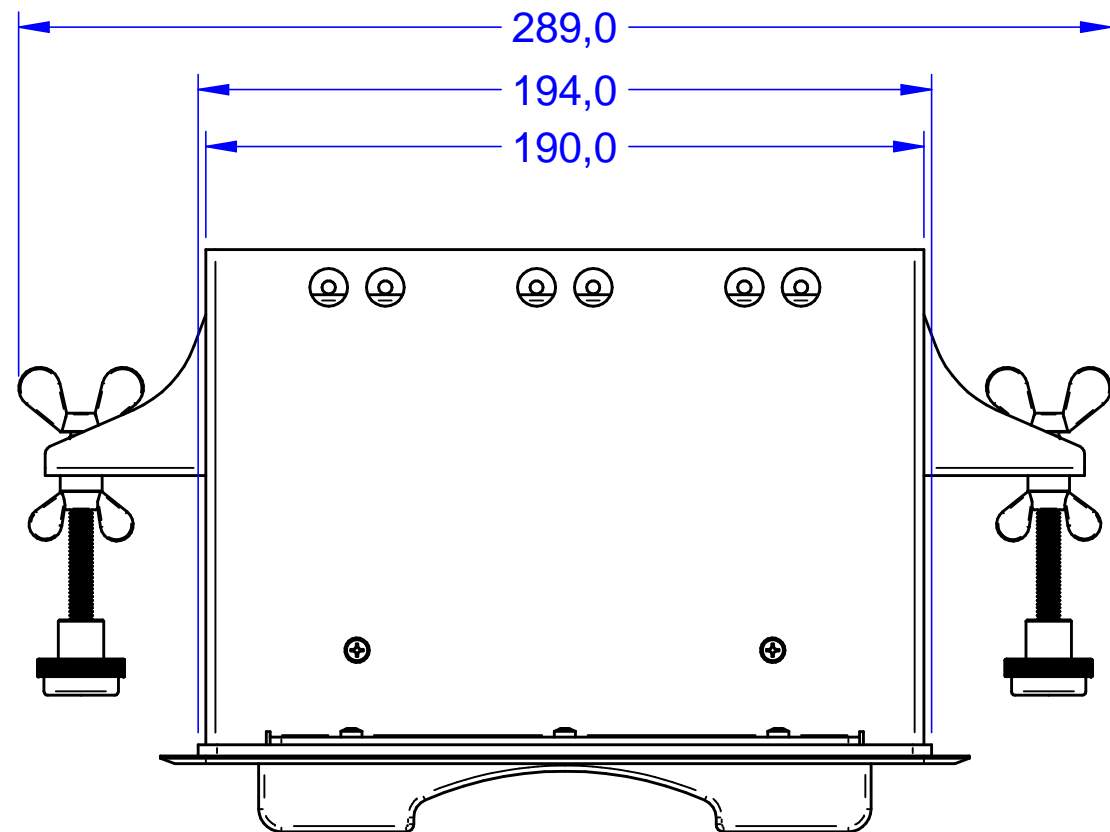
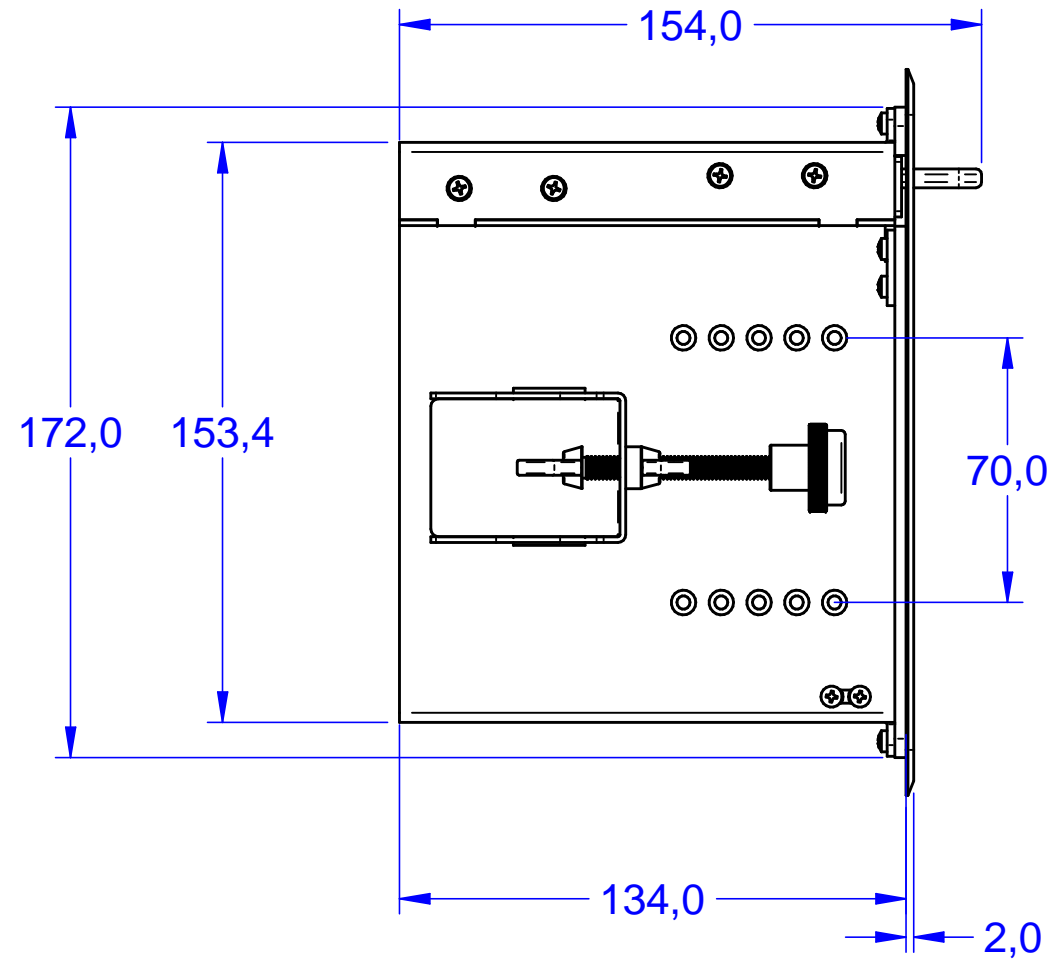
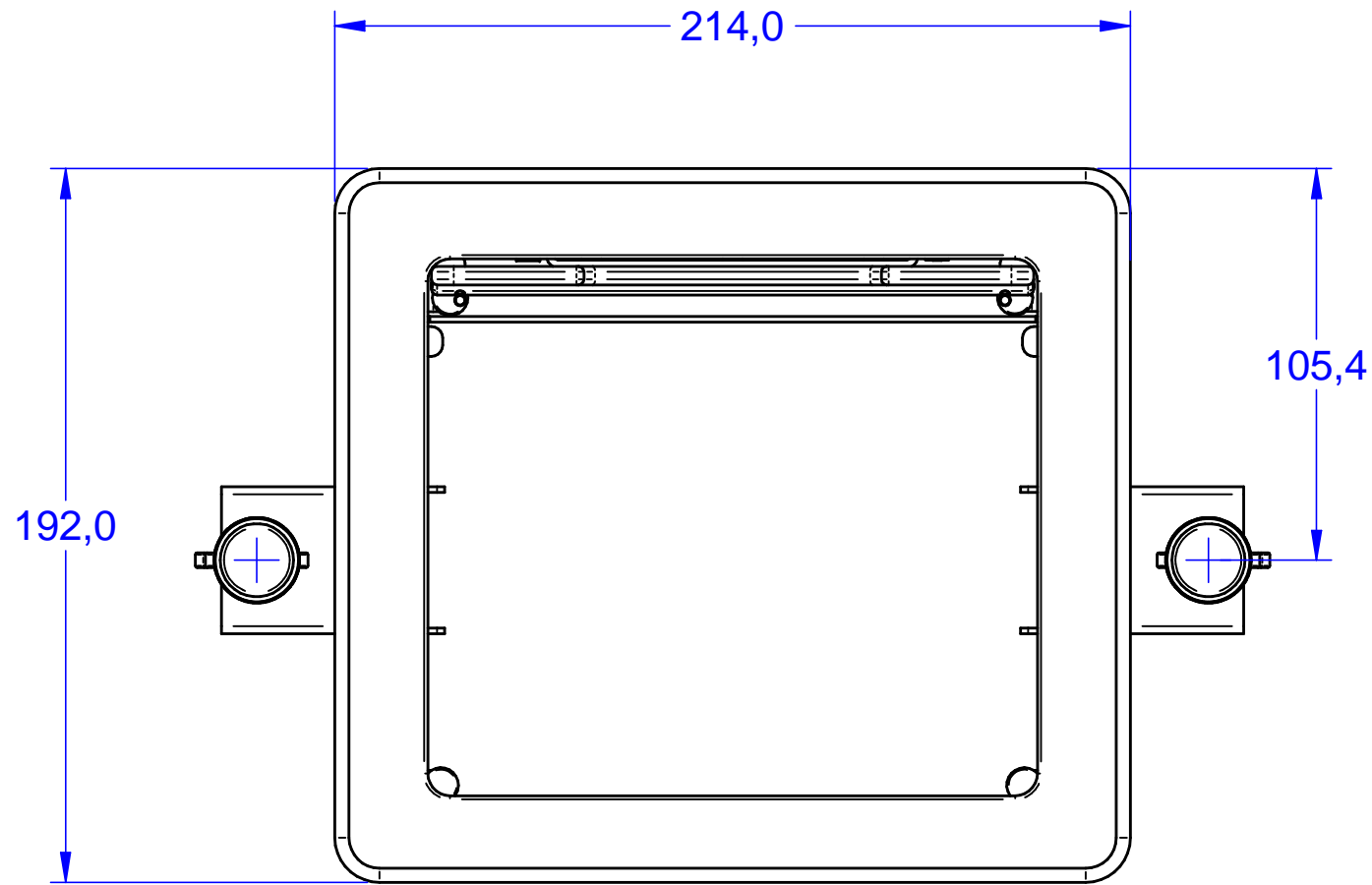

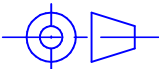


REV.	DESCRIPTION	ECO NO.	UPDATE BY	DATE	APPROVED
A	DRAWING RELEASE	012476	ARKADY	01/05/17	RADU N.



	NAME	DATE	 <b>KRAMER ELECTRONICS LTD.</b> JERUSALEM, ISRAEL	
DRAWN	ARKADY	01/05/17		
APPROVED	RADU N.	01/05/17		
Project : <b>TBUS-1N</b>			<b>KRAMER DRW.:</b> OL000131	REV. <b>A</b>