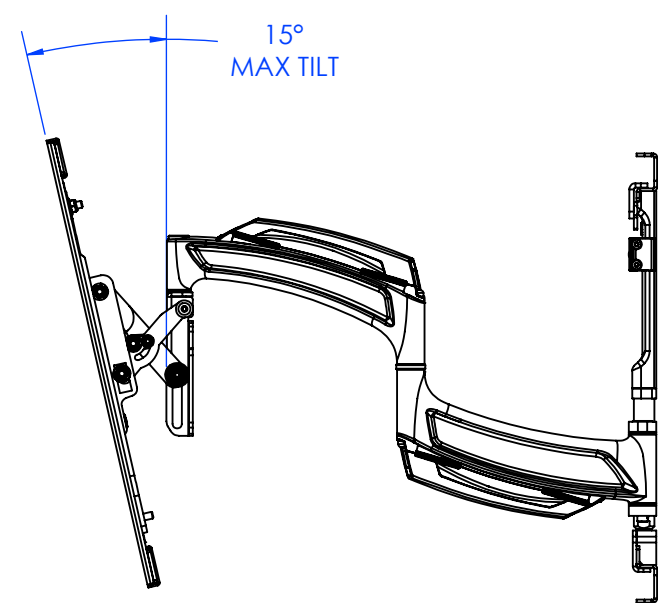
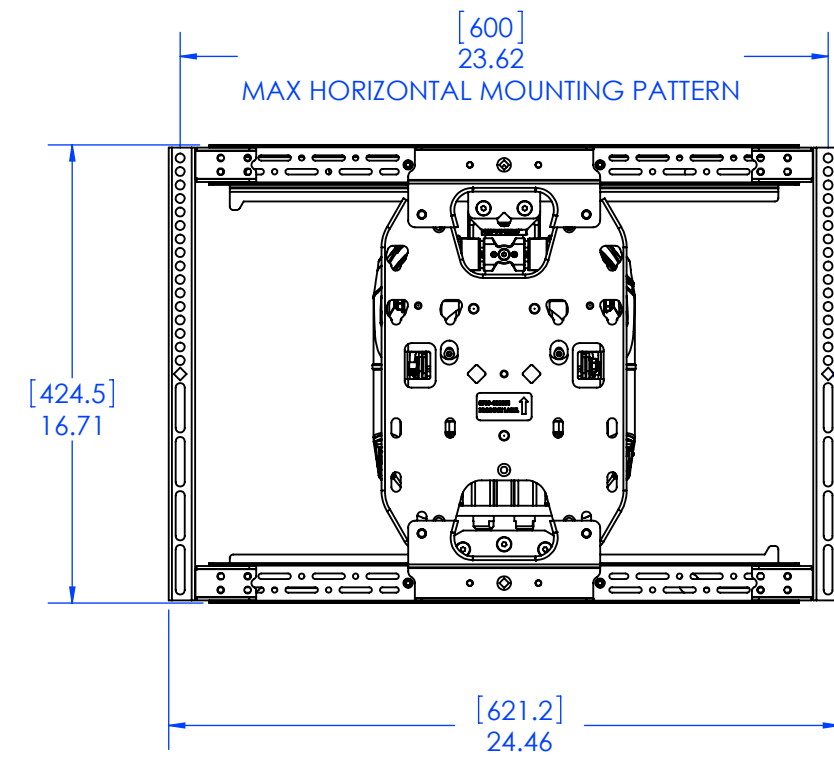
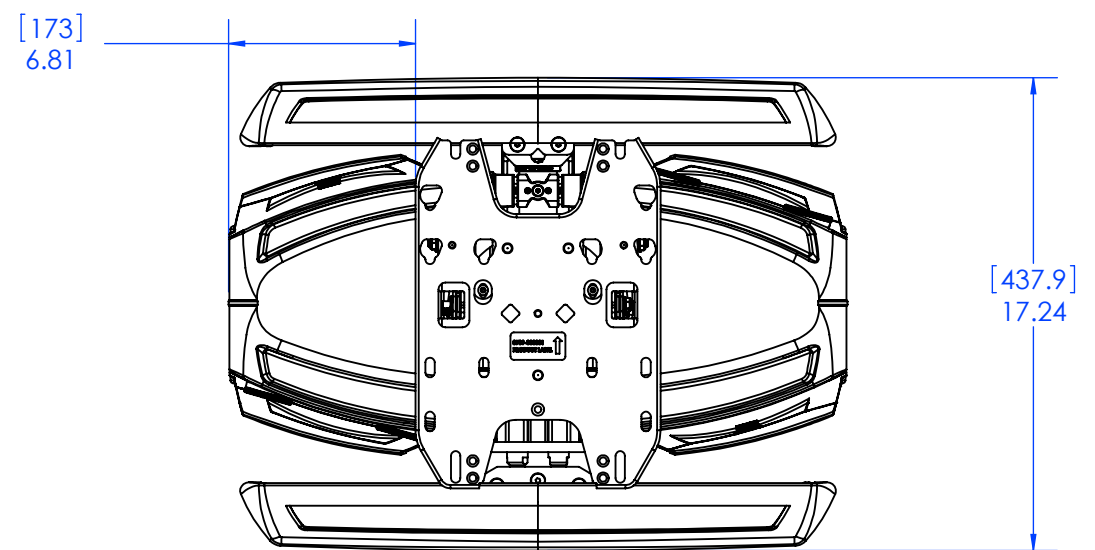
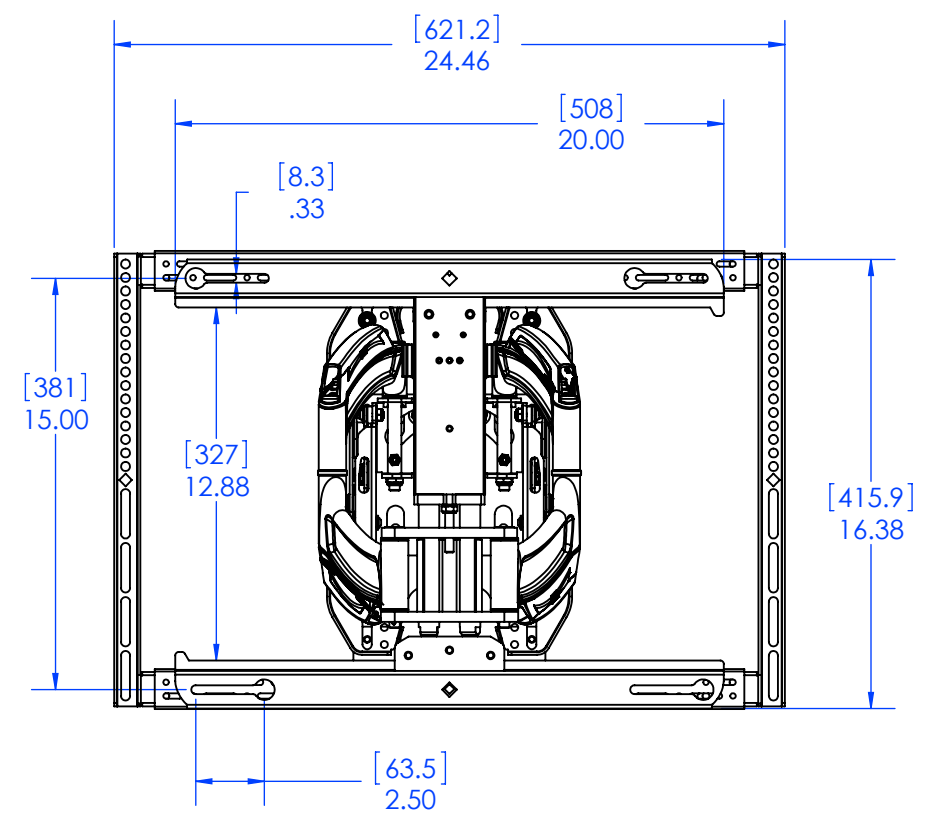


[45.7]  
1.8  
DEPTH  
[48.2]  
1.9  
WITH INTERFACE



ALIGN CENTER DIAMOND  
ON CENTER OF SCREEN

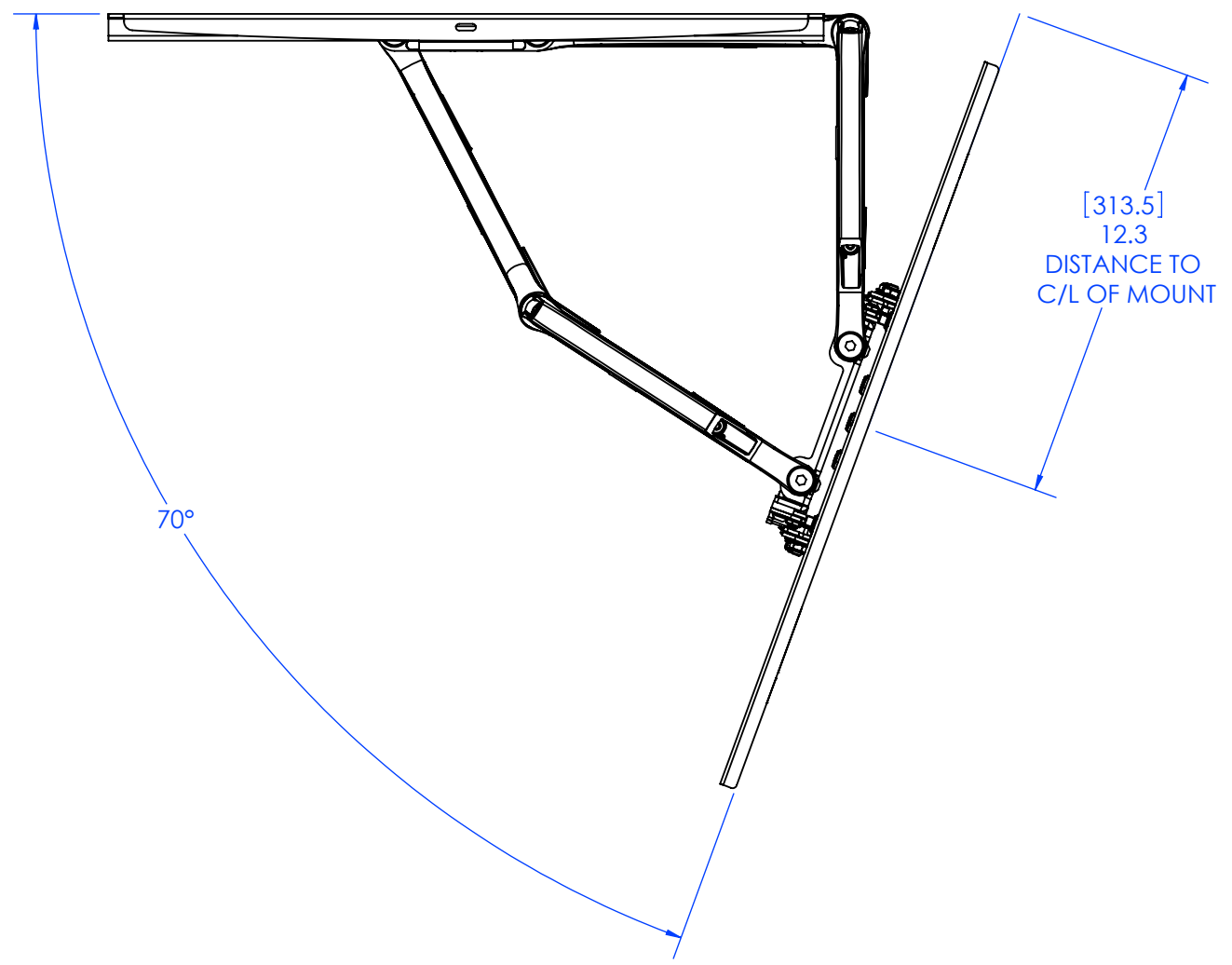
[400]  
15.75  
MAX VERTICAL MOUNTING PATTERN



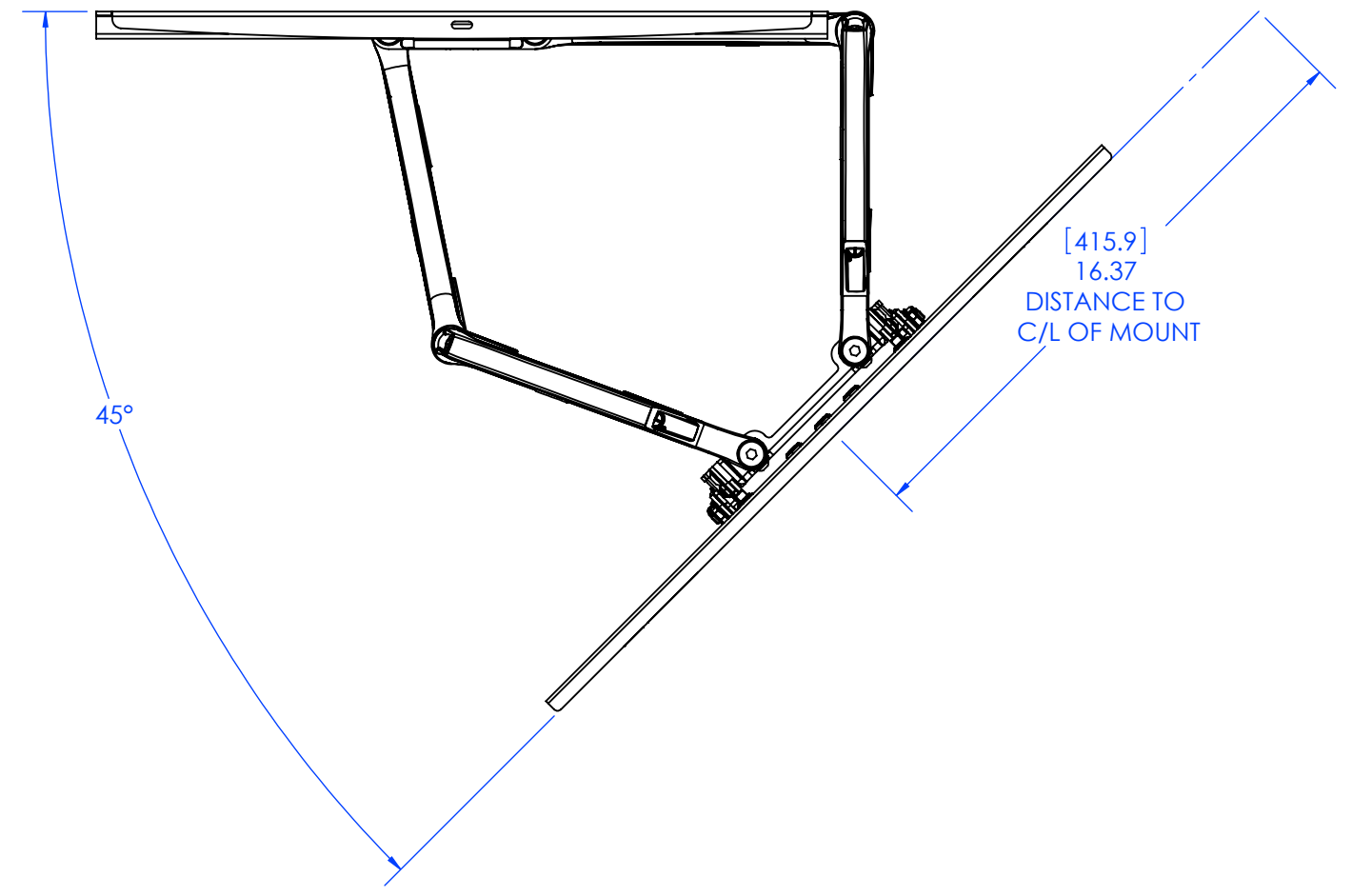
THE INFORMATION AND DESIGNS CONTAINED IN THIS DRAWING ARE CONFIDENTIAL AND THE PROPRIETARY PROPERTY OF MILESTONE AV TECHNOLOGIES NEITHER THIS DESIGN NOR ANY INFORMATION CONTAINED IN THIS DRAWING MAY BE REPRODUCED OR DISCLOSED TO OTHERS WITHOUT THE EXPRESS WRITTEN CONSENT OF MILESTONE AV TECHNOLOGIES.

CAD GENERATED DRAWING, DO NOT MANUALLY UPDATE.			<b>CHIEF</b>	6436 CITY WEST PKWY EDEN PRAIRIE MN, 55344 PHONE: 866-977-3901 FAX: 877-894-6918	
DRAWN BY	MW	4/11/2012		DESCRIPTION	<b>TS318TU</b>
ENG APPROVAL			MODEL NO.		
MFG APPROVAL			SCALE	SIZE	DWG. NO.
QA APPROVAL			SHEET 1 OF 2	1:7	B TECH-000035
					REV. 00

**MAXIMUM ANGLE**



**MAXIMUM CLEARANCE  
AT 45°**



**THE INFORMATION AND DESIGNS CONTAINED IN THIS DRAWING ARE CONFIDENTIAL AND THE PROPRIETARY PROPERTY OF MILESTONE AV TECHNOLOGIES NEITHER THIS DESIGN NOR ANY INFORMATION CONTAINED IN THIS DRAWING MAY BE REPRODUCED OR DISCLOSED TO OTHERS WITHOUT THE EXPRESS WRITTEN CONSENT OF MILESTONE AV TECHNOLOGIES.**

CAD GENERATED DRAWING, DO NOT MANUALLY UPDATE.			6436 CITY WEST PKWY EDEN PRAIRIE MN, 55344 PHONE: 866-977-3901 FAX: 877-894-6918
DRAWN BY	MW	4/11/2012	
ENG APPROVAL			DESCRIPTION
MFG APPROVAL			<b>TS318TU</b>
QA APPROVAL			MODEL NO.
SHEET 2 OF 2		SCALE 1:5	SIZE B
		DWG. NO. TECH-000035	REV. 00