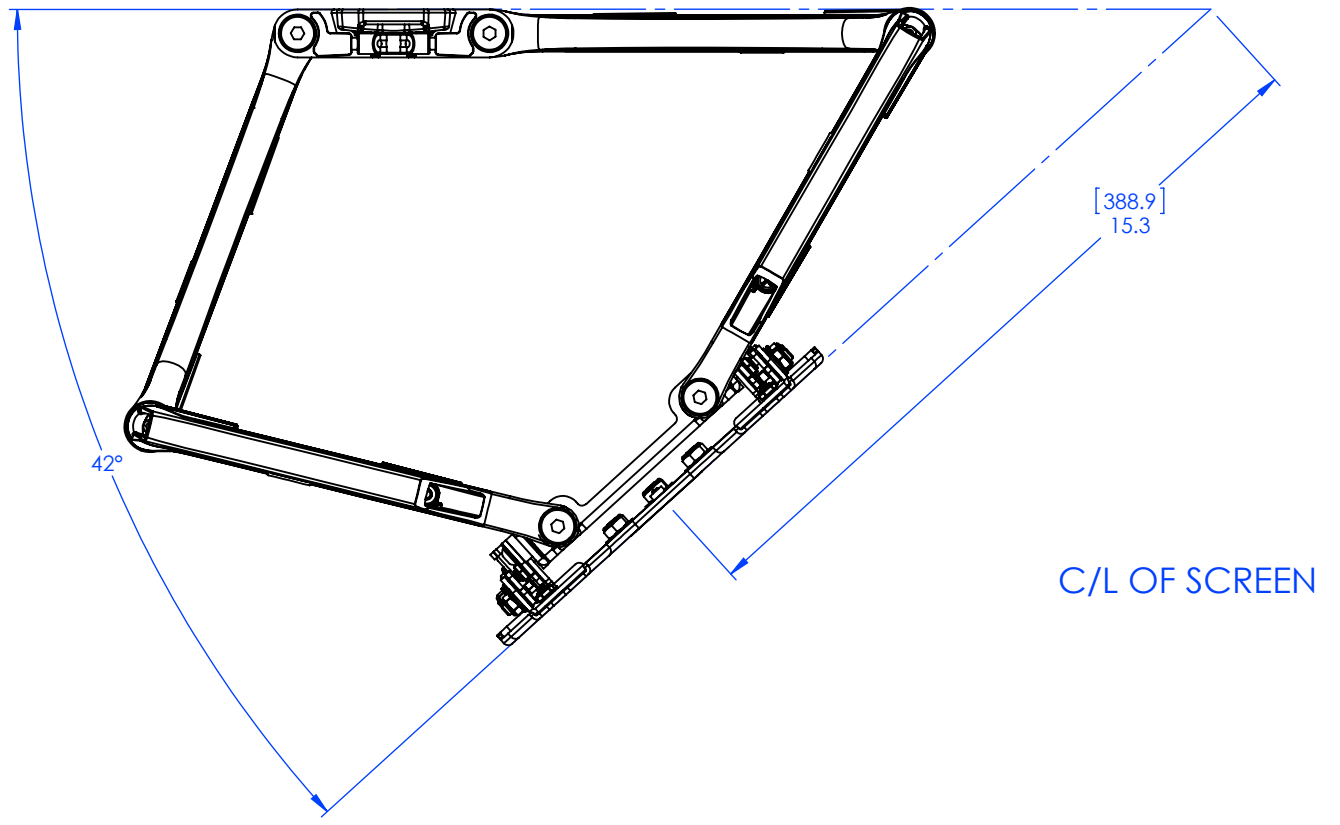
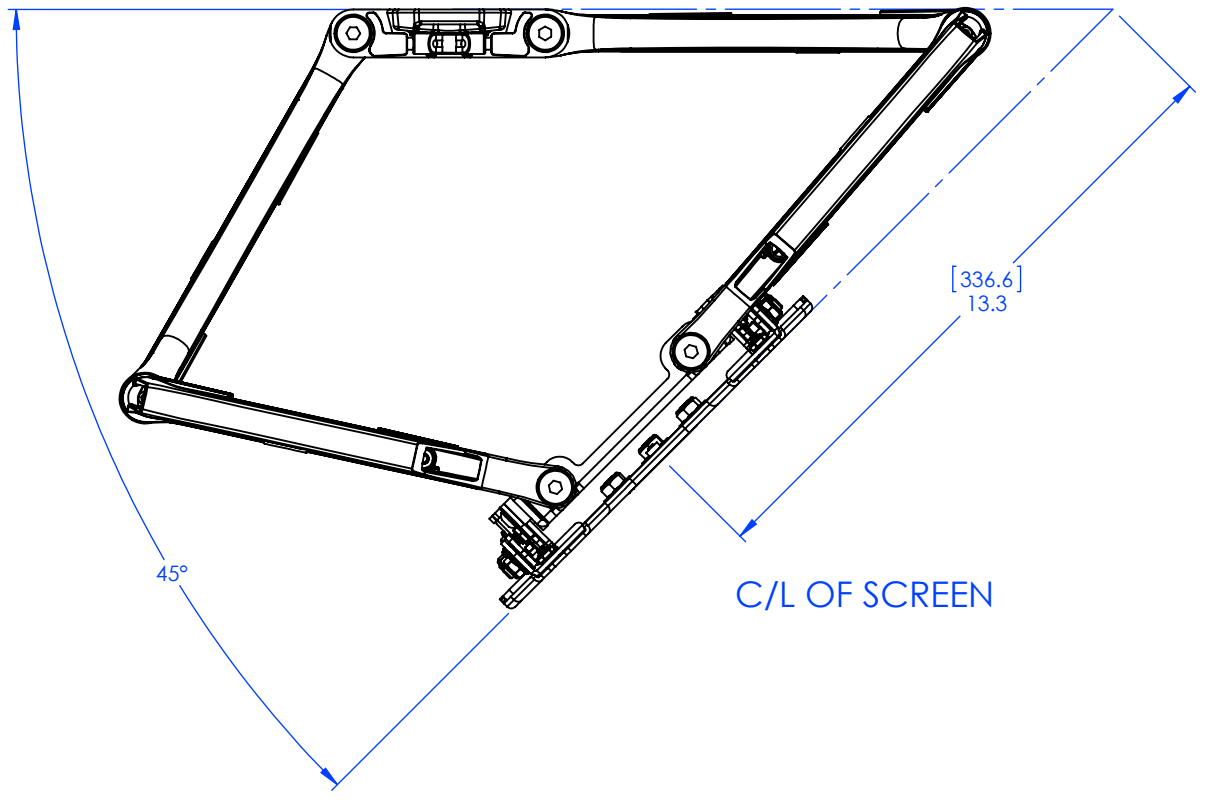
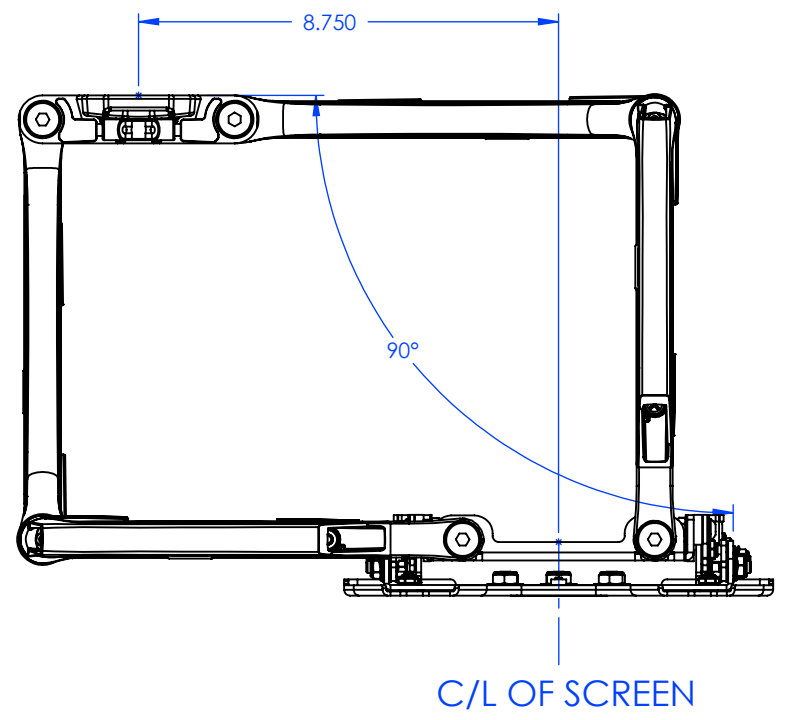


MAXIMUM WEIGHT CAPACITY
75 LBS. (34 KGS.)

THE INFORMATION AND DESIGNS CONTAINED IN THIS DRAWING ARE CONFIDENTIAL AND THE PROPRIETARY PROPERTY OF MILESTONE AV TECHNOLOGIES NEITHER THIS DESIGN NOR ANY INFORMATION CONTAINED IN THIS DRAWING MAY BE REPRODUCED OR DISCLOSED TO OTHERS WITHOUT THE EXPRESS WRITTEN CONSENT OF MILESTONE AV TECHNOLOGIES.

CAD GENERATED DRAWING, DO NOT MANUALLY UPDATE.		<p>6436 CITY WEST PKWY EDEN PRAIRIE MN, 55344 PHONE: 866-977-3901 FAX: 877-894-6918</p>
DRAWN BY	MW 4/26/2012	
ENG APPROVAL		DESCRIPTION
MFG APPROVAL		TS318SU
QA APPROVAL		MODEL NO.
SHEET 1 OF 2	SCALE 1:6	SIZE DWG. NO. TECH-000039
		REV. 01



THE INFORMATION AND DESIGNS CONTAINED IN THIS DRAWING ARE CONFIDENTIAL AND THE PROPRIETARY PROPERTY OF MILESTONE AV TECHNOLOGIES NEITHER THIS DESIGN NOR ANY INFORMATION CONTAINED IN THIS DRAWING MAY BE REPRODUCED OR DISCLOSED TO OTHERS WITHOUT THE EXPRESS WRITTEN CONSENT OF MILESTONE AV TECHNOLOGIES.

CAD GENERATED DRAWING, DO NOT MANUALLY UPDATE.			<p>6436 CITY WEST PKWY EDEN PRAIRIE MN, 55344 PHONE: 866-977-3901 FAX: 877-894-6918</p>		
DRAWN BY	MW	4/26/2012			
ENG APPROVAL			DESCRIPTION		
MFG APPROVAL			TS318SU		
QA APPROVAL			MODEL NO.		
SHEET 2 OF 2		SCALE	SIZE	DWG. NO.	REV.
		1:4	B	TECH-000039	01