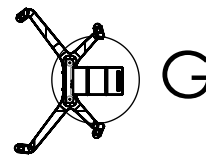
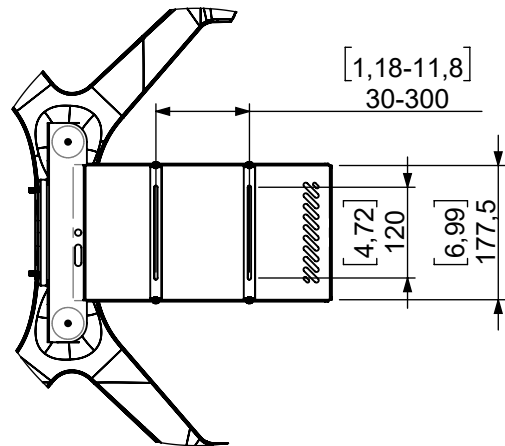
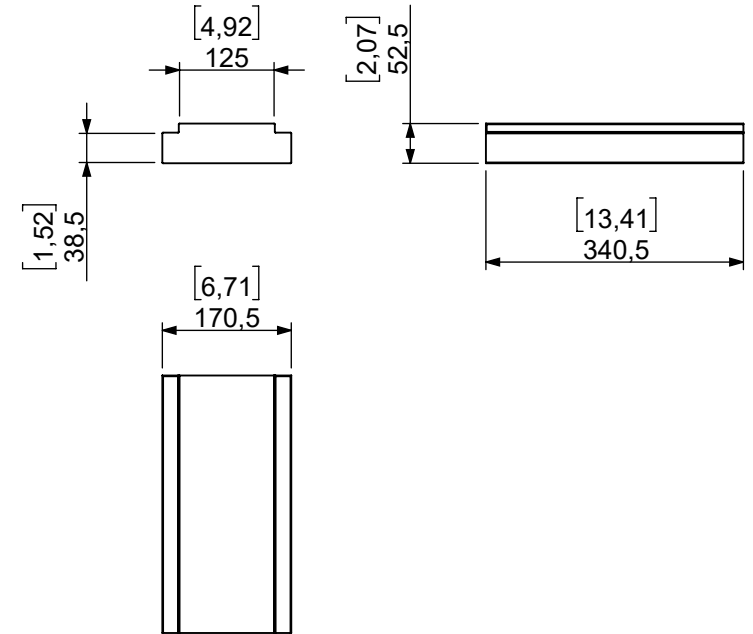
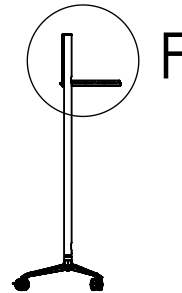
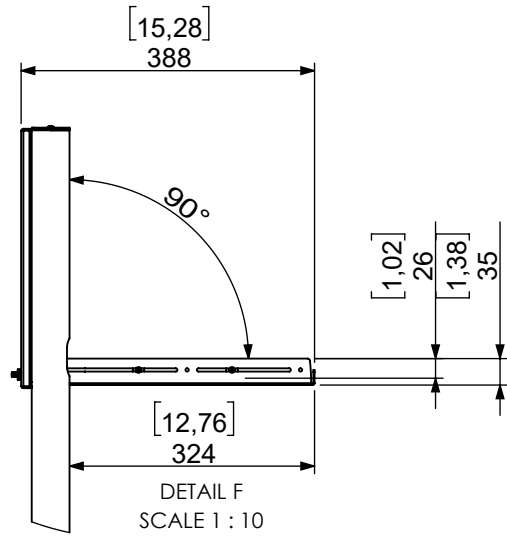
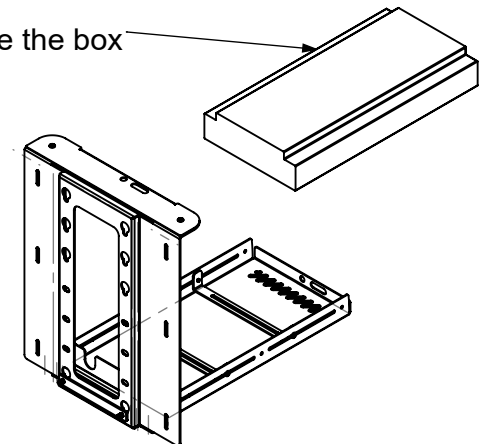


Technical drawing (mm/inch)  
10-005-2 / Tipster Media Compartment



Maximum space inside the box



DETAIL G  
SCALE 1 : 10