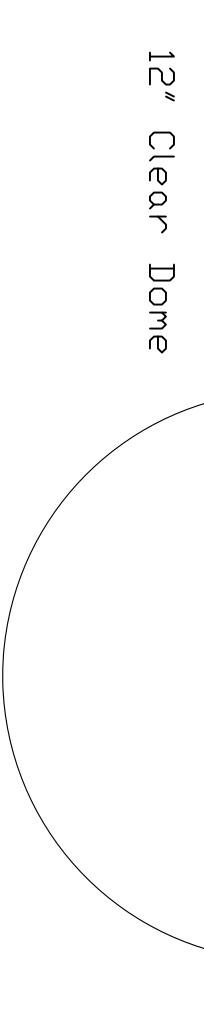
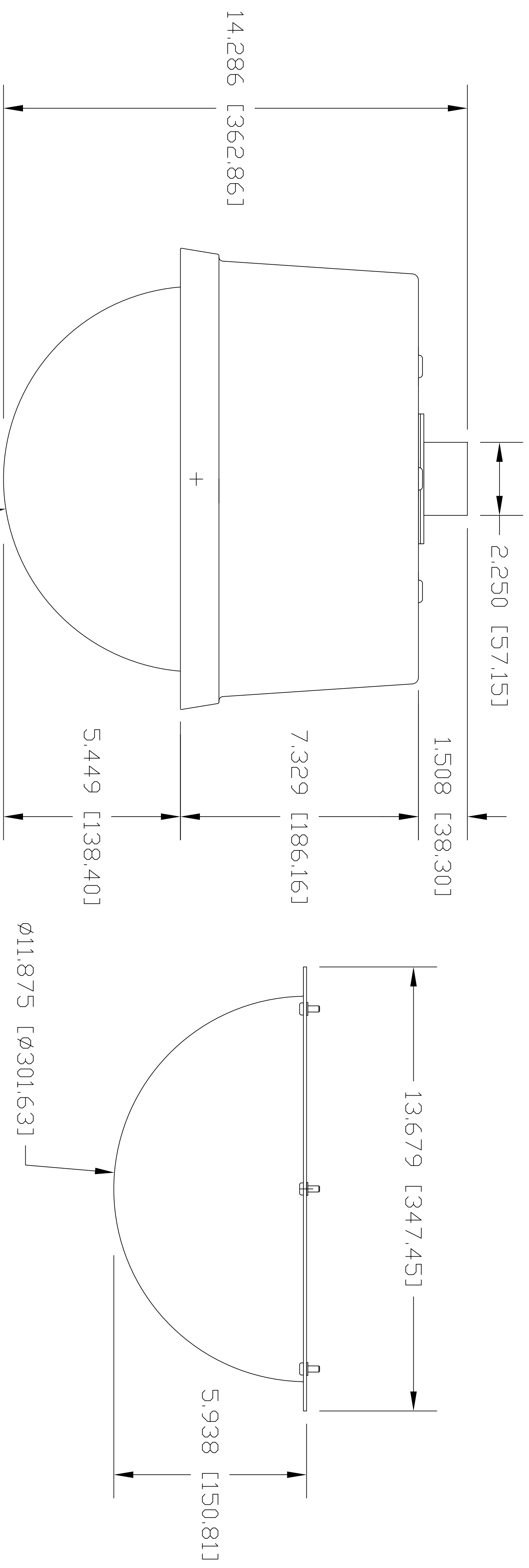
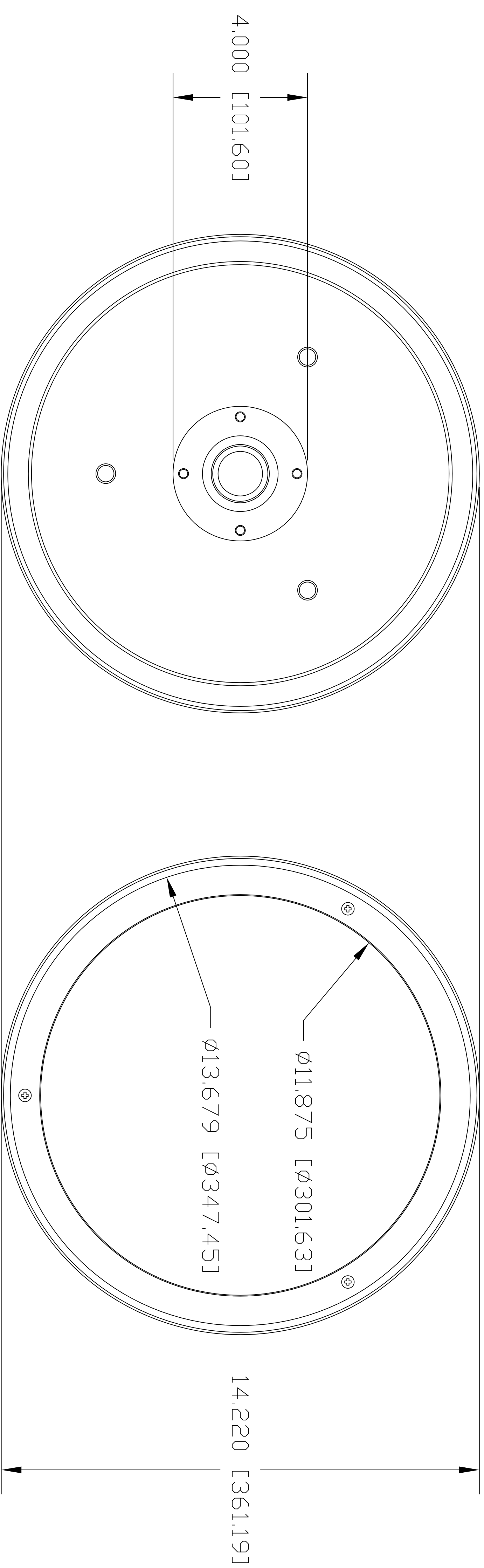
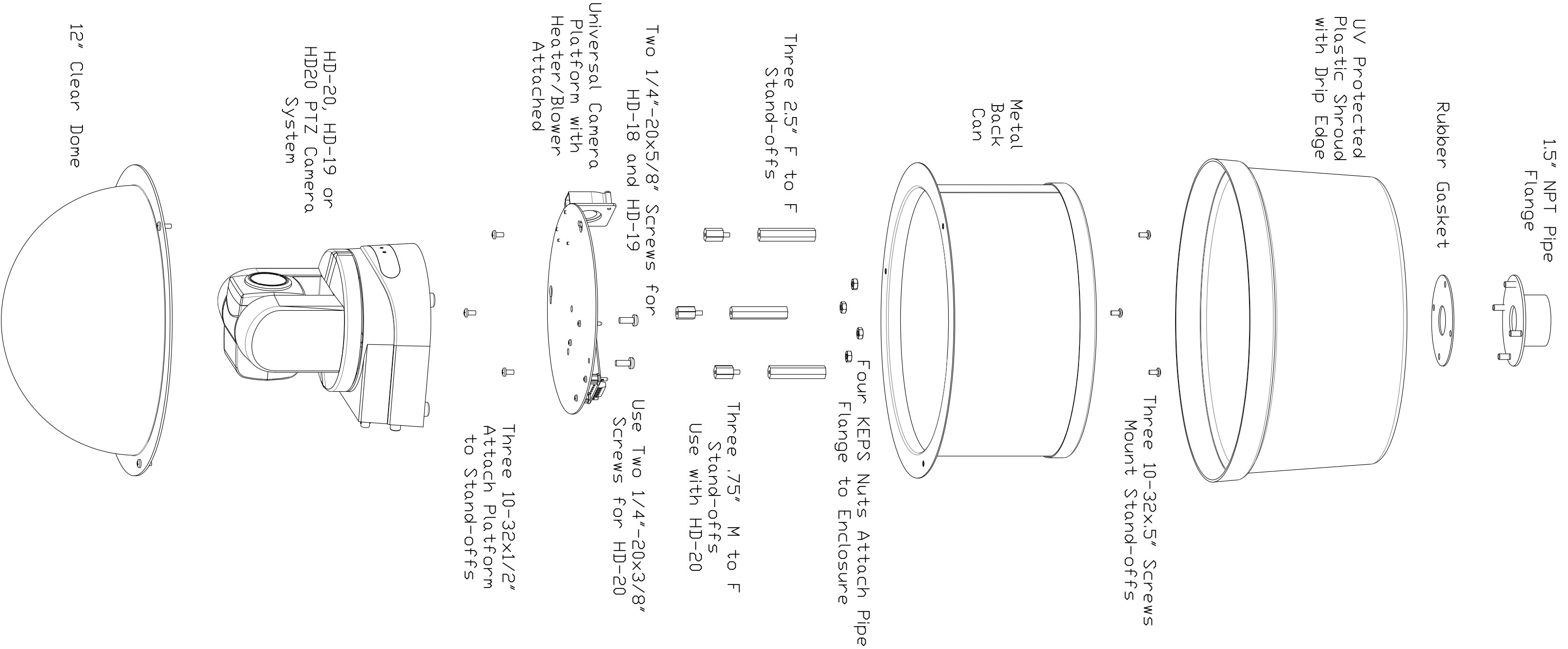


DomeVIEW HD Indoor Pendant Mount Dome - Explosion (no scale)



<b>vaddio</b>		GENERAL NOTES: DIMENSIONS ARE IN INCHES UNLESS OTHERWISE NOTED. DIMENSIONS SHOWN IN PARENTHESES ARE FOR REFERENCE ONLY. ALL DIMENSIONS ARE TO UNLESS OTHERWISE SPECIFIED. SPECIFICATIONS WITHOUT PRIOR NOTICE OR DERIVATION.	
998-9200-200 DomeVIEW HD Outdoor Weather-Resistant Pendant Mount Dome			
FOR HD-18, HD-19 and HD-20 Vaddio PTZ Cameras			
DRAWN	CHECKED	APPROVED	DATE
RAR	RAR	RAR	05/24/11
THIS DRAWING, INCLUDING ALL SUBJECT MATTERS INDICATED THEREON OR DERIVED THEREFROM, IS THE PROPERTY OF VADDIO. IT IS TO BE USED FOR THE PROJECT AND SITE SPECIFICALLY IDENTIFIED HEREIN. ALL RIGHTS RESERVED. NO PART OF THIS DRAWING IS TO BE REPRODUCED OR TRANSMITTED IN ANY FORM OR BY ANY MEANS, ELECTRONIC OR MECHANICAL, INCLUDING PHOTOCOPYING, RECORDING, OR BY ANY INFORMATION STORAGE AND RETRIEVAL SYSTEM, WITHOUT PERMISSION IN WRITING FROM VADDIO.			
TOLERANCES - CAST PART	VARIABLE GAUGE	SCALE	DRAWING NO.
BLACK FIDUCIALS - R&D 866-94		1:2	9200-200
COMMENTS	Material Conversion Indicator (MCI) - NOT INCLUDED	SIZE	REV
		D	A