

IN-WALL STORAGE WHERE & WHEN YOU WANT IT

PROXIMITY STORAGE SOLUTIONS

Chief engineers talked to customers like you about in-wall boxes and your biggest headaches on the construction site. Then they designed in-wall boxes to solve those headaches with multiple depth and ordering options.

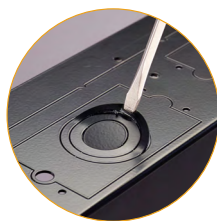
Now, Chief and Middle Atlantic engineering teams partnered to incorporate patented Lever Lock™ technology into new storage accessories. The result are enhanced Proximity® storage solutions. Middle Atlantic's Forward accessories for small device mounting work seamlessly with Lever Lock plates to make installation easier and faster.

Proximity in-wall boxes feature multi-level, multi-sectioned Lever Lock plates, making it easier to arrange components in all three dimensions of the storage space. Installers can hide power bricks behind the backplane with equipment mounted to the front. This also helps work around difficult port locations on AV equipment.

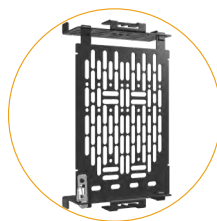
Chief Proximity storage solutions are ideal for standardizing deployment of AV component configurations across large rollouts.



BREAK AWAY EDGES



EASIER
KNOCKOUTS



LEVER LOCK
PLATE ANCHOR POINTS

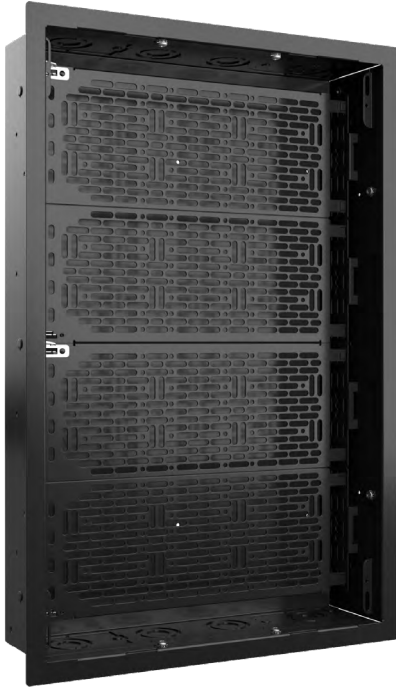


DRYWALL
MOUNTABLE

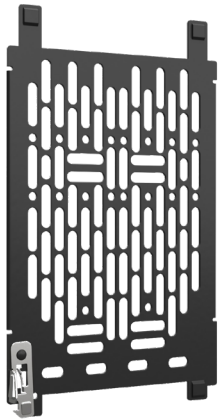


PAINTABLE
FLANGES & COVERS

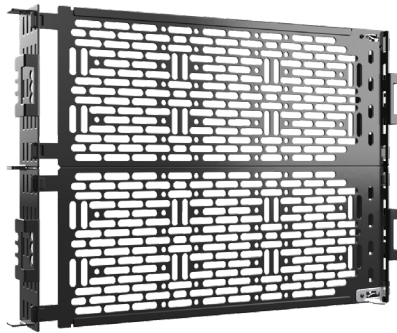
PROXIMITY STORAGE SOLUTIONS



PAC527LF



PACL1



PACL2

IN-WALL STORAGE SOLUTIONS

- Break away edges to change box depth for 3.5" or 2.5" stud bays (89 or 64 mm)
- Separate and/or pre-configured ordering options for box, flange and cover to coincide with the timing of installation in the field
- Ample space to hold big components such as commonly used video scalers
- Packaging that also serves as a wall template and temporary construction cover
- Easier knockouts to quickly customize the box to specific needs on site
- Lever Lock plates with small device universal hole mounting pattern
- Cover includes breakaway knockouts for cable routing and ventilation as well as tamper proof security
- Black or white flanges and covers, paintable to blend with any environment
- Install behind any Chief wall mount

ORDERING OPTIONS

You can order boxes, flanges and covers in various pre-configured combinations or separately. You asked us to help provide you with the pieces you need, when you need them. You got it. See your ordering options below.

PAC525
9 x 14.25 x 3.9"
(229 x 362 x 99 mm)

Model	In-Wall Box	Black Flange	Black Cover	White Flange	White Cover	Power Outlets
PAC525	X					
PAC525F	X	X				
PAC525F-G	X	X				
PAC525FBP2	X	X				X
PAC525FW	X			X		
PAC525FWP2	X			X		X
PAC525FC	X	X	X			
PAC525FCW	X			X	X	
PAC525F-KIT		X				
PAC525FW-KIT				X		
PAC525CVR-KIT			X			
PAC525CVRW-KIT					X	
PAC525P2-KIT						X

PAC526
14.25 x 14.25 x 3.9"
(362 x 362 x 99 mm)

Model	In-Wall Box	Black Flange	Black Cover	White Flange	White Cover	Power Outlets
PAC526	X					
PAC526F	X	X				
PAC526F-G	X	X				
PAC526FBP2	X	X				X
PAC526FBP4	X	X				X
PAC526FBP6	X	X				X
PAC526FW	X			X		
PAC526FWP2	X			X		X
PAC526FWP4	X			X		X
PAC526FWP6	X			X		X
PAC526FC	X	X	X			
PAC526FCW	X			X	X	
PAC526F-KIT		X				
PAC526FW-KIT				X		
PAC526CVR-KIT			X			
PAC526CVRW-KIT					X	
PAC526P2-KIT						X
PAC526P4-KIT						X
PAC526P6-KIT						X

PAC527
14.25 x 22 x 3.9"
(362 x 559 x 99 mm)

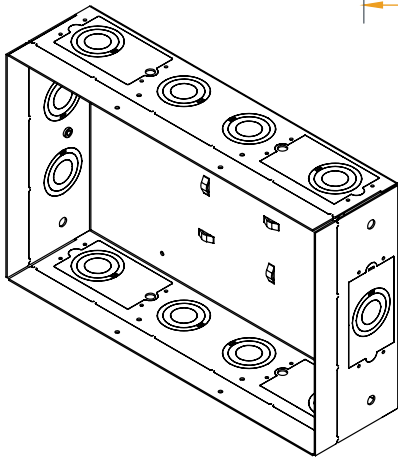
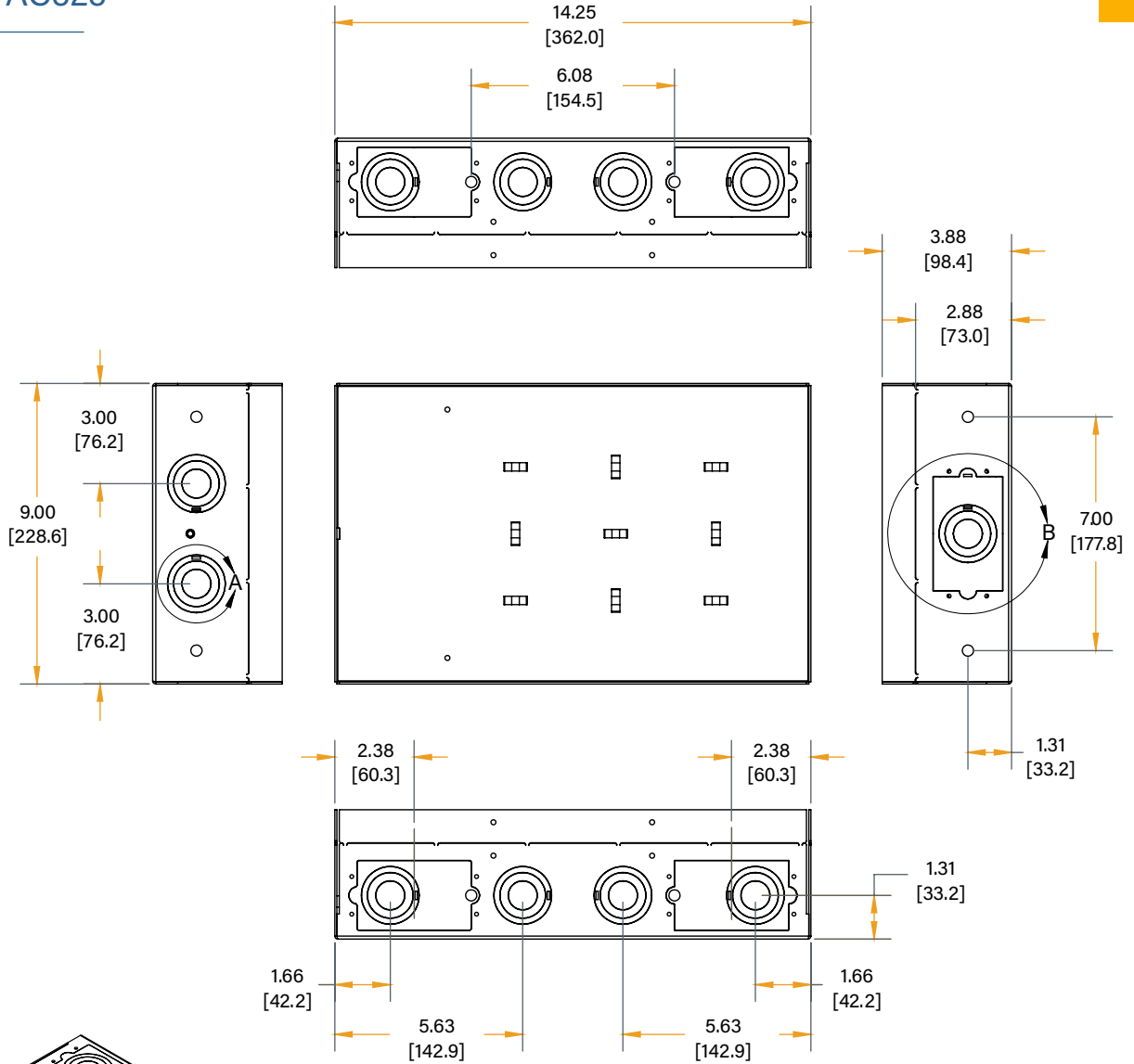
Model	In-Wall Box	Black Flange	Black Cover	White Flange	White Cover	Power Outlets
PAC527L	X					
PAC527LF	X	X				
PAC527LFW	X			X		
PAC527LFC	X	X	X			
PAC527LFCW	X			X	X	
PAC527LFBP4	X	X				X
PAC527LFBP6	X	X				X
PAC527LFWP4	X			X		X
PAC527LFWP6	X			X		X
PAC527F-KIT		X				
PAC527FW-KIT				X		
PAC527CVR-KIT			X			
PAC527CVRW-KIT					X	
PAC527P4-KIT						X
PAC527P6-KIT						X

LEGRAND | AV COMMERCIAL BRANDS

A brand of  legrand

C2G | Chief | Da-Lite | Luxul | Middle Atlantic | Vaddio | Wiremold

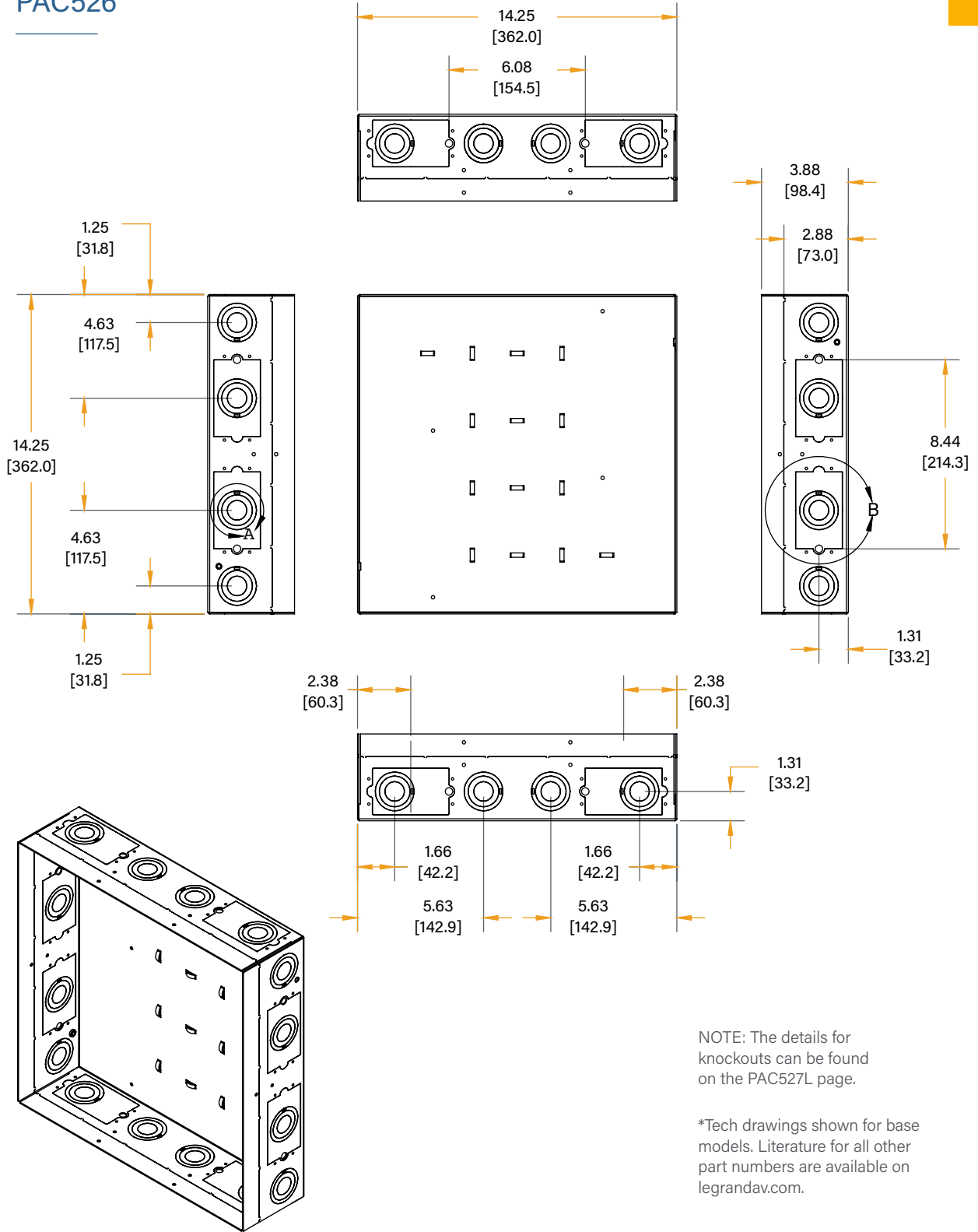
PAC525



NOTE: The details for knockouts can be found on the PAC527L page.

*Tech drawings shown for base models. Literature for all other part numbers are available on legrandav.com.

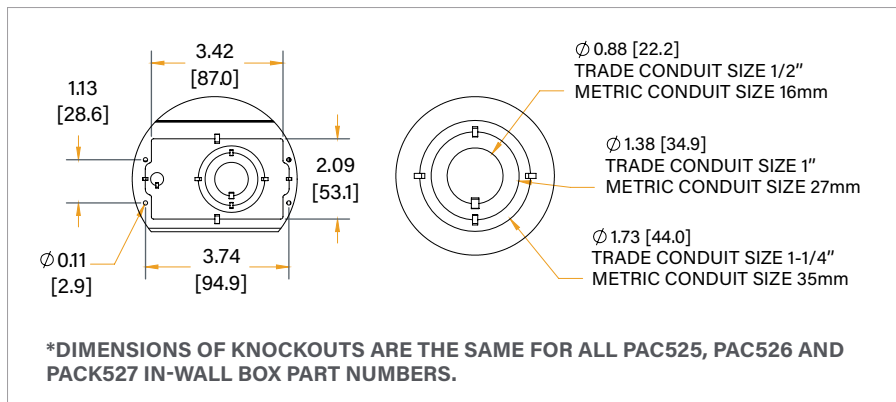
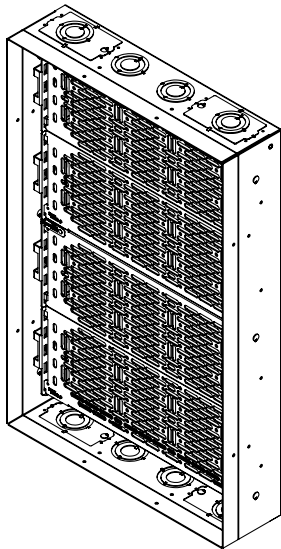
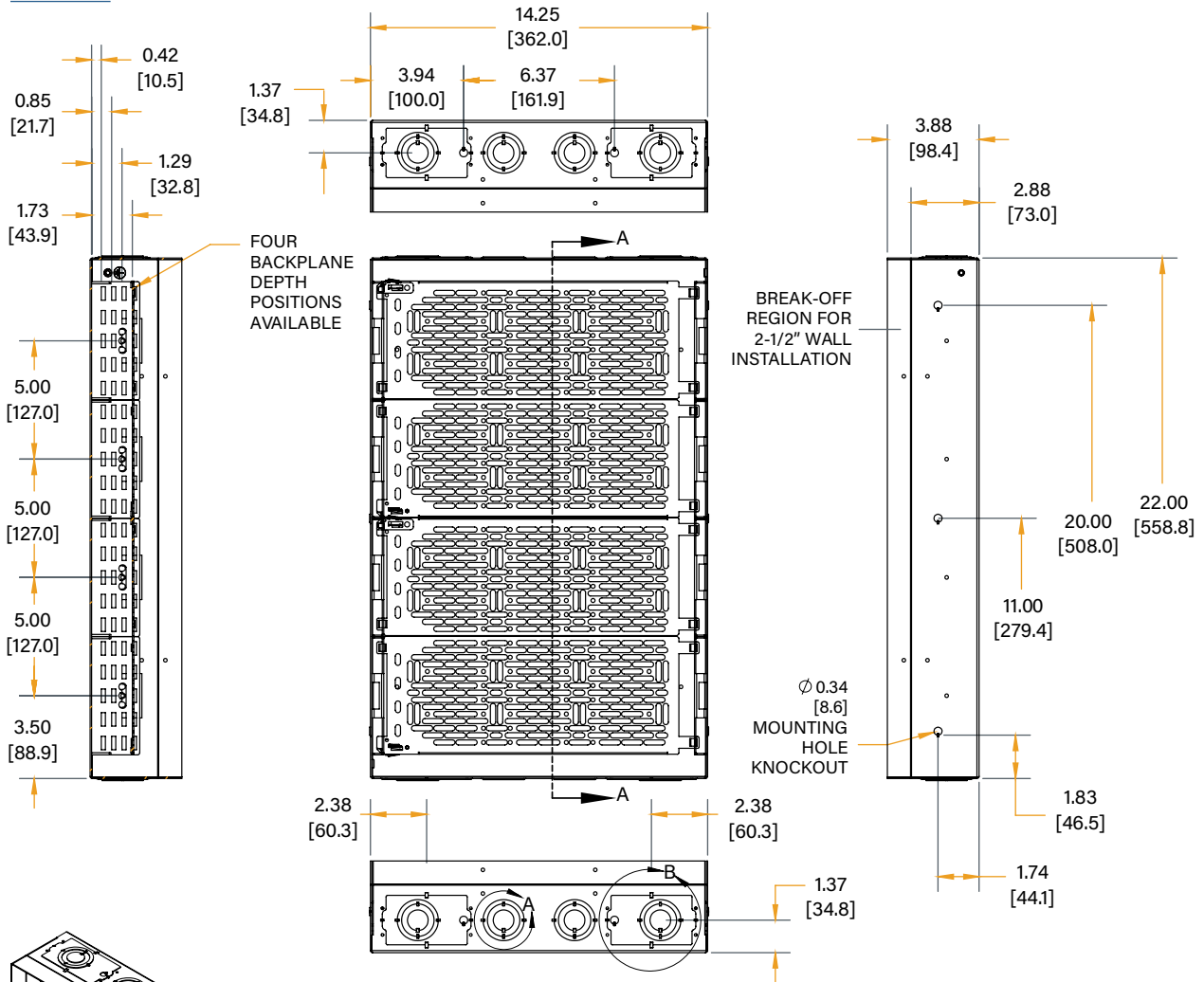
PAC526



NOTE: The details for knockouts can be found on the PAC527L page.

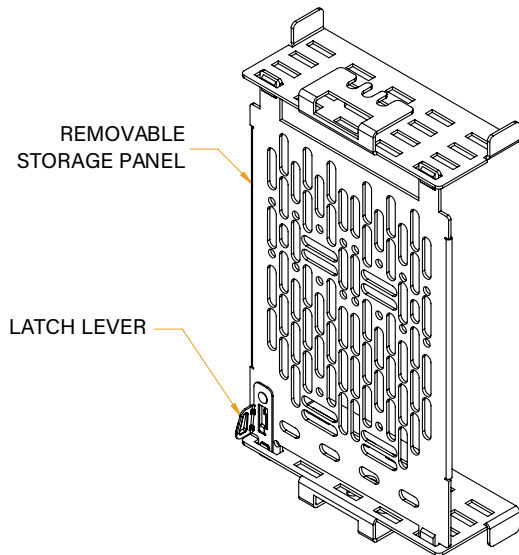
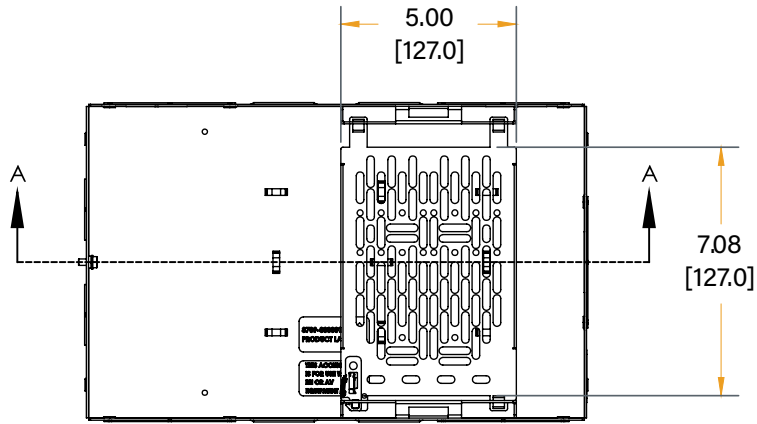
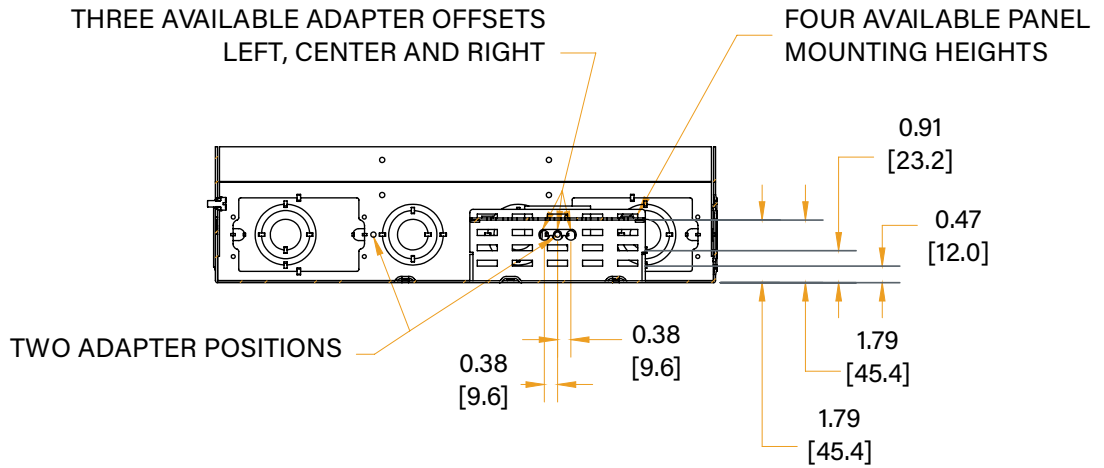
*Tech drawings shown for base models. Literature for all other part numbers are available on legrandav.com.

PAC527L



*Tech drawings shown for base models. Literature for all other part numbers are available on legrand.com.

PACL1



NOTE: PAC525 in-wall box is shown, but not included with PACL1.

PACL2

PACL2 IS INCLUDED WITH THE PAC527L SERIES IN-WALL BOXES.

