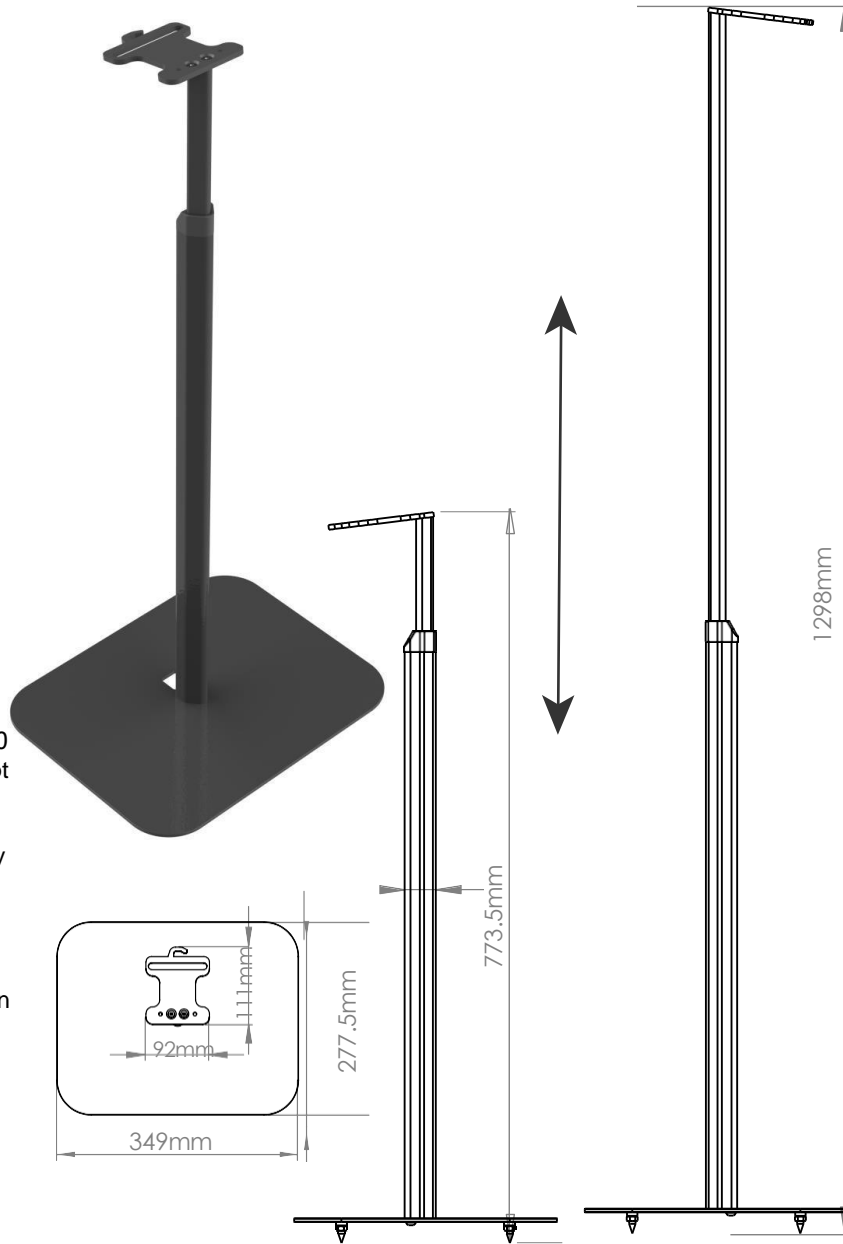


## Era300-AFSX2 **2 x Essentials Adjustable Floor Stands for Sonos Era 300**



The Flexson Essentials Adjustable Floor Stands for Sonos Era 300 can hold the speaker at a range of heights, allowing them to adapt to a range of potential Sonos set-ups. Whether you need to hold your speakers lower or higher than a standard floor stand would, the Flexson Essentials Adjustable Floor Stands are ready to serve, in style.

They come in a twin pack: ideal for setting your speakers up as a stereo pair or as the left/right rear speakers in a surround-sound set-up with a Sonos Arc, Beam, Ray, Sub or Sub-Mini. The Flexson Essentials Adjustable Floor stands are high-quality and designed in the UK. They are easy to set-up and adjust and include neat cable management. Just like the speakers themselves, they are available in black and white finishes.

- Bespoke design securely holds the Sonos Era 300
- Height adjustable for perfect alignment
- Perfect for use in a 5.1 surround sound set-up with a Sonos Arc, Beam, Ray, Sub or Sub-Mini
- Quick and easy assembly
- Includes adjustable carpet spikes and sound isolating feet for wood/tiled floors
- Clever cable management to keep things tidy
- Available in black or white to perfectly match the Sonos Era 300
- Constructed from high-grade laser cut steel
- Designed in the UK

	White		Black	
Product Code	FLXE300AFS2011		FLXE300AFS2021	
UPC Number	5057964003603		5057964003610	
UK, European and US (SRP)	£199.99	€219.99	\$219.99	
Product Specifications	Height	Width	Depth	Weight
Product Size (mm)	1298mm(max)	349mm	277.5mm	5.8KG
Carton Dimensions (mm)	745mm	290mm	51mm	4.6KG
Carton Contents	2 x Floor Stands and Instructions			
Country of Manufacture	China	Outer Carton Quantity		4