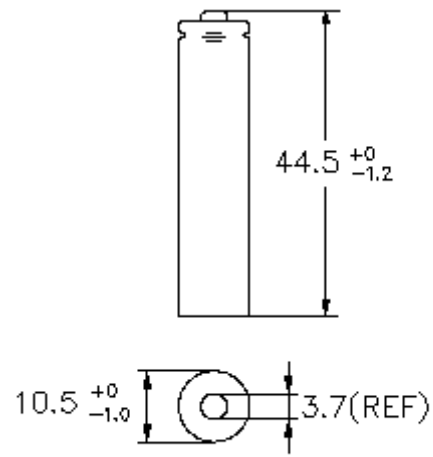


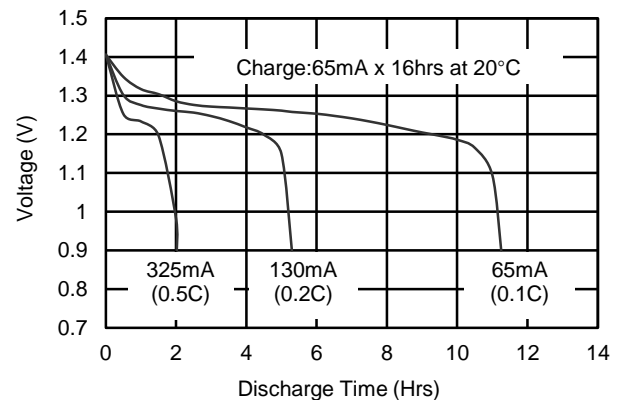
## DATA SHEET

Model No.: GP65AAAHC

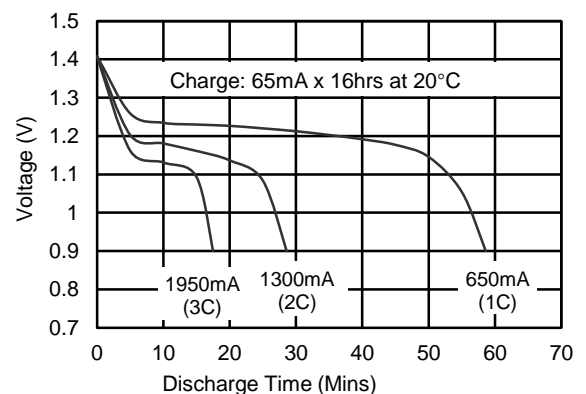
<b>Type</b>	Rechargeable Nickel Metal Hydride Cylindrical Cell
<b>Nominal Dimension (with Sleeve)</b>	Diameter = 10.5mm Height = 44.5mm
<b>Applications</b>	Recommended discharge current 65 to 1950mA
<b>Nominal Voltage</b>	1.2V
<b>Capacity</b>	Rated: 650mAh Typical: 730mAh When discharged at 130mA to 1.0V at 20°C
<b>Charging Condition</b>	65mA for 16 hrs at 20°C
<b>Charge Retention</b>	80% of rated capacity after cell storage at 20°C for 12 months When discharged at 130mA to 1.0V at 20°C
<b>Fast Charge</b>	325mA to 650mA (0.5 to 1C) charge termination control recommended control parameters: -ΔV : 0-5mV DT/dt : 0.8°C/min (0.5 to 0.9C) 0.8 - 1°C/min (1C) TCO : 45 - 50°C Timer : 105% nominal input (for ref. only)
<b>Service Life</b>	>500 cycles (IEC61951-2(2017) 7.5.1.2)
<b>Continuous Overcharge</b>	65mA maximum current for 1 year. No conspicuous deformation and/or leakage
<b>Weight</b>	13.0g
<b>Internal Resistance</b>	Average 40mΩ upon fully charged (Max. 60mΩ) at 1000Hz
<b>Max. Charge Voltage</b>	1.5V at 65mA charging
<b>Ambient Temperature Range</b>	Standard Charge: 0 to 45°C Fast Charge: 10 to 45°C Discharge: -20 to 50°C Storage: -20 to 35°C Storage(1week): -20 to 60°C



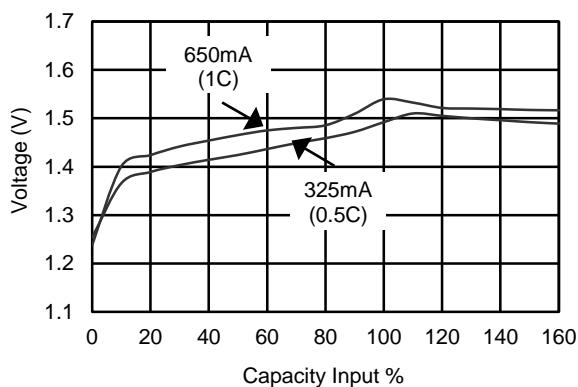
### Low Rate Discharge



### High Rate Discharge



### Fast Charge (Charge Control Required)



The above information is generally descriptive only and is not intended as guarantee or warranty. Cell and battery specifications are subject to change without notice. All descriptions or warranties are contained solely in specification sheets accompanying outside those described in this document.

TRS0708 rev.07