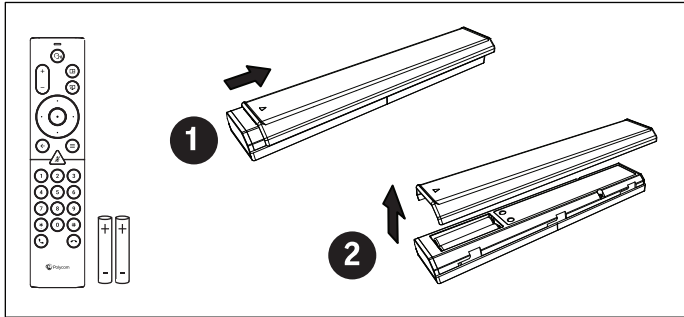


# Poly Remote Control



## Pair a Remote Control

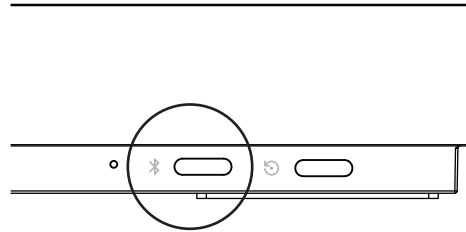
Out of the box, your remote control is paired with the Poly G7500 system, so no setup is required. To use a different remote control or to pair with the Poly Studio X30 or Poly Studio X50 system, you must pair it with the system.

The system doesn't support multiple remote controls. You can pair only one at a time.

### Procedure

1 Depending on your system, do one of the following:

- (Poly G7500 only) On the front of the system, press the Bluetooth  button.



- (All systems) In the system web interface, go to **General Settings > Remote Control** and select **Start Discovery Mode**.
- 2 Follow the instructions on the pairing screen.  
The screen displays either a successful or unsuccessful pairing notification.
- 3 Depending on the pairing result, do one of the following:
- **Successful pairing:** The remote control is ready to use. You can view the remote control name, battery level, and status of the device in the system web interface.
  - **Unsuccessful pairing:** Try the following solutions:
    - Remove the batteries from the remote control and reinsert after five seconds.
    - Move your remote control closer to the system than other remote controls and try to pair again.

[www.polycom.com/support](http://www.polycom.com/support)

